

Reykjavik Judo Open 23. Jan. 2016 Reykjavík W -63

Competitors: 5

Competitors

#	Name	Club	1	2	3	4	5	Wins	Pts	Pos
1	Ingunn SIGURÐARDÓTTIR	ISL			10	10		2	20	3
2	Louise HANSEN	DEN	10		10	10		3	30	2
3	Berenika BERNAT	ISL						0	0	5
4	Corinna ANKLAM	GER			10			1	10	4
5	CLEMENCE EME	FRA	10	10	10	10		4	40	1

Matches

Match	White		Blue		Result	Time
1	Corinna ANKLAM	4	5	CLEMENCE EME	0 - 10	0:06
2	Ingunn SIGURÐARDÓTTIR	1	2	Louise HANSEN	0 - 10	1:16
3	Berenika BERNAT	3	4	Corinna ANKLAM	0 - 10	1:26
4	Ingunn SIGURÐARDÓTTIR	1	5	CLEMENCE EME	0 - 10	0:37
5	Louise HANSEN	2	3	Berenika BERNAT	10 - 0	0:32
6	Ingunn SIGURÐARDÓTTIR	1	4	Corinna ANKLAM	10 - 0	1:21
7	Berenika BERNAT	3	5	CLEMENCE EME	0 - 10	0:14
8	Louise HANSEN	2	4	Corinna ANKLAM	10 - 0	0:54
9	Ingunn SIGURÐARDÓTTIR	1	3	Berenika BERNAT	10 - 0	0:59
10	Louise HANSEN	2	5	CLEMENCE EME	0 - 10	3:30

Results

Pos	Name
1	CLEMENCE EME, FRA
2	Louise HANSEN, DEN
3	Ingunn SIGURÐARDÓTTIR, ISL
4	Corinna ANKLAM, GER
5	Berenika BERNAT, ISL

Reykjavik Judo Open 23. Jan. 2016 Reykjavík W -70

Competitors: 6

Competitors A

#	Name	Club	1	2	3	Wins	Pts	Pos
1	Nete DEHLENDORFF	DEN		10		1	10	2
2	Edda TÓMASDÓTTIR	ISL				0	0	3
3	Viard GWENAELLE	FRA	10	10		2	20	1

Matches A

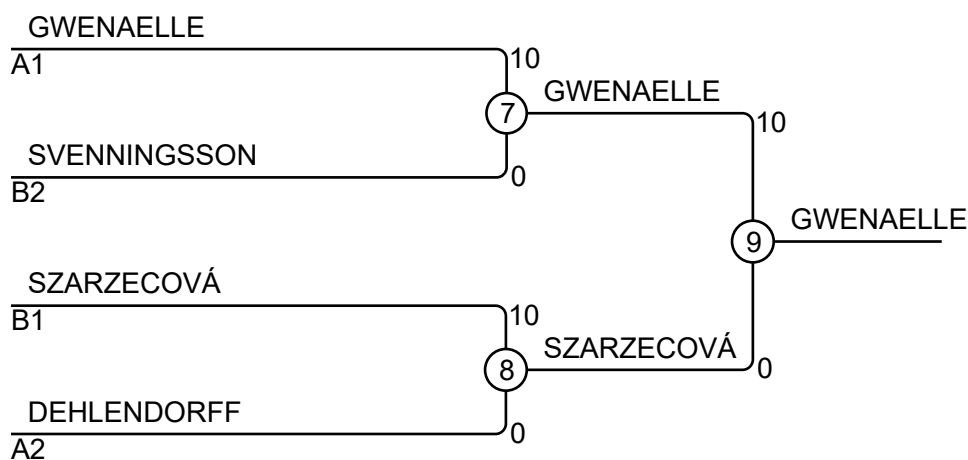
Match	White	Blue	Result	Time
1	Nete DEHLENDORFF 1 2	Edda TÓMASDÓTTIR	10 - 0	2:02
3	Nete DEHLENDORFF 1 3	Viard GWENAELLE	0 - 10	5:00
5	Edda TÓMASDÓTTIR 2 3	Viard GWENAELLE	0 - 10	0:09

Competitors B

#	Name	Club	4	5	6	Wins	Pts	Pos
4	Evelina SVENNINGSSON	SWE			10	1	10	2
5	Adéla SZARZECOVÁ	CZE	5		10	2	15	1
6	Hjördís ÓLAFSDÓTTIR	ISL				0	0	3

Matches B

Match	White	Blue	Result	Time
2	Evelina SVENNINGSSON 4 5	Adéla SZARZECOVÁ	0 - 5	5:00
4	Evelina SVENNINGSSON 4 6	Hjördís ÓLAFSDÓTTIR	10 - 0	2:04
6	Adéla SZARZECOVÁ 5 6	Hjördís ÓLAFSDÓTTIR	10 - 0	2:16



Results

Pos	Name
1	Viard GWENAELLE, FRA
2	Adéla SZARZECOVÁ, CZE
3	Evelina SVENNINGSSON, SWE
3	Nete DEHLENDORFF, DEN

Reykjavik Judo Open 23. Jan. 2016 Reykjavík M -60

Competitors: 4

Competitors

#	Name	Club	1	2	3	4	Wins	Pts	Pos
1	Dofri BRAGASON	ISL		10	5	10	3	25	1
2	Dánjal KRÁKUSTEINI	FAR			7		1	7	3
3	Ægir BALDVINSSON	ISL					0	0	4
4	Bárður LENVIG	FAR		10	7		2	17	2

Matches

Match	White		Blue		Result	Time
1	Dofri BRAGASON	1	2	Dánjal KRÁKUSTEINI	10 - 0	2:16
2	Ægir BALDVINSSON	3	4	Bárður LENVIG	0 - 7	5:00
3	Dofri BRAGASON	1	3	Ægir BALDVINSSON	5 - 0	5:00
4	Dánjal KRÁKUSTEINI	2	4	Bárður LENVIG	0 - 10	4:06
5	Dofri BRAGASON	1	4	Bárður LENVIG	10 - 0	1:07
6	Dánjal KRÁKUSTEINI	2	3	Ægir BALDVINSSON	7 - 0	5:00

Results

Pos	Name
1	Dofri BRAGASON, ISL
2	Bárður LENVIG, FAR
3	Dánjal KRÁKUSTEINI, FAR
4	Ægir BALDVINSSON, ISL

Reykjavik Judo Open 23. Jan. 2016 Reykjavík M -66

Competitors: 5

Competitors

#	Name	Club	1	2	3	4	5	Wins	Pts	Pos
1	Bjarni SIGFÚSSON	ISL			10	10		2	20	3
2	FRANCK VERNEZ	FRA	10		10	10	10	4	40	1
3	Arnar BJÖRNSSON	ISL				10		1	10	4
4	Moïse BONGRAND	FRA						0	0	5
5	Bartłomiej GARBACIK	POL	10		10	10		3	30	2

Matches

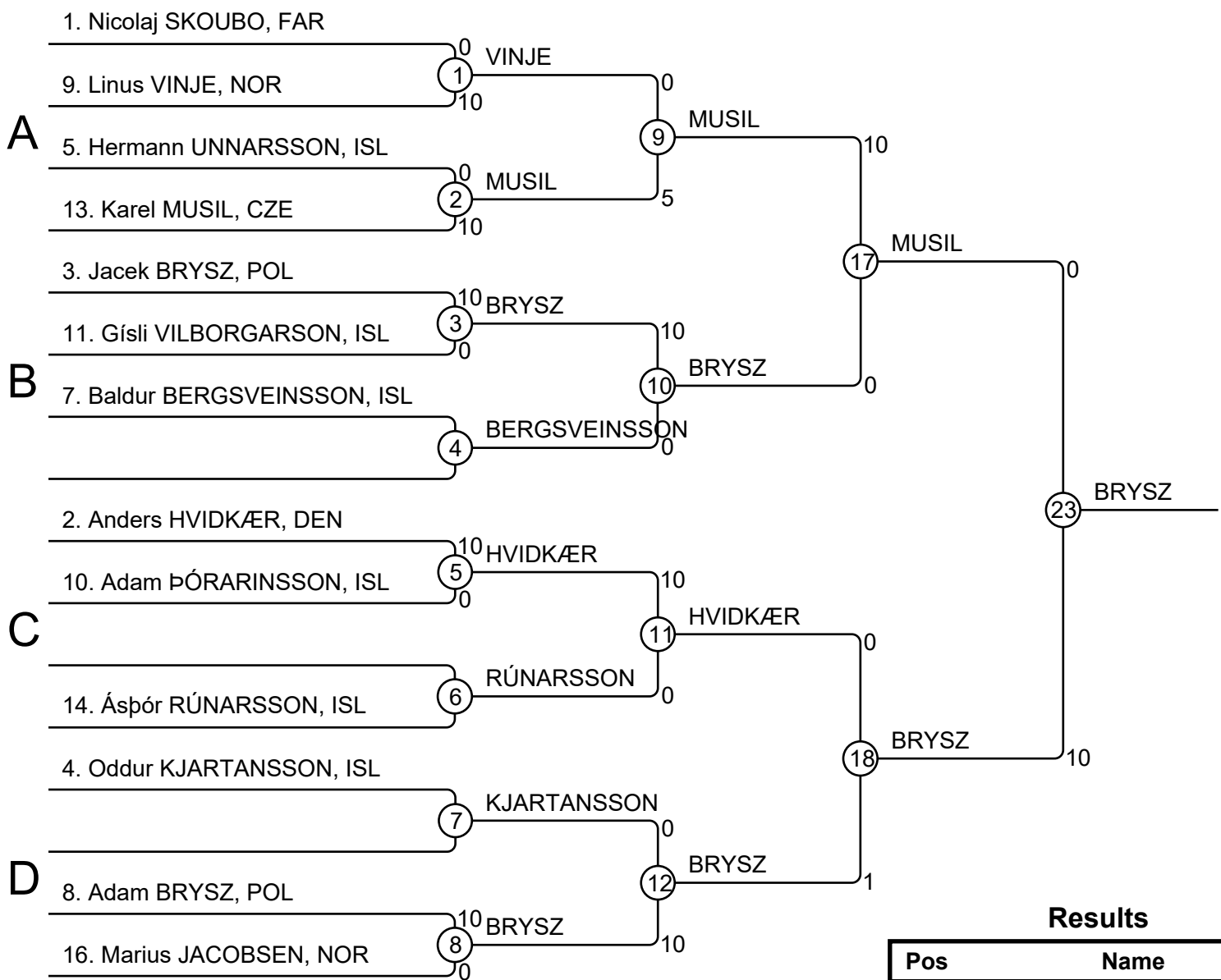
Match	White		Blue		Result	Time
1	Moïse BONGRAND	4	5	Bartłomiej GARBACIK	0 - 10	0:33
2	Bjarni SIGFÚSSON	1	2	FRANCK VERNEZ	0 - 10	0:43
3	Arnar BJÖRNSSON	3	4	Moïse BONGRAND	10 - 0	2:24
4	Bjarni SIGFÚSSON	1	5	Bartłomiej GARBACIK	0 - 10	1:26
5	FRANCK VERNEZ	2	3	Arnar BJÖRNSSON	10 - 0	0:16
6	Bjarni SIGFÚSSON	1	4	Moïse BONGRAND	10 - 0	0:10
7	Arnar BJÖRNSSON	3	5	Bartłomiej GARBACIK	0 - 10	2:16
8	FRANCK VERNEZ	2	4	Moïse BONGRAND	10 - 0	0:00
9	Bjarni SIGFÚSSON	1	3	Arnar BJÖRNSSON	10 - 0	4:02
10	FRANCK VERNEZ	2	5	Bartłomiej GARBACIK	10 - 0	3:45

Results

Pos	Name
1	FRANCK VERNEZ, FRA
2	Bartłomiej GARBACIK, POL
3	Bjarni SIGFÚSSON, ISL
4	Arnar BJÖRNSSON, ISL
5	Moïse BONGRAND, FRA

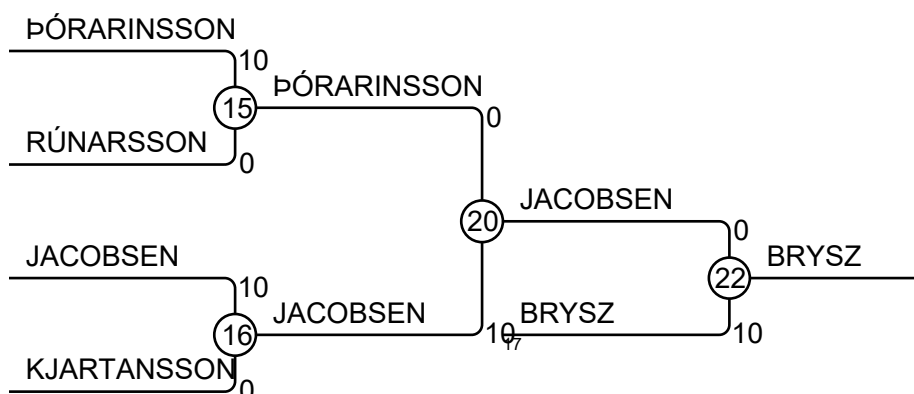
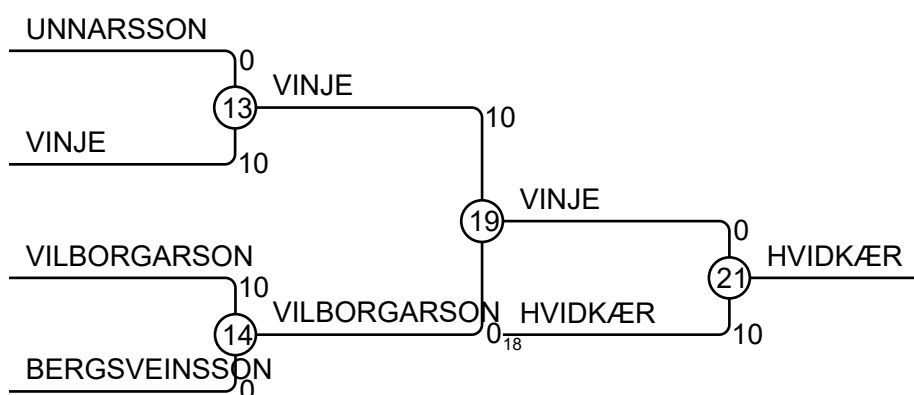
Reykjavik Judo Open 23. Jan. 2016 Reykjavík M -73

Competitors: 13



Results

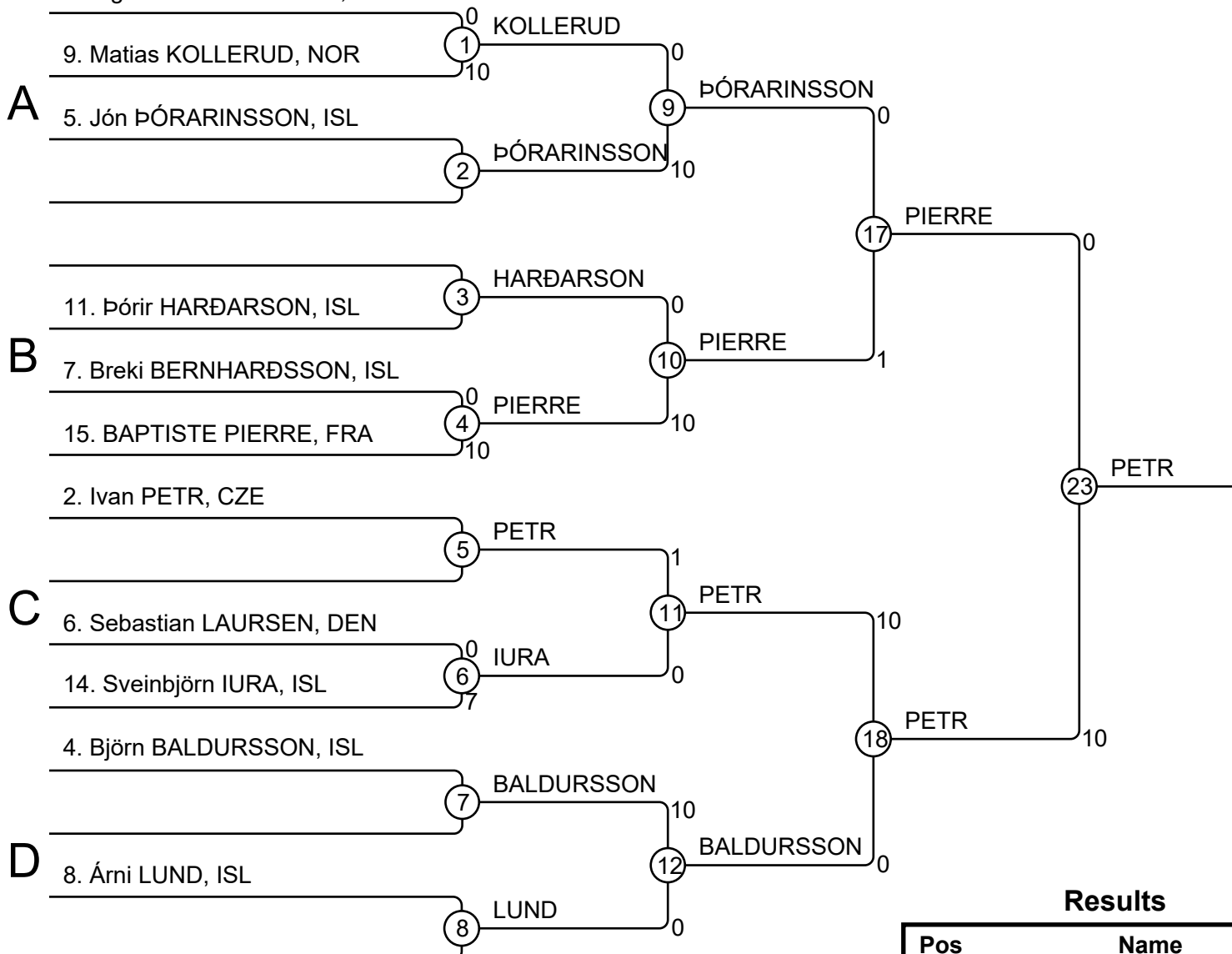
Pos	Name
1	Adam BRYSZ, POL
2	Karel MUSIL, CZE
3	Anders HVIDKÆR, DEN
3	Jacek BRYSZ, POL
5	Linus VINJE, NOR
5	Marius JACOBSEN, NOR
7	Gísli VILBORGARSON, ISL
7	Adam ÞÓRARINSSON, ISL



Reykjavik Judo Open 23. Jan. 2016 Reykjavík M -81

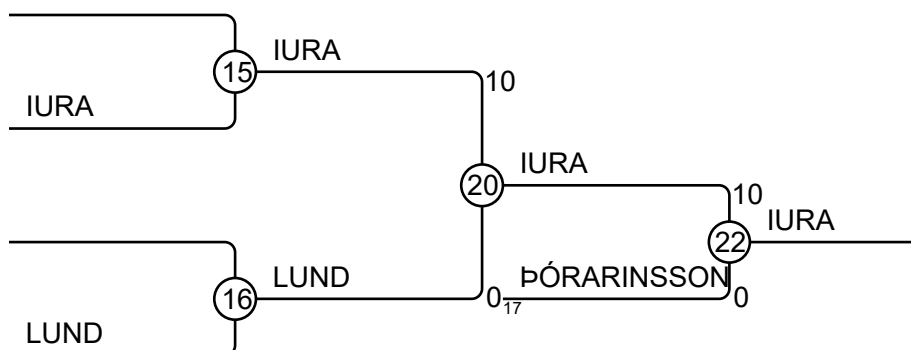
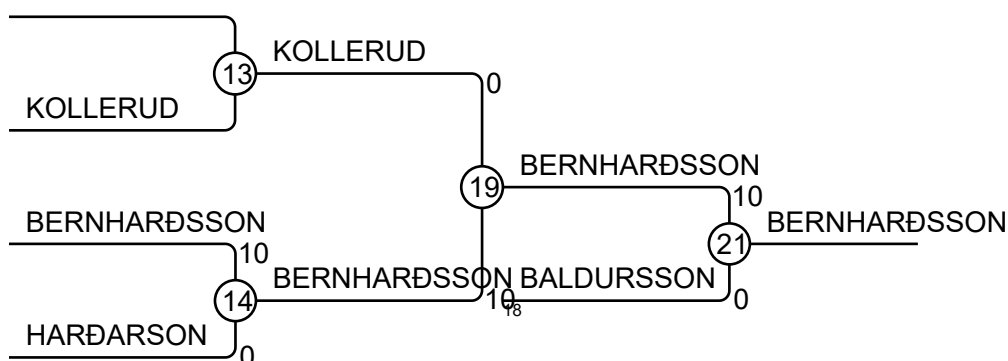
Competitors: 11

1. Sigmundur JOHANSEN, FAR



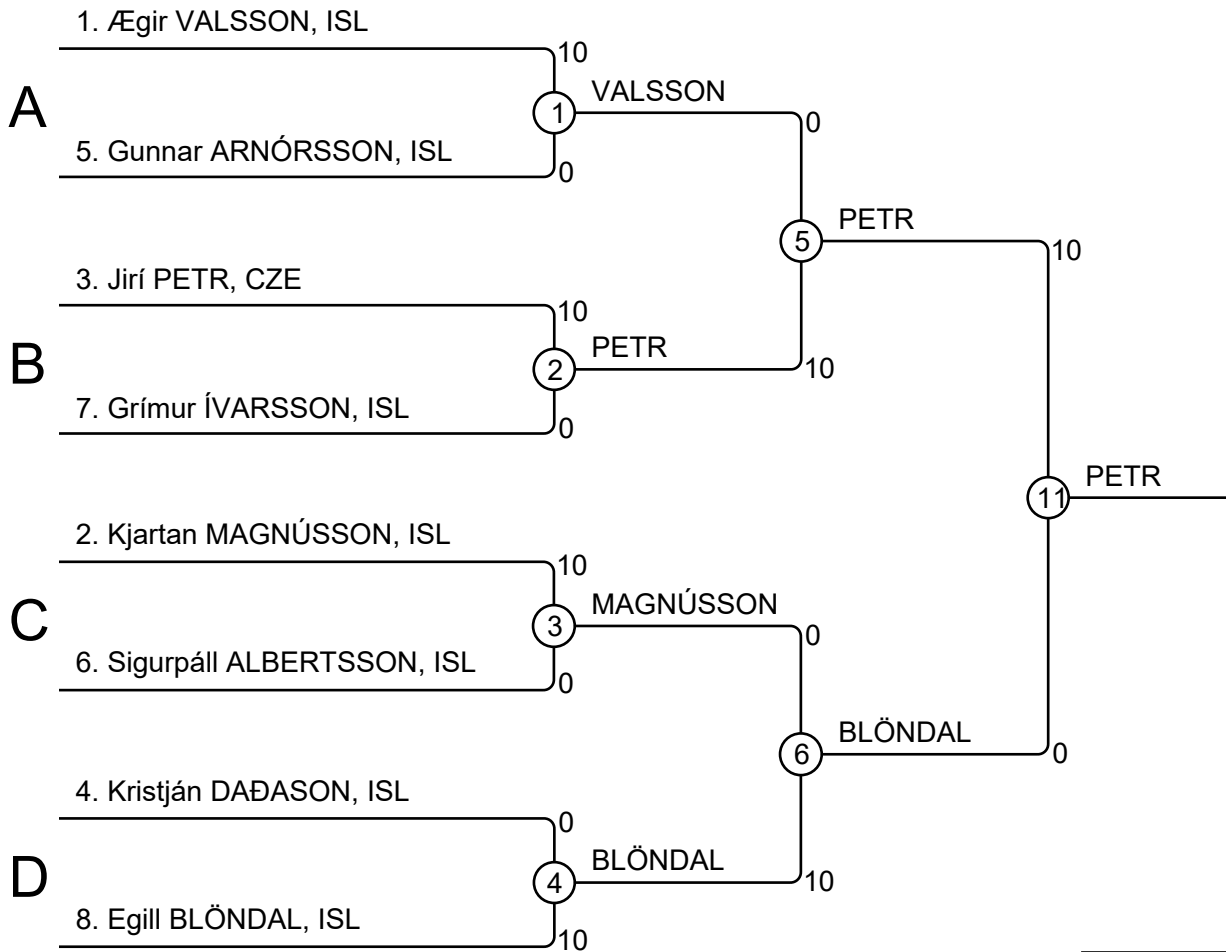
Results

Pos	Name
1	Ivan PETR, CZE
2	BAPTISTE PIERRE, FRA
3	Breki BERNHARÐSSON, ISL
3	Sveinbjörn IURA, ISL
5	Björn BALDURSSON, ISL
5	Jón ÞÓRARINSSON, ISL
7	Matias KOLLERUD, NOR
7	Árni LUND, ISL



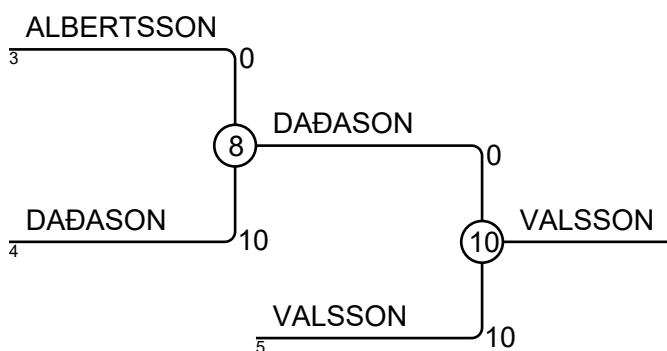
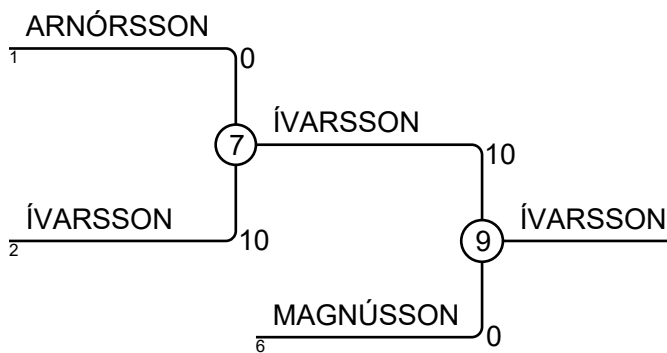
Reykjavik Judo Open 23. Jan. 2016 Reykjavík M -90

Competitors: 8



Results

Pos	Name
1	Jirí PETR, CZE
2	Egill BLÖNDAL, ISL
3	Grímur ÍVARSSON, ISL
3	Ægir VALSSON, ISL
5	Kjartan MAGNÚSSON, ISL
5	Kristján DAÐASON, ISL
7	Gunnar ARNÓRSSON, ISL
7	Sigurpáll ALBERTSSON, ISL



Reykjavik Judo Open 23. Jan. 2016 Reykjavík M +100

Competitors: 6

Competitors A

#	Name	Club	1	2	3	Wins	Pts	Pos
1	Adrián INGIMUNDARSON	ISL		10		1	10	2
2	Arnar VIÐARSSON	ISL				0	0	3
3	Piotr SZAREK	POL	10	10		2	20	1

Matches A

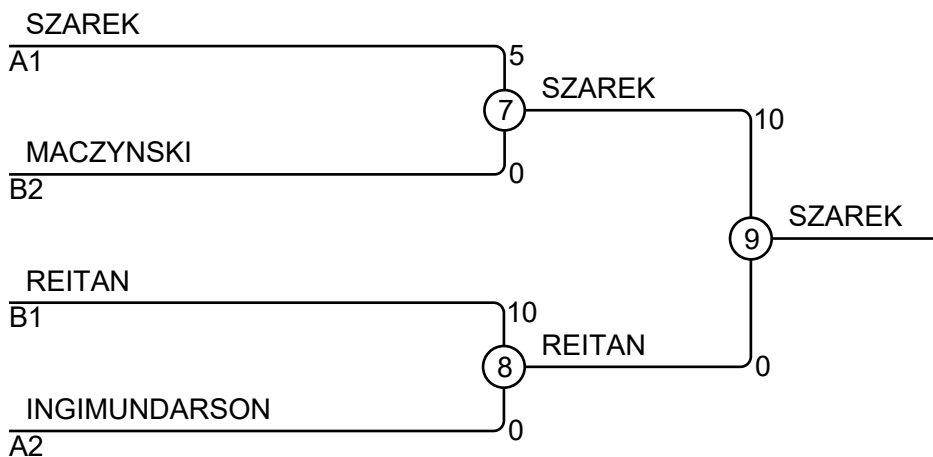
Match	White	Blue	Result	Time
1	Adrián INGIMUNDARSON 1 2	Arnar VIÐARSSON	10 - 0	1:27
3	Adrián INGIMUNDARSON 1 3	Piotr SZAREK	0 - 10	3:34
5	Arnar VIÐARSSON 2 3	Piotr SZAREK	0 - 10	1:42

Competitors B

#	Name	Club	4	5	6	Wins	Pts	Pos
4	Henrik REITAN	NOR		10	10	2	20	1
5	Björn SIGUÐARSON	ISL				0	0	3
6	Rafal MACZYNSKI	POL		10		1	10	2

Matches B

Match	White	Blue	Result	Time
2	Henrik REITAN 4 5	Björn SIGUÐARSON	10 - 0	0:32
4	Henrik REITAN 4 6	Rafal MACZYNSKI	10 - 0	3:51
6	Björn SIGUÐARSON 5 6	Rafal MACZYNSKI	0 - 10	1:21



Results

Pos	Name
1	Piotr SZAREK, POL
2	Henrik REITAN, NOR
3	Rafal MACZYNSKI, POL
3	Adrián INGIMUNDARSON, ISL