



# Tashkent World Championships Senior 2022

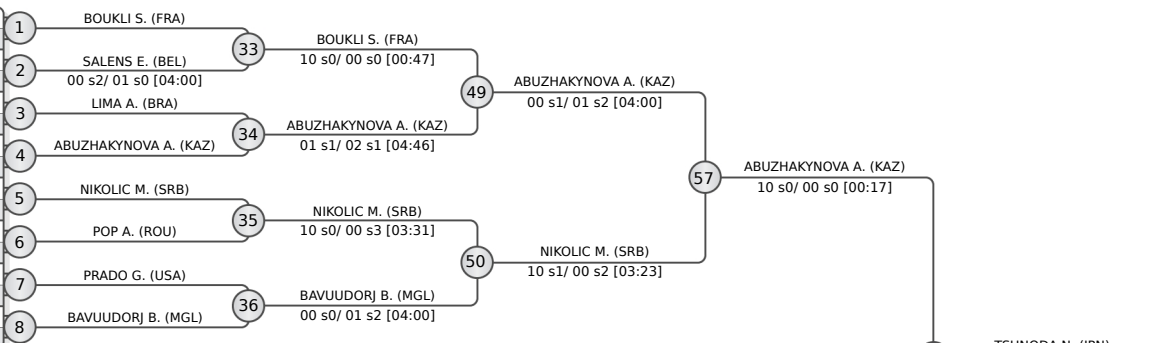
## Uzbekistan, Tashkent, 6-12 Oct 2022

# -48 kg

Seniors (38)

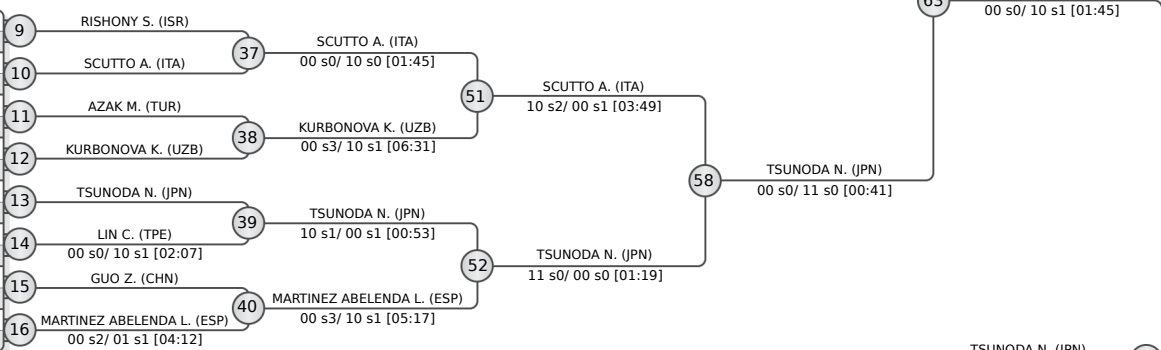
### POOL A

1	BOUKLI Shirine	FRA
2	SORIANO Estefania	DOM
3	SALENS Ellen	BEL
4	LIMA Amanda	BRA
5	ABUZHAKYNOVA Abiba	KAZ
6	NIKOLIC Milica	SRB
7	POP Alexandra	ROU
8	PRADO Giovanna	USA
9	BAVUUDORJ Baasankhuu	MGL



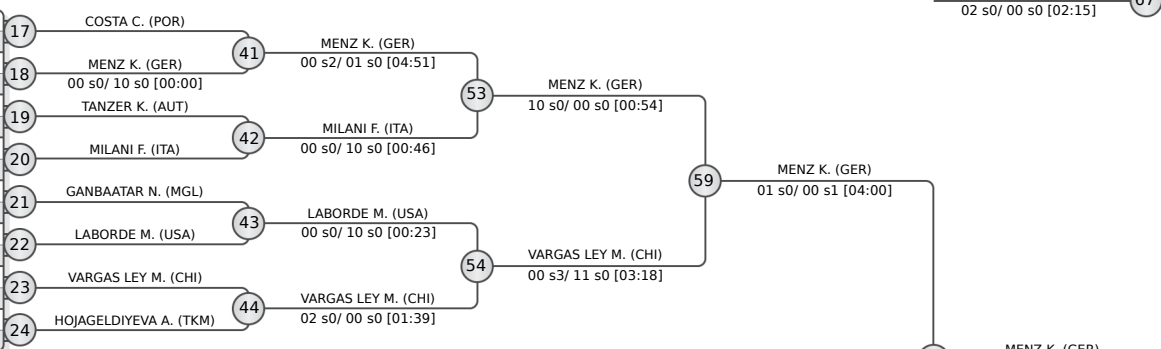
### POOL B

9	RISHONY Shira	ISR
10	SCUTTO Assunta	ITA
11	AZAK Merve	TUR
12	KURBONOVA Khalimajon	UZB
13	TSUNODA Natsumi	JPN
14	MORAND Priscilla	MRI
15	LIN Chen-Hao	TPE
16	GUO Zongying	CHN
17	BEDIQUI Oumaima	TUN
18	MARTINEZ ABELENDA Laura	ESP



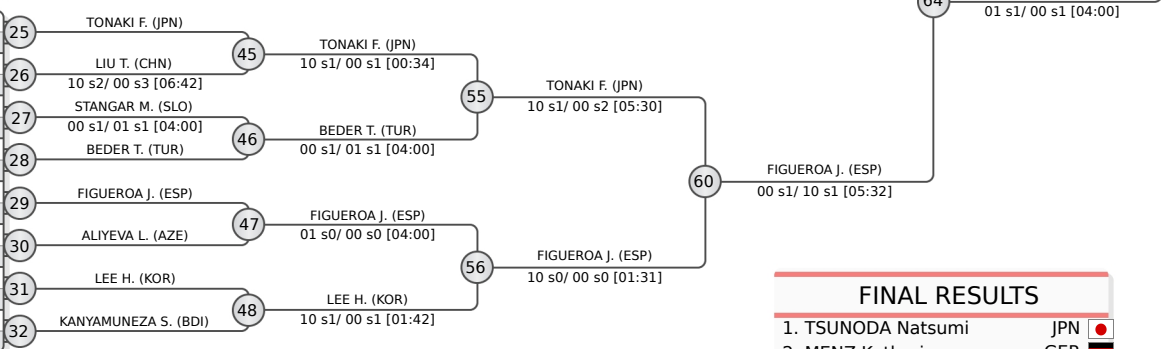
### POOL C

17	COSTA Catarina	POR
18	MUNEME Jennie	GER
19	MENZ Katharina	GER
20	TANZER Katharina	AUT
21	MILANI Francesca	ITA
22	GANBAATAR Narantsetseg	MGL
23	LABORDE Maria Celia	USA
24	VARGAS LEY Mary Dee	CHI
25	HOJAGELDIYEVA Aksoltan	TKM



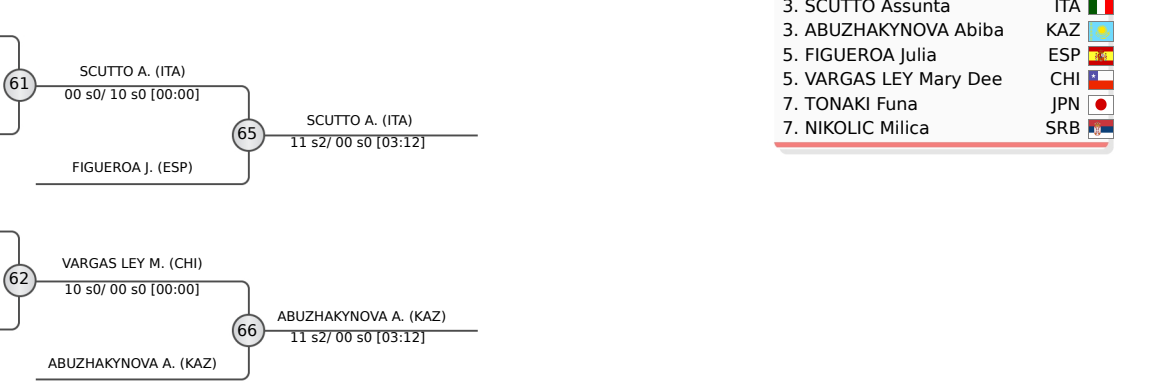
### POOL D

25	TONAKI Funa	JPN
26	LIU Ting	CHN
27	STOJADINOV Andrea	SRB
28	MALCA Tamar	ISR
29	STANGAR Marusa	SLO
30	BEDER Tugce	TUR
31	FIGUEROA Julia	ESP
32	ALIYEVA Leyla	AZE
33	LEE Hyekyeong	KOR
34	KANYAMUNEZA Signoline	BDI



### REPECHAGE

61	NIKOLIC M. (SRB)
62	TONAKI F. (JPN)



FINAL RESULTS	
1.	TSUNODA Natsumi
2.	MENZ Katharina
3.	SCUTTO Assunta
3.	ABUZHAKYNOVA Abiba
5.	FIGUEROA Julia
7.	VARGAS LEY Mary Dee
7.	TONAKI Funa
7.	NIKOLIC Milica





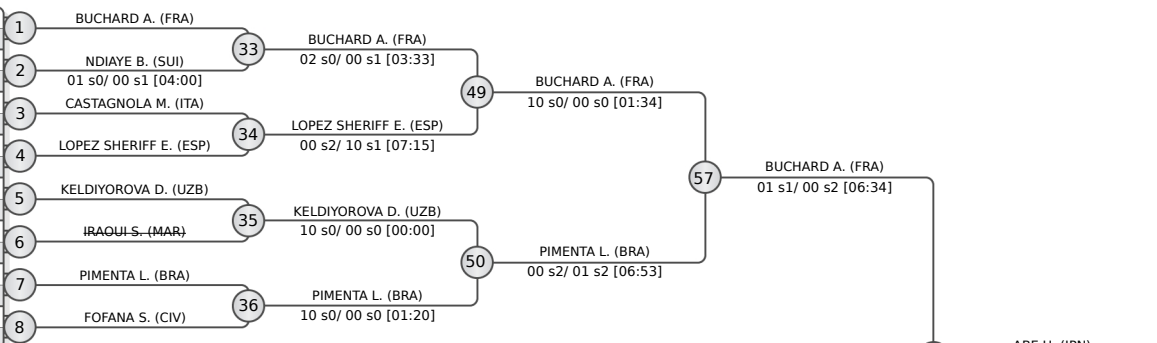
# Tashkent World Championships Senior 2022

## Uzbekistan, Tashkent, 6-12 Oct 2022

**-52 kg**  
Seniors (34)

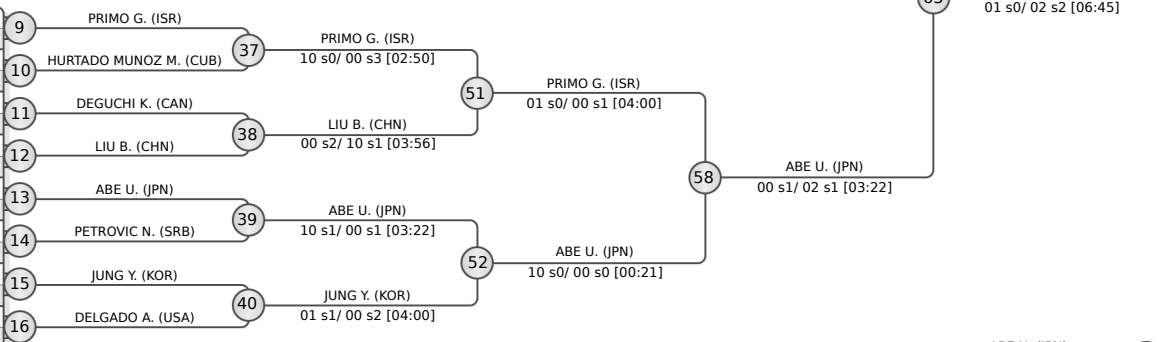
**POOL A**

1	BUCHARD Amandine	FRA
2	NDIAYE Binta	SUI
3	MAMMADALIYEVA Gultaj	AZE
4	CASTAGNOLA Martina	ITA
5	LOPEZ SHERIFF Estrella	ESP
6	KELDIYOROVA Diyora	UZB
7	IRAQULI Soumiya	MAR
8	PIMENTA Larissa	BRA
9	FOFANA Salimata	CIV



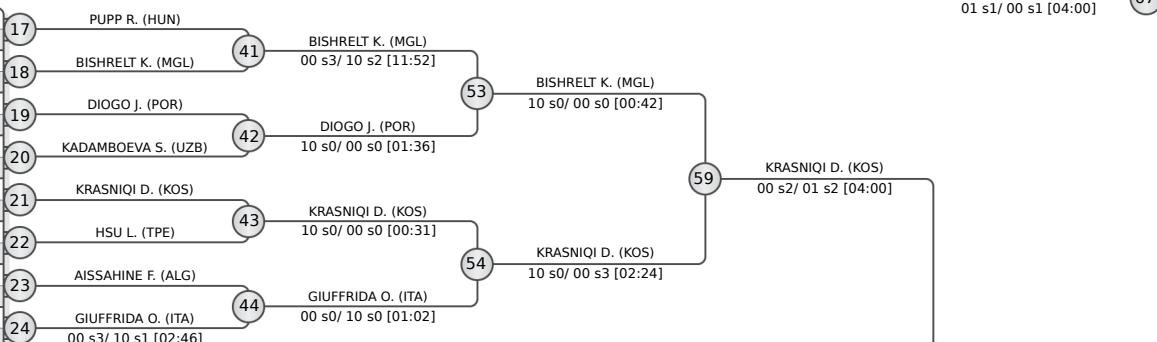
**POOL B**

9	PRIMO Gefen	ISR
10	HURTADO MUNOZ Melissa	CUB
11	DEGUCHI Kelly	CAN
12	LIU Ben	CHN
13	ABE Uta	JPN
14	PETROVIC Nadezda	SRB
15	JUNG Yerin	KOR
16	DELGADO Angelica	USA



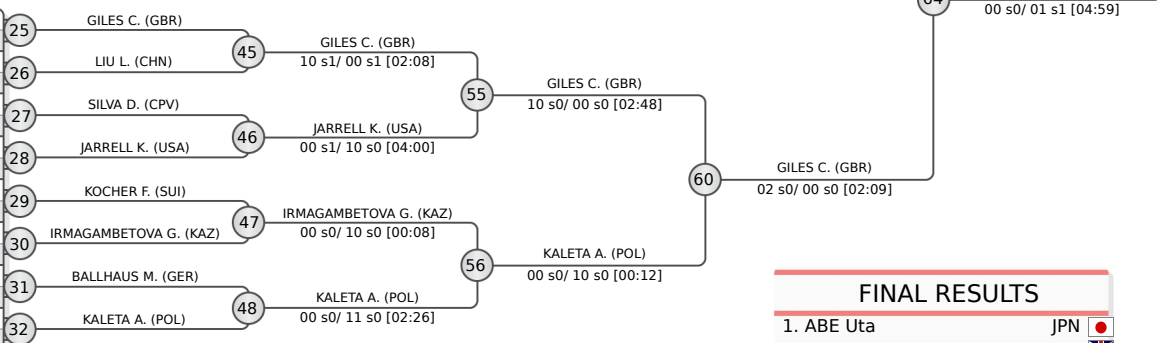
**POOL C**

17	PUPP Reka	HUN
18	BISHRELT Khorloodoi	MGL
19	DIOGO Joana	POR
20	KADAMBOEVA Sita	UZB
21	KRASNIQI Distria	KOS
22	HSU Lin Hsuan	TPE
23	AISSAHINE Faiza	ALG
24	NGUYEN Thuy	VIE
25	GIUFFRIDA Odette	ITA

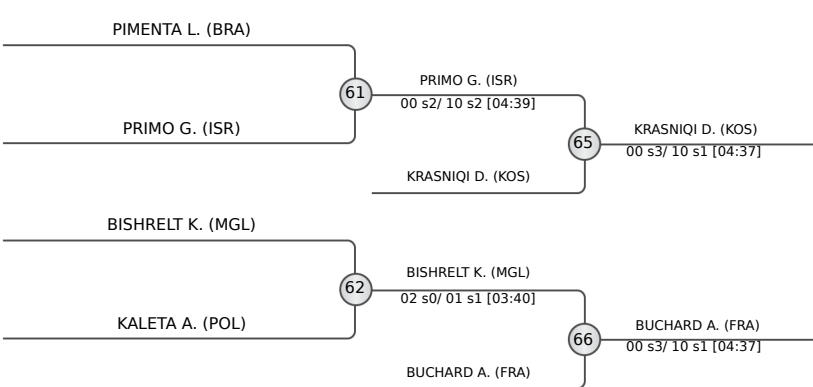


**POOL D**

25	GILES Chelsie	GBR
26	LIU Liping	CHN
27	SILVA Djamila	CPV
28	JARRELL Katelyn	USA
29	KOCHER Fabienne	SUI
30	IRMAGAMBETOVA Gaukhar	KAZ
31	BALLHAUS Mascha	GER
32	KALETA Aleksandra	POL



**REPECHAGE**



FINAL RESULTS	
1.	ABE Uta JPN
2.	GILES Chelsie GBR
3.	KRASNIQI Distria KOS
4.	BUCHARD Amandine FRA
5.	PRIMO Gefen ISR
6.	BISHRELT Khorloodoi MGL
7.	KALETA Aleksandra POL
8.	PIMENTA Larissa BRA





# Tashkent World Championships Senior 2022

## Uzbekistan, Tashkent, 6-12 Oct 2022

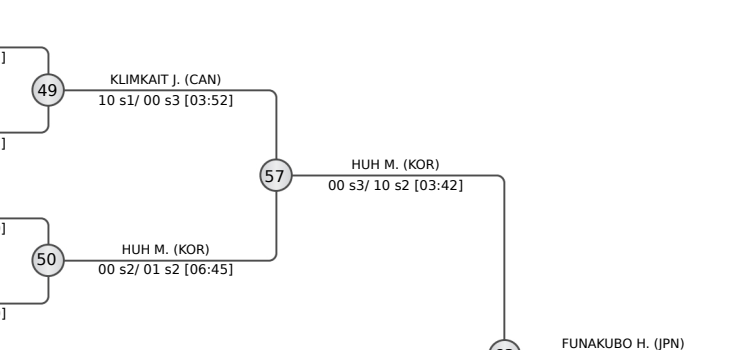
# -57 kg

Seniors (42)

**POOL A**

	KLIMKAIT Jessica	CAN	1
	MARTIN Jasmine	RSA	2
	LIEN Chen-Ling	TPE	3
	LOXHA Flaka	KOS	4
	PODOLAK Arleta	POL	5
	LIBEER Mina	BEL	6
	TOPOLOVEC Tihea	CRO	7
	AMINOVA Shukurjon	UZB	8
	KOCHKONBAEVA Adina	KGZ	9
	HUH Mimi	KOR	10

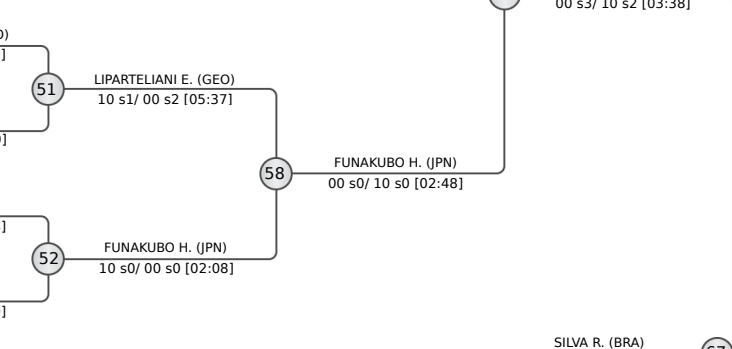
KLIMKAIT J. (CAN)	33	KLIMKAIT J. (CAN)
MARTIN J. (RSA)		10 s0/ 00 s3 [03:25]
LIEN C. (TPE)	34	LIEN C. (TPE)
PODOLAK A. (POL)		02 s1/ 00 s1 [03:07]
LIBEER M. (BEL)	35	LIBEER M. (BEL)
TOPOLOVEC T. (CRO)		01 s0/ 00 s2 [04:00]
AMINOVA S. (UZB)	36	HUH M. (KOR)
HUH M. (KOR)		00 s2/ 01 s2 [00:00]



**POOL B**

	LIPARTELIANI Eteri	GEO	9
	CAI Qi	CHN	10
	PERISIC Marica	SRB	11
	TONIOLO Veronica	ITA	12
	ESTEVEZ Mariana	GUI	13
	FUNAKUBO Haruka	JPN	14
	KARAKAS Hedvig	HUN	15
	YILDIZ Ozlem	TUR	16
	LIMA Jessica	BRA	17
	MUNKHTSEDEV Ichinkhorloo	MGL	18
	ROSA Ana	DOM	19

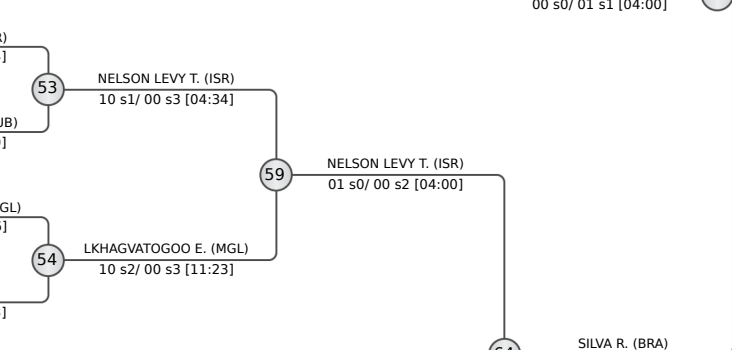
LIPARTELIANI E. (GEO)	37	LIPARTELIANI E. (GEO)
PERISIC M. (SRB)		10 s1/ 00 s1 [02:35]
TONIOLO V. (ITA)	38	TONIOLO V. (ITA)
ESTEVEZ M. (GUI)		01 s2/ 00 s2 [04:00]
FUNAKUBO H. (JPN)	39	FUNAKUBO H. (JPN)
KARAKAS H. (HUN)		10 s0/ 00 s0 [01:24]
YILDIZ OZLEM	40	LIMA J. (BRA)
LIMA J. (BRA)		10 s0/ 00 s3 [07:19]
ROSA A. (DOM)		02 s0/ 00 s0 [01:20]



**POOL C**

	NELSON LEVY Timna	ISR	17
	KOVACS Kitti	HUN	18
	KAJZER Kaja	SLO	19
	KOWALCZYK Julia	POL	20
	ODELIN GARCIA Arnaes	CUB	21
	LKHAGVATOGOO Enkhriilen	MGL	22
	DAHOUK Muna	IRT	23
	LEGENTIL Christianne	MRI	24
	HOLGUIN Mariah	USA	25
	DEGUCHI Christa	CAN	26
	DABONNE Zouleiha Abzetta	CIV	27

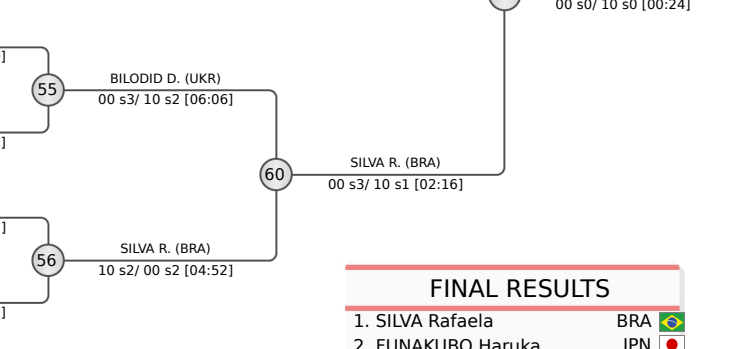
NELSON LEVY T. (ISR)	41	NELSON LEVY T. (ISR)
KOVACS K. (HUN)		01 s1/ 00 s2 [05:14]
ODELIN GARCIA A. (CUB)	42	ODELIN GARCIA A. (CUB)
KAJZER K. (SLO)		10 s0/ 00 s3 [04:51]
LKHAGVATOGOO E. (MGL)	43	LKHAGVATOGOO E. (MGL)
DAHOUK MUNA		10 s1/ 00 s2 [03:26]
LEGENTIL C. (MRI)	44	DEGUCHI C. (CAN)
HOLGUIN M. (USA)		00 s0/ 02 s0 [00:42]
DEGUCHI C. (CAN)		00 s1/ 10 s0 [01:17]
DABONNE Z. (CIV)		10 s0/ 00 s1 [02:53]



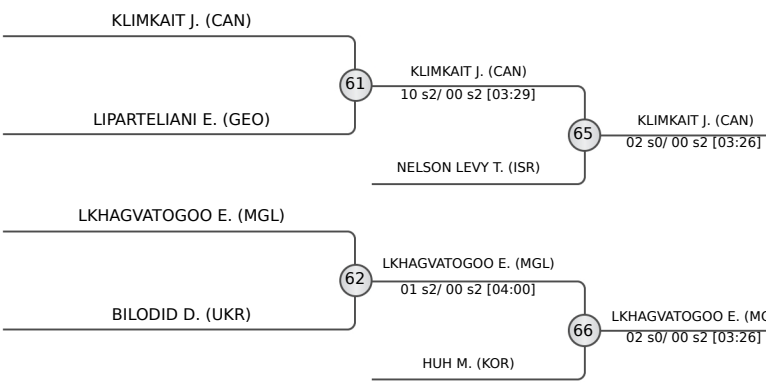
**POOL D**

	CYSIQUE Sarah Leonie	FRA	25
	STARKE Pauline	GER	26
	TOPRAK Acelya	GBR	27
	NISHANBAYEVA Sevara	KAZ	28
	SAMARDZIC Andjela	BIH	29
	BILODID Daria	UKR	30
	SILVA Rafaela	BRA	31
	ERMAGANBETOVA Nilufar	UZB	32
	BREYTENBACH Donne	RSA	33
	ILIEVA Ivelina	BUL	34

CYSIQUE S. (FRA)	45	CYSIQUE S. (FRA)
STARKE P. (GER)		01 s0/ 00 s1 [04:00]
BILODID D. (UKR)	46	BILODID D. (UKR)
TOPRAK A. (GBR)		10 s1/ 00 s1 [03:33]
SILVA R. (BRA)	47	SILVA R. (BRA)
ERMAGANBETOVA N. (UZB)		10 s0/ 00 s1 [02:27]
BILODID D. (UKR)	48	ILIEVA I. (BUL)
ILIEVA I. (BUL)		00 s0/ 10 s0 [01:07]



**REPECHAGE**



FINAL RESULTS	
1.	SILVA Rafaela BRA
2.	FUNAKUBO Haruka JPN
3.	KLIMKAIT Jessica CAN
4.	LKHAGVATOGOO Enkhriilen MGL
5.	HUH Mimi KOR
6.	LIPARTELIANI Eteri GEO
7.	BILODID Daria UKR





# Tashkent World Championships Senior 2022

## Uzbekistan, Tashkent, 6-12 Oct 2022

# -63 kg

## Seniors (41)

### POOL A

1	RENSHALL Lucy	GBR
2	CABANA PEREZ Cristina	ESP
3	BELKADI Amina	ALG
4	BOLD Gankhaich	MGL
5	PRIMO Kerem	ISR
6	KUYULOVA Esmigul	KAZ
7	HAECKER Katharina	AUS
8	ANTIPINA Anastasiia	UKR
9	HORIKAWA Megumi	JPN
10	D ISANTO Nicolle	ITA

1	RENSHALL L. (GBR)	33	RENSHALL L. (GBR)
2	BELKADI A. (ALG)	00 s1/ 01 s2 [04:00]	10 s0/ 00 s3 [04:52]
3	PRIMO K. (ISR)	00 s3/ 10 s1 [05:15]	10 s0/ 00 s3 [02:40]
4	KUYULOVA E. (KAZ)		
5	HAECKER K. (AUS)		
6	ANTIPINA A. (UKR)	35	HAECKER K. (AUS)
7	HORIKAWA M. (JPN)		
8	D ISANTO N. (ITA)	36	HORIKAWA M. (JPN)

49	RENSHALL L. (GBR)	10 s1/ 00 s3 [04:53]
50	HORIKAWA M. (JPN)	00 s3/ 10 s2 [03:50]
57	HORIKAWA M. (JPN)	00 s2/ 01 s1 [04:00]
63	HORIKAWA M. (JPN)	02 s0/ 00 s1 [01:56]

### POOL B

9	LESKI Andreja	SLO
10	TIMO Barbara	POR
11	OBRAĐOVIC Anja	SRB
12	VAN DEN BERG Geke	NED
13	FAYE Anna Siga	SEN
14	OZBAS Szofi	HUN
15	LEE Juyeon	KOR
16	SZYMANSKA Angelika	POL
17	DELGADO FRANCES Carolina	CPV
18	GOLDEN Sara	USA

9	LESKI A. (SLO)	37	TIMO B. (POR)
10	TIMO B. (POR)	00 s1/ 01 s0 [04:23]	11 s1/ 00 s2 [03:50]
11	VAN DEN BERG G. (NED)		
12	FAYE A. (SEN)	38	VAN DEN BERG G. (NED)
13	OZBAS S. (HUN)		
14	LEE J. (KOR)	39	OZBAS S. (HUN)
15	SZYMANSKA A. (POL)		
16	GOLDEN S. (USA)	40	SZYMANSKA A. (POL)

51	TIMO B. (POR)	01 s1/ 00 s1 [04:00]
52	SZYMANSKA A. (POL)	00 s1/ 10 s0 [03:09]
58	TIMO B. (POR)	10 s0/ 00 s3 [05:23]
67	HORIKAWA M. (JPN)	10 s1/ 00 s1 [03:59]

### POOL C

17	BEAUCHEMIN-PINARD Catherine	CAN
18	ETOUA BLOCK Audrey Jeannette	CMR
19	FAZLIU Laura	KOS
20	KIM Jijeong	KOR
21	OBERAN Iva	CRO
22	SHARIR Gili	ISR
23	PADILLA GUERRERO Sarai	ESP
24	DEL TORO CARVAJAL Maylin	CUB
25	BAZYNSKI Nadja	GER
26	ZACHOVA Renata	CZE
27	DASHKINOVA Zulhumar	TKM

17	BEAUCHEMIN-PINARD C. (CAN)	41	BEAUCHEMIN-PINARD C. (CAN)
18	ETOUA BLOCK A. (CMR)	10 s2/ 00 s0 [02:29]	10 s0/ 00 s0 [00:54]
19	KIM J. (KOR)		
20	OBERAN I. (CRO)	42	OBERAN I. (CRO)
21	SHARIR G. (ISR)		
22	PADILLA GUERRERO S. (ESP)	43	SHARIR G. (ISR)
23	ZACHOVA R. (CZE)	10 s2/ 00 s3 [05:52]	10 s2/ 00 s3 [05:36]
24	DASHKINOVA Z. (TKM)	44	ZACHOVA R. (CZE)

53	BEAUCHEMIN-PINARD C. (CAN)	10 s0/ 00 s0 [01:08]
54	ZACHOVA R. (CZE)	00 s0/ 01 s0 [04:00]
59	BEAUCHEMIN-PINARD C. (CAN)	10 s0/ 00 s0 [00:48]
64	BEAUCHEMIN-PINARD C. (CAN)	10 s1/ 00 s0 [02:23]

### POOL D

25	QUADROS Ketleyn	BRA
26	TANG Jing	CHN
27	SANCHEZ Ariela	DOM
28	MARTIN Hannah	USA
29	IVANESCU Florentina	ROU
30	VERMEER Sanne	NED
31	NARYNOVA Moldir	KAZ
32	ISOKOVA Sevinch	UZB
33	ISAEVA Azhar	KGZ
34	DEKETER Manon	FRA

25	QUADROS K. (BRA)	45	QUADROS K. (BRA)
26	TANG J. (CHN)	10 s2/ 00 s0 [03:00]	10 s2/ 00 s2 [02:34]
27	MARTIN H. (USA)		
28	IVANESCU F. (ROU)	46	IVANESCU F. (ROU)
29	VERMEER S. (NED)		
30	NARYNOVA M. (KAZ)	47	VERMEER S. (NED)
31	ISOKOVA S. (UZB)		
32	ISAEVA A. (KGZ)	48	DEKETER M. (FRA)

55	IVANESCU F. (ROU)	00 s1/ 10 s0 [02:06]
56	DEKETER M. (FRA)	00 s1/ 10 s0 [03:30]
60	DEKETER M. (FRA)	00 s0/ 11 s0 [02:40]

### REPECHAGE

61	SZYMANSKA A. (POL)	00 s0/ 02 s0 [02:45]
62	IVANESCU F. (ROU)	00 s2/ 01 s0 [04:00]
65	DEKETER M. (FRA)	00 s0/ 01 s1 [04:00]
66	TIMO B. (POR)	00 s0/ 01 s1 [04:00]

### FINAL RESULTS

- HORIKAWA Megumi JPN
- BEAUCHEMIN-PINARD Catherine CAN
- DEKETER Manon FRA
- TIMO Barbara POR
- SZYMANSKA Angelika POL
- IVANESCU Florentina ROU
- RENSHALL Lucy GBR
- ZACHOVA Renata CZE





# Tashkent World Championships Senior 2022

## Uzbekistan, Tashkent, 6-12 Oct 2022

# -70 kg

## Seniors (44)

### POOL A

1	MATIC Barbara (CRO)	33	MATIC B. (CRO)
2	BERNHOLM Anna (SWE)	34	JAGER H. (NED)
3	JAGER Hilde (NED)	35	MOSCALU S. (ROU)
4	MOSCALU Serafima (ROU)	36	SAMARDZIC A. (BIH)
5	SAMARDZIC Aleksandra (BIH)	37	TELTSIDOU Elisavet (GRE)
6	TELTSIDOU Elisavet (GRE)	38	PETERSEN POLLARD Kelly (GBR)
7	PETERSEN POLLARD Kelly (GBR)	39	MATNIYAZOVA G. (UZB)
8	MATNIYAZOVA Gulnoza (UZB)	40	WRIGHT Chantal (USA)
		41	BIAMI Zita Ormella (CMR)
		42	OGEL F. (TUR)

### POOL B

9	BUTKEREIT Miriam (GER)	43	LANDOLSI N. (TUN)
10	LANDOLSI Nihel (TUN)	44	CHANG Ssu-Tzu (TPE)
11	CHANG Ssu-Tzu (TPE)	45	POGACNIK A. (SLO)
12	GERCSAK Szabina (HUN)	46	POGACNIK Anka (SLO)
13	POGACNIK Anka (SLO)	47	COUGHLAN Aoife (AUS)
14	COUGHLAN Aoife (AUS)	48	PORTELA Maria (BRA)
15	PORTELA Maria (BRA)	49	MAYAKOVA Anastassiya (KAZ)
16	MAYAKOVA Anastassiya (KAZ)	50	TANAKA Shiho (JPN)
17	OLSEN Laerke (DEN)	51	TANAKA Shiho (JPN)
18	TANAKA Shiho (JPN)	52	CHYSTIAKOVA Nataliia (UKR)
19	CHYSTIAKOVA Nataliia (UKR)	53	

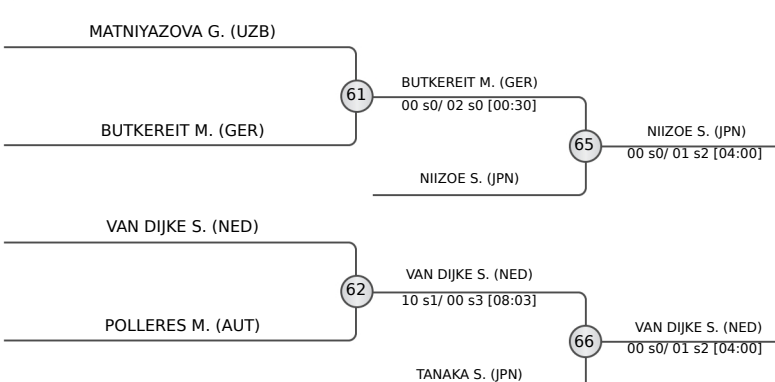
### POOL C

20	VAN DIJKE Sanne (NED)	54	YEATS-BROWN K. (GBR)
21	SHAHEEN Nigara (IRT)	55	YEATS-BROWN Katie-Jemima (GBR)
22	YEATS-BROWN Katie-Jemima (GBR)	56	GOSHEN M. (ISR)
23	GOSHEN Maya (ISR)	57	LIAO Yu-Jung (TPE)
24	LIAO Yu-Jung (TPE)	58	NAZAROVA Shokhista (UZB)
25	NAZAROVA Shokhista (UZB)	59	PINOT Margaux (FRA)
26	PINOT Margaux (FRA)	60	CVJETKO Lara (CRO)
27	CVJETKO Lara (CRO)	61	WILLEMS G. (BEL)
28	PEREZ Maria (PUR)	62	WILLEMS Gabriella (BEL)
29	WILLEMS Gabriella (BEL)	63	ESPOSITO M. (ITA)
30	ESPOSITO Martina (ITA)	64	

### POOL D

31	GAHIE Marie Eve (FRA)	65	CARVALHO Luana (BRA)
32	CARVALHO Luana (BRA)	66	NIIZOE S. (JPN)
33	RODRIGUEZ Elvismar (VEN)	67	NIIZOE S. (JPN)
34	NIIZOE Saki (JPN)	68	TSERENDULAM E. (MGL)
35	TSERENDULAM Enkhchimeg (MGL)	69	POLLERES Michaela (AUT)
36	POLLERES Michaela (AUT)	70	POLLERES M. (AUT)
37	SOBIERAJSKA Katarzyna (POL)	71	SOBIERAJSKA K. (POL)
38	TSUNODA ROUSTANT Ai (ESP)	72	MAEKELBURG S. (GER)
39	ERIKSSON Ida (SWE)	73	MAEKELBURG Sarah (GER)
40	MAEKELBURG Sarah (GER)	74	DRYSDALE DALEY Ebony (JAM)
41	DRYSDALE DALEY Ebony (JAM)	75	

### REPECHAGE



### FINAL RESULTS

- MATIC Barbara (CRO)
- CVJETKO Lara (CRO)
- NIIZOE Saki (JPN)
- VAN DIJKE Sanne (NED)
- BUTKEREIT Miriam (GER)
- TANAKA Shiho (JPN)
- MATNIYAZOVA Gulnoza (UZB)
- POLLERES Michaela (AUT)





# Tashkent World Championships Senior 2022

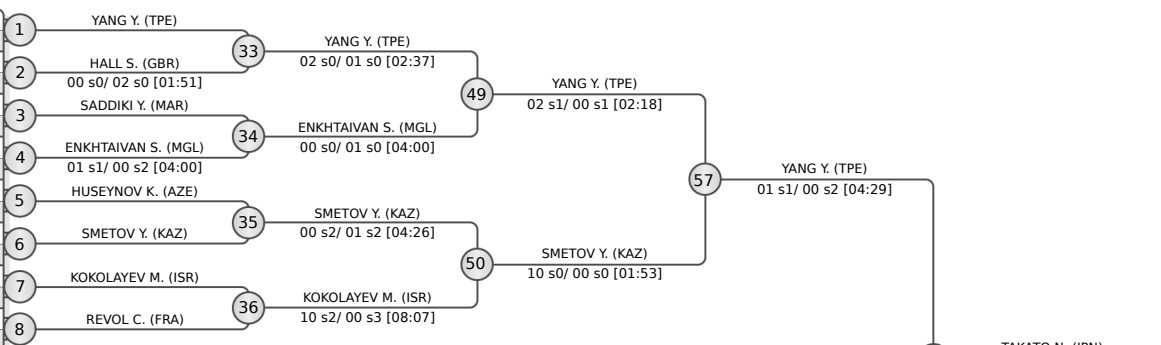
## Uzbekistan, Tashkent, 6-12 Oct 2022

# -60 kg

## Seniors (42)

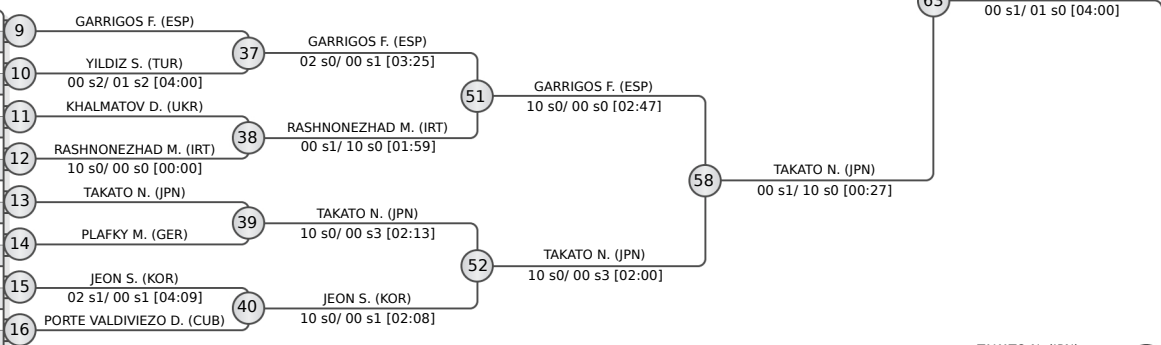
**POOL A**

1	YANG Yung Wei	TPE
2	KUWABARA Allan	BRA
3	HALL Samuel	GBR
4	SADDIKI Younes	MAR
5	ENKHTAIVAN Sumiyabazar	MGL
6	SAMY Yousry	EGY
7	HUSEYNOV Karamat	AZE
8	SMETOV Yeldos	KAZ
9	KOKOLAYEV Matan	ISR
10	REVOL Cedric	FRA



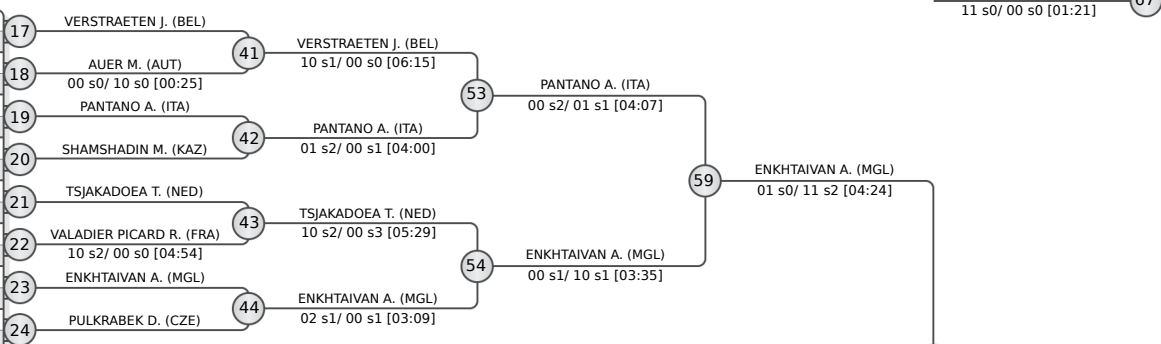
**POOL B**

9	GARRIGOS Francisco	ESP
10	STARKEL David	SLO
11	YILDIZ Salih	TUR
12	KHALMATOV Dilshot	UKR
13	RASHNONEZHAD Mohammad	IRT
14	JUMAYEV Hakberdi	TKM
15	TAKATO Naohisa	JPN
16	PLAFKY Moritz	GER
17	JEON Seungbeom	KOR
18	KARAKIZIDI Savva	GRE
19	PORTE VALDIVIEZO Danny	CUB



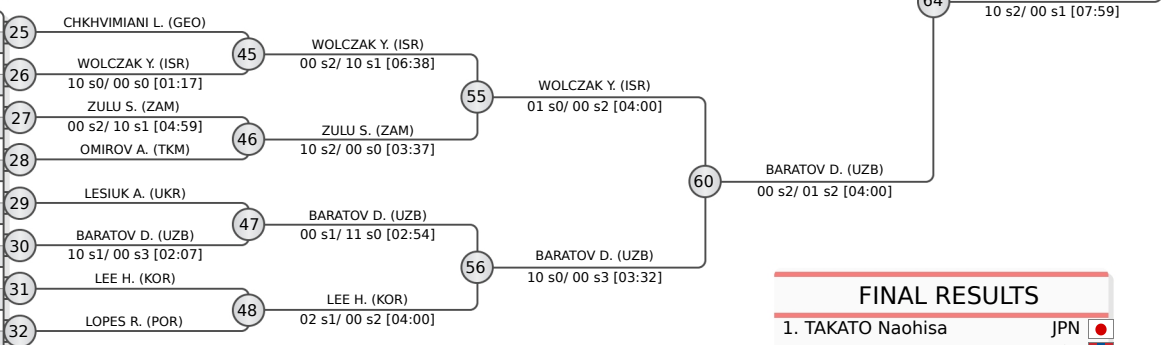
**POOL C**

17	VERSTRAETEN Jorre	BEL
18	SEIBOU KANGAYE Souleymane	NIG
19	AUER Marcus	AUT
20	PANTANO Angelo	ITA
21	SHAMSHADIN Magzhan	KAZ
22	TSJAKADOEVA Tornike	NED
23	VALADIER PICARD Romain	FRA
24	YRYSBEKOV Khanbolot	KGZ
25	ENKHTAIVAN Ariunbold	MGL
26	PULKRABEK David	CZE



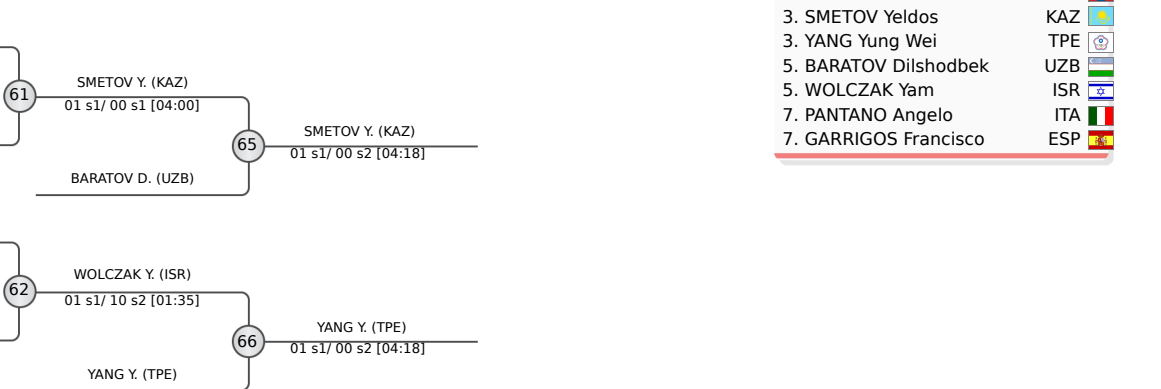
**POOL D**

25	CHKHVIMIANI Lukhumi	GEO
26	WOLCZAK Yam	ISR
27	DIAZ Adonis	USA
28	DABONE Daouda	CIV
29	ZULU Simon	ZAM
30	OMIROV Aybek	TKM
31	LESIUK Artem	UKR
32	BARATOV Dilshodbek	UZB
33	AKKASH Mohamad	IRT
34	LEE Harim	KOR
35	LOPES Rodrigo Costa	POR



**REPECHAGE**

61	SMETOV Y. (KAZ)
62	GARRIGOS F. (ESP)
63	PANTANO A. (ITA)
64	WOLCZAK Y. (ISR)



FINAL RESULTS	
1.	TAKATO Naohisa JPN
2.	ENKHTAIVAN Ariunbold MGL
3.	SMETOV Yeldos KAZ
4.	YANG Yung Wei TPE
5.	BARATOV Dilshodbek UZB
6.	WOLCZAK Yam ISR
7.	PANTANO Angelo ITA
8.	GARRIGOS Francisco ESP





# Tashkent World Championships Senior 2022

## Uzbekistan, Tashkent, 6-12 Oct 2022

# -66 kg

## Seniors (44)

### POOL A

1	VIERU Denis (MDA)	VIERU D. (MDA)
2	BUNCIC Strahinja (SRB)	BUNCIC S. (SRB)
3	FLICKER Tai (ISR)	FLICKER L. (ISR)
4	SLAMBERGER Lennart (GER)	SLAMBERGER L. (GER)
5	POSTIGOS Juan (PER)	POSTIGOS J. (PER)
6	GAITERO MARTIN Alberto (ESP)	GAITERO MARTIN A. (ESP)
7	SAFAROV Orkhan (AZE)	SAFAROV O. (AZE)
8	WAIZENEGGER Freddy (SUI)	WAIZENEGGER F. (SUI)
9	ALHASSANE Ismael (NIG)	ALHASSANE I. (NIG)
10	NURILLAEV Sardor (UZB)	NURILLAEV S. (UZB)
11	IADOV Bogdan (UKR)	IADOV B. (UKR)

### POOL B

9	ABE Hifumi (JPN)	ABE H. (JPN)
10	TAKABATAKE Eric (BRA)	TAKABATAKE E. (BRA)
11	SAHA Luukas (FIN)	SAHA L. (FIN)
12	POLANCO Orlando (CUB)	POLANCO O. (CUB)
13	EMOMALI Nurali (TJK)	EMOMALI N. (TJK)
14	YONDONPERENLEI Baskhuu (MGL)	YONDONPERENLEI B. (MGL)
15	ABDELMAWGOUD Mohamed (EGY)	ABDELMAWGOUD M. (EGY)
16	KODZHAKOV Ramazan (BRN)	KODZHAKOV R. (BRN)
17	MANZI Elios (ITA)	MANZI E. (ITA)
18	TEMEJKOV Bozhidar (BUL)	TEMEJKOV B. (BUL)
19	MUNGANDU Steven (ZAM)	MUNGANDU S. (ZAM)

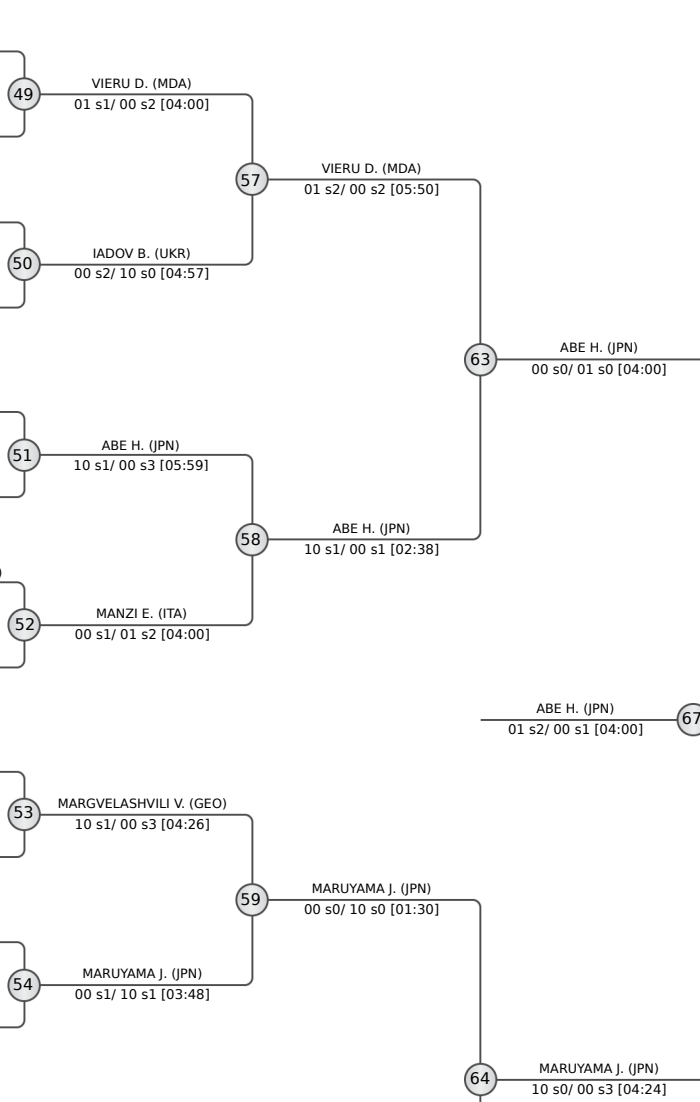
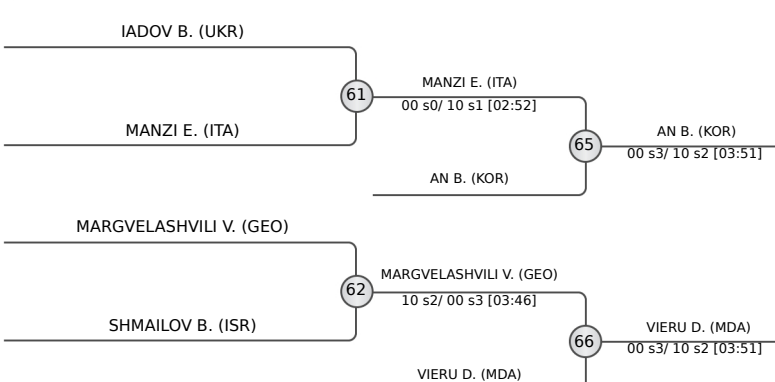
### POOL C

17	MARGVELASHVILI Vazha (GEO)	MARGVELASHVILI V. (GEO)
18	BOUSHITA Abderrahmane (MAR)	BOUSHITA A. (MAR)
19	DEMIREL Muhammed (TUR)	DEMIREL M. (TUR)
20	MARANDIAN Karo (UKR)	MARANDIAN K. (UKR)
21	RAMIREZ Isaiiah (USA)	RAMIREZ I. (USA)
22	LIMA Willian (BRA)	LIMA W. (BRA)
23	IZVOREANU Radu (MDA)	IZVOREANU R. (MDA)
24	GERCHEV Yanislav (BUL)	GERCHEV Y. (BUL)
25	VERHORSTERT Ivo (NED)	VERHORSTERT I. (NED)
26	MARUYAMA Joshiro (JPN)	MARUYAMA J. (JPN)
27	BORS DUMITRESCU Lucian (ROU)	BORS DUMITRESCU L. (ROU)

### POOL D

25	AN Baul (KOR)	AN B. (KOR)
26	PIRAS Matteo (ITA)	PIRAS M. (ITA)
27	KYRGYZBAYEV Gusman (KAZ)	KYRGYZBAYEV G. (KAZ)
28	NIETO CHINARRO Adrian (ESP)	NIETO CHINARRO A. (ESP)
29	NAJAFOV Yashar (AZE)	NAJAFOV Y. (AZE)
30	NOSRATI Miad (IRT)	NOSRATI M. (IRT)
31	SHMAILOV Baruch (ISR)	SHMAILOV B. (ISR)
32	SANCHO CHINCHILA Ian (CRC)	SANCHO CHINCHILA I. (CRC)
33	GANBOLD Kherlen (MGL)	GANBOLD K. (MGL)
34	KHYAR Walide (FRA)	KHYAR W. (FRA)
35	EZZINE Wail (ALG)	EZZINE W. (ALG)

### REPECHAGE



### FINAL RESULTS

1. ABE Hifumi (JPN)
2. MARUYAMA Joshiro (JPN)
3. AN Baul (KOR)
3. VIERU Denis (MDA)
5. MANZI Elios (ITA)
5. MARGVELASHVILI Vazha (GEO)
7. SHMAILOV Baruch (ISR)
7. IADOV Bogdan (UKR)





# Tashkent World Championships Senior 2022

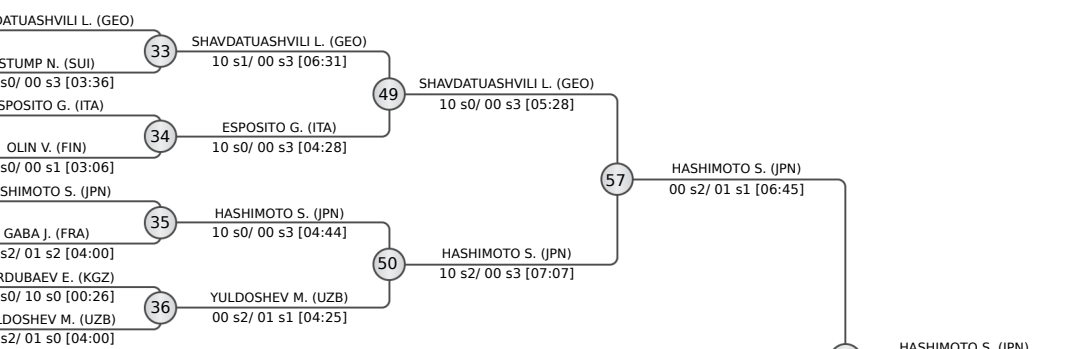
## Uzbekistan, Tashkent, 6-12 Oct 2022

# -73 kg

Seniors (51)

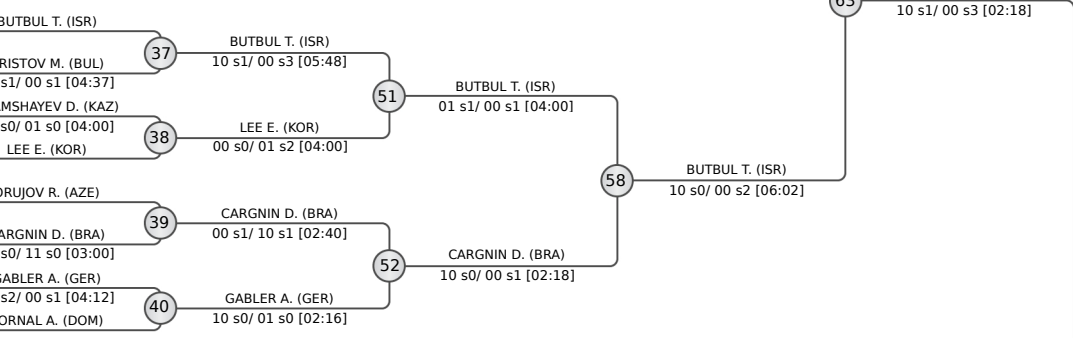
**POOL A**

1	SHAVDATUASHVILI Lasha	GEO
2	STUMP Nils	SUI
3	SARAKHONOV Muhammadrahim	TJK
4	ESPOSITO Giovanni	ITA
5	OLIN Valtteri	FIN
6	SANCHO Julian	CRC
7	HASHIMOTO Soichi	JPN
8	DRIS Messaoud Redouane	ALG
9	GABA Joan-Benjamin	FRA
10	JAUHARI Jawid	IRT
11	TURDUBAEV Ertur	KGZ
12	NJIE Faye	GAM
13	YULDOSHEV Murodjon	UZB



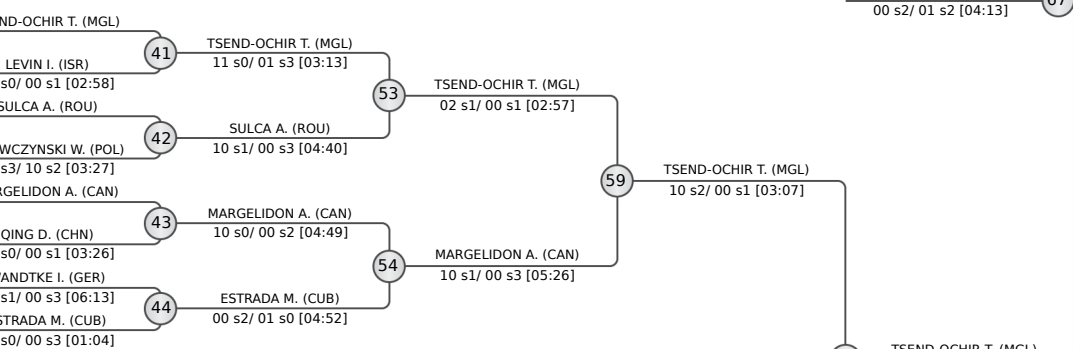
**POOL B**

9	BUTBUL Tohar	ISR
10	HRISTOV Mark	BUL
11	TSOUTLASVILI Michail	GRE
12	YONEZUKA Jack	USA
13	SHAMSHAYEV Daniyar	KAZ
14	LEE Eunhyul	KOR
15	ORUJOV Rustam	AZE
16	RAICU Alexandru	ROU
17	CARGNIN Daniel	BRA
18	GABLER Alexander Bernd	GER
19	STODOLSKI Adam	POL
20	TORNAL Antonio	DOM



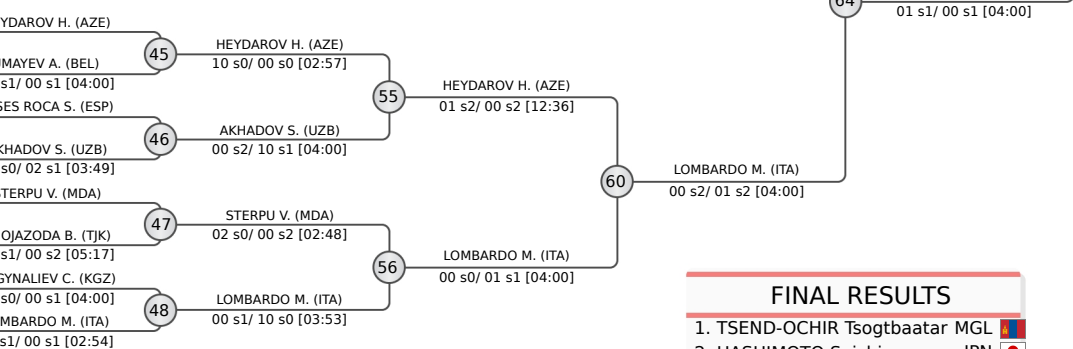
**POOL C**

17	TSEND-OCHIR Tsogtbaatar	MGL
18	LEVIN Ido	ISR
19	HAMAD Sulaiman	KSA
20	SULCA Adrian	ROU
21	HOJAK Martin	SLO
22	MROWCZYNSKI Wiktor	POL
23	MARGELIDON Arthur	CAN
24	QING Daga	CHN
25	POCHOP Daniel	CZE
26	WANDTKE Igor	GER
27	BEN CHALBI Aledine	TUN
28	ESTRADA Magdiel	CUB
29	ALIKAJ Ahmad	IRT

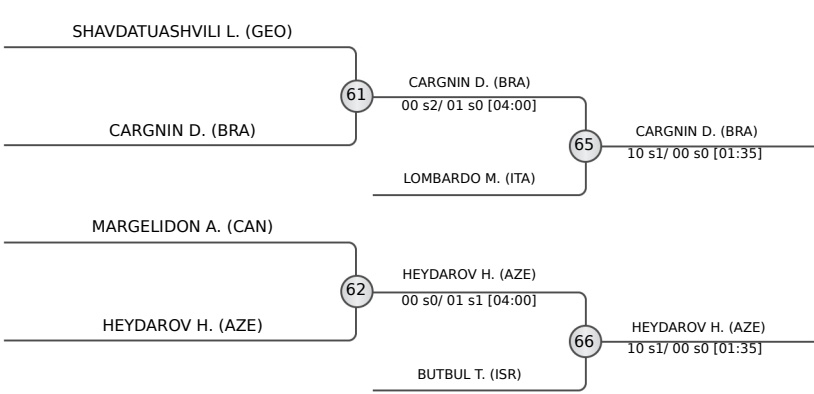


**POOL D**

25	HEYDAROV Hidayat	AZE
26	UMAYEV Abdul Malik	BEL
27	ABDELMOUATY Ali	EGY
28	CASES ROCA Salvador	ESP
29	RODRIGUEZ Dominic	USA
30	AKHADOV Shakhram	UZB
31	STERPU Victor	MDA
32	KHOJAZODA Behruzi	TJK
33	AXUS Benjamin	FRA
34	SAGYNALIEV Chyngyzkhan	KGZ
35	NAKANO Keisei	PHI
36	LOMBARDO Manuel	ITA
37	KHOMULA Artem	UKR



**REPECHAGE**



### FINAL RESULTS

1. TSEND-OCHIR Tsogtbaatar MGL
2. HASHIMOTO Soichi JPN
3. CARGNIN Daniel BRA
4. HEYDAROV Hidayat AZE
5. LOMBARDO Manuel ITA
6. BUTBUL Tohar ISR
7. MARGELIDON Arthur CAN
8. SHAVDATUASHVILI Lasha GEO





# Tashkent World Championships Senior 2022

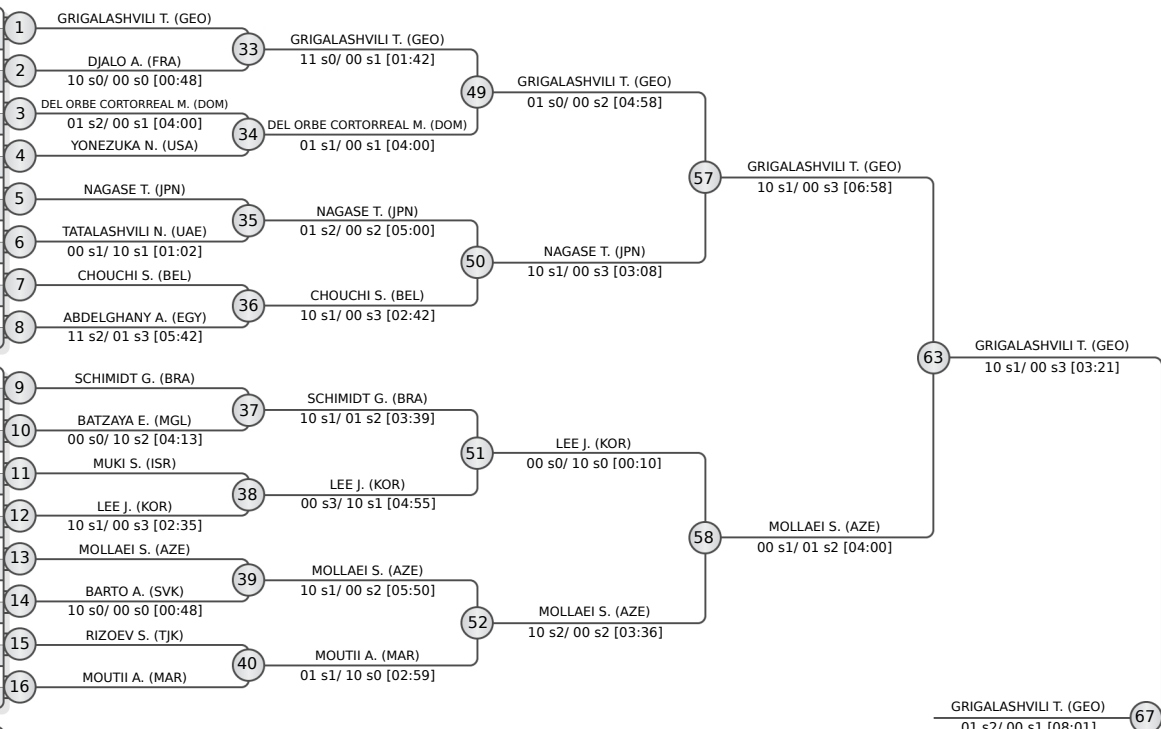
## Uzbekistan, Tashkent, 6-12 Oct 2022

# -81 kg

Seniors (47)

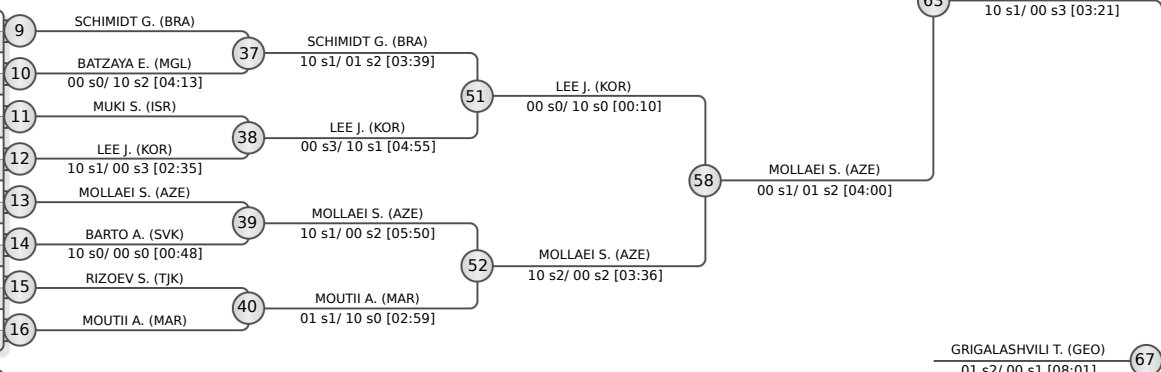
### POOL A

1	GRIGALASHVILI Tato	GEO
2	DJALO Alpha Oumar	FRA
3	DRZYMAL Pawel	POL
4	DEL ORBE CORTORREAL Medickson	DOM
5	RESSEL Dominic	GER
6	YONEZUKA Nicolas	USA
7	NAGASE Takanori	JPN
8	MANUKIAN Hievorh	UKR
9	TATALASHVILI Nugzari	AZE
10	CHOUCHI Sami	BEL
11	ABDELGHANY Abdelrahman	EGY
12	ZOLOEV Vladimir	KGZ



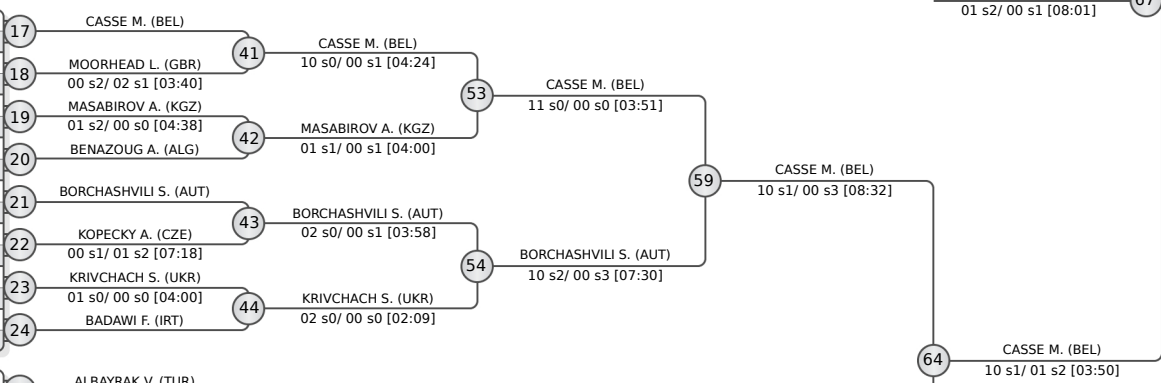
### POOL B

9	SCHIMIDT Guilherme	BRA
10	ESPOSITO Antonio	ITA
11	BATZAYA Erdenebayar.	MGL
12	MUKI Sagi	ISR
13	LEE Joonhwan	KOR
14	MYLONELIS Athanasios	GRE
15	MOLLAEI Saeid	AZE
16	BARTO Alex	SVK
17	ZABOROSCIUC Nikon	MDA
18	RIZOEVI Shodmon	TJK
19	MOUTII Achraf	MAR



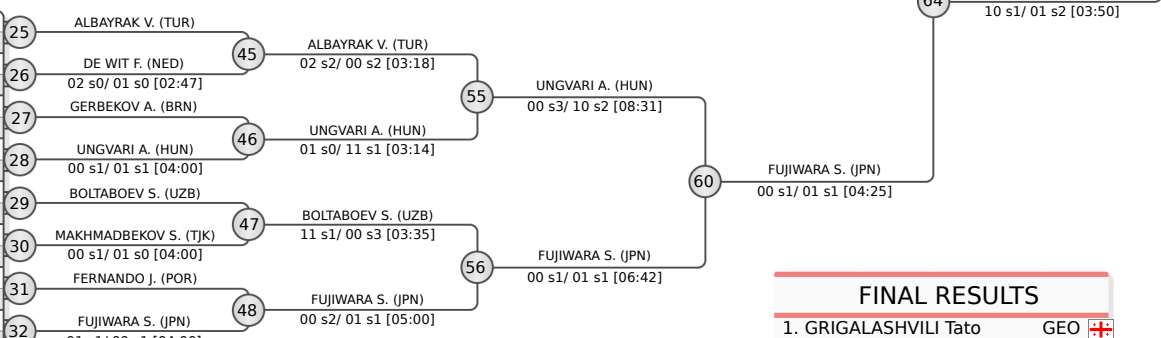
### POOL C

17	CASSE Matthias	BEL
18	HAIJYEV Eljan	AZE
19	MOORHEAD Lachlan	GBR
20	MASABIROV Asad	KGZ
21	MARCINKIEWICZ Sebastian	POL
22	BENAZOUG Aghiles-Imad	ALG
23	BORCHASHVILI Shamil	AUT
24	URQUIZA SOLANA Alfonso	ESP
25	KOPECKY Adam	CZE
26	KRIVCHACH Sergii	UKR
27	GANDIA Adrian	PUR
28	BADAWI Fares	IRT

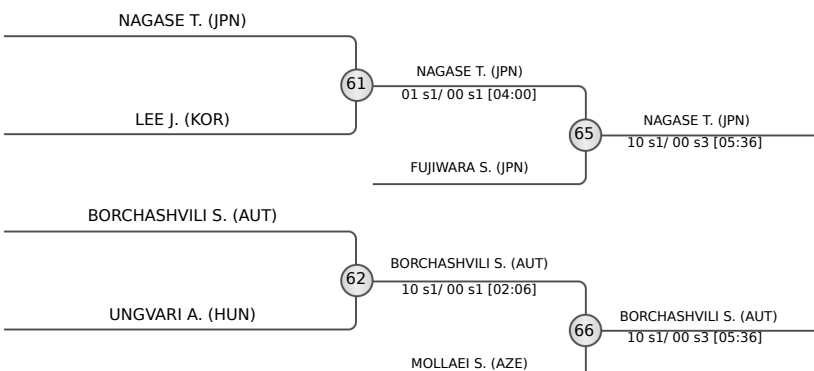


### POOL D

25	ALBAYRAK Vedat	TUR
26	DE WIT Frank	NED
27	ZHUBANAZAR Abylaikhan	KAZ
28	GERBEKOV Askerbii	BRN
29	LATISEV Mihail	MDA
30	UNGVARI Attila	HUN
31	BOLTABOEV Sharofiddin	UZB
32	GAUTHIER DRAPEAU Francois	CAN
33	MAKHMADBEKOV Somon	TJK
34	FERNANDO Joao	POR
35	FUJIWARA Sotaro	JPN
36	KIM Jonghoon	KOR



### REPECHAGE



### FINAL RESULTS

- GRIGALASHVILI Tato GEO
- CASSE Matthias BEL
- NAGASE Takanori JPN
- BORCHASHVILI Shamil AUT
- FUJIWARA Sotaro JPN
- MOLLAEI Saeid AZE
- UNGVARI Attila HUN
- LEE Joonhwan KOR



# Tashkent World Championships Senior 2022

## Uzbekistan, Tashkent, 6-12 Oct 2022

# -90 kg

Seniors (49)

### POOL A

1	BOBONOV Davlat (UZB)	2	ZILKA Peter (SVK)
3	HAN Juyeop (KOR)	4	NERPEL Gergely (HUN)
5	ZGANK Mihael (TUR)	6	EGUTIDZE Anri (POR)
7	VAN T END Noel (NED)	8	JAYNE John (USA)
9	EGUTIDZE A. (POR)	10	IVANOV Ivaylo (BUL)
11	VAN T END N. (NED)	12	USTOPIRIYON Komronshokh (TJK)
13	EGUTIDZE A. (POR)	14	MUNGAI Nicholas (ITA)
15	IVANOV I. (BUL)	16	IVANOV I. (BUL)
17	IVANOV I. (BUL)	18	IVANOV I. (BUL)
19	IVANOV I. (BUL)	20	IVANOV I. (BUL)
21	IVANOV I. (BUL)	22	IVANOV I. (BUL)
23	IVANOV I. (BUL)	24	IVANOV I. (BUL)
25	IVANOV I. (BUL)	26	IVANOV I. (BUL)
27	IVANOV I. (BUL)	28	IVANOV I. (BUL)
29	IVANOV I. (BUL)	30	IVANOV I. (BUL)
31	IVANOV I. (BUL)	32	IVANOV I. (BUL)
33	IVANOV I. (BUL)	34	IVANOV I. (BUL)
35	IVANOV I. (BUL)	36	IVANOV I. (BUL)
37	IVANOV I. (BUL)	38	IVANOV I. (BUL)
39	IVANOV I. (BUL)	40	IVANOV I. (BUL)
41	IVANOV I. (BUL)	42	IVANOV I. (BUL)
43	IVANOV I. (BUL)	44	IVANOV I. (BUL)
45	IVANOV I. (BUL)	46	IVANOV I. (BUL)
47	IVANOV I. (BUL)	48	IVANOV I. (BUL)
49	IVANOV I. (BUL)	50	IVANOV I. (BUL)
51	IVANOV I. (BUL)	52	IVANOV I. (BUL)
53	IVANOV I. (BUL)	54	IVANOV I. (BUL)
55	IVANOV I. (BUL)	56	IVANOV I. (BUL)
57	IVANOV I. (BUL)	58	IVANOV I. (BUL)
59	IVANOV I. (BUL)	60	IVANOV I. (BUL)
61	IVANOV I. (BUL)	62	IVANOV I. (BUL)
63	IVANOV I. (BUL)	64	IVANOV I. (BUL)
65	IVANOV I. (BUL)	66	IVANOV I. (BUL)
67	IVANOV I. (BUL)	68	IVANOV I. (BUL)
69	IVANOV I. (BUL)	70	IVANOV I. (BUL)
71	IVANOV I. (BUL)	72	IVANOV I. (BUL)
73	IVANOV I. (BUL)	74	IVANOV I. (BUL)
75	IVANOV I. (BUL)	76	IVANOV I. (BUL)
77	IVANOV I. (BUL)	78	IVANOV I. (BUL)
79	IVANOV I. (BUL)	80	IVANOV I. (BUL)
81	IVANOV I. (BUL)	82	IVANOV I. (BUL)
83	IVANOV I. (BUL)	84	IVANOV I. (BUL)
85	IVANOV I. (BUL)	86	IVANOV I. (BUL)
87	IVANOV I. (BUL)	88	IVANOV I. (BUL)
89	IVANOV I. (BUL)	90	IVANOV I. (BUL)

### POOL B

9	SILVA MORALES Ivan Felipe (CUB)	10	MAJDOV Nemanja (SRB)
11	GOTONOAGA Dorin (MDA)	12	FEUILLET Remi (MRI)
13	KHAMZA Didar (KAZ)	14	KLAMMERT David (CZE)
15	BEKAURI Lasha (GEO)	16	BEKAURI Lasha (GEO)
17	CASSAR Harrison (AUS)	18	MASHIYAMA Kosuke (JPN)
19	MASHIYAMA Kosuke (JPN)	20	MACEDO Rafael (BRA)
21	MACEDO Rafael (BRA)	22	MACEDO Rafael (BRA)
23	MACEDO Rafael (BRA)	24	MACEDO Rafael (BRA)
25	MACEDO Rafael (BRA)	26	MACEDO Rafael (BRA)
27	MACEDO Rafael (BRA)	28	MACEDO Rafael (BRA)
29	MACEDO Rafael (BRA)	30	MACEDO Rafael (BRA)
31	MACEDO Rafael (BRA)	32	MACEDO Rafael (BRA)
33	MACEDO Rafael (BRA)	34	MACEDO Rafael (BRA)
35	MACEDO Rafael (BRA)	36	MACEDO Rafael (BRA)
37	MACEDO Rafael (BRA)	38	MACEDO Rafael (BRA)
39	MACEDO Rafael (BRA)	40	MACEDO Rafael (BRA)
41	MACEDO Rafael (BRA)	42	MACEDO Rafael (BRA)
43	MACEDO Rafael (BRA)	44	MACEDO Rafael (BRA)
45	MACEDO Rafael (BRA)	46	MACEDO Rafael (BRA)
47	MACEDO Rafael (BRA)	48	MACEDO Rafael (BRA)
49	MACEDO Rafael (BRA)	50	MACEDO Rafael (BRA)
51	MACEDO Rafael (BRA)	52	MACEDO Rafael (BRA)
53	MACEDO Rafael (BRA)	54	MACEDO Rafael (BRA)
55	MACEDO Rafael (BRA)	56	MACEDO Rafael (BRA)
57	MACEDO Rafael (BRA)	58	MACEDO Rafael (BRA)
59	MACEDO Rafael (BRA)	60	MACEDO Rafael (BRA)
61	MACEDO Rafael (BRA)	62	MACEDO Rafael (BRA)
63	MACEDO Rafael (BRA)	64	MACEDO Rafael (BRA)
65	MACEDO Rafael (BRA)	66	MACEDO Rafael (BRA)
67	MACEDO Rafael (BRA)	68	MACEDO Rafael (BRA)
69	MACEDO Rafael (BRA)	70	MACEDO Rafael (BRA)
71	MACEDO Rafael (BRA)	72	MACEDO Rafael (BRA)
73	MACEDO Rafael (BRA)	74	MACEDO Rafael (BRA)
75	MACEDO Rafael (BRA)	76	MACEDO Rafael (BRA)
77	MACEDO Rafael (BRA)	78	MACEDO Rafael (BRA)
79	MACEDO Rafael (BRA)	80	MACEDO Rafael (BRA)
81	MACEDO Rafael (BRA)	82	MACEDO Rafael (BRA)
83	MACEDO Rafael (BRA)	84	MACEDO Rafael (BRA)
85	MACEDO Rafael (BRA)	86	MACEDO Rafael (BRA)
87	MACEDO Rafael (BRA)	88	MACEDO Rafael (BRA)
89	MACEDO Rafael (BRA)	90	MACEDO Rafael (BRA)

### POOL C

17	MEHDIYEV Mammadali (AZE)	18	PARLATI Christian (ITA)
19	PARLATI Christian (ITA)	20	KNAUF Alexander (USA)
21	BRASNJOVIC Darko (SRB)	22	TSELIDIS Theodoros (GRE)
23	TSELIDIS Theodoros (GRE)	24	BORCHASHVILI Wachid (AUT)
25	BORCHASHVILI Wachid (AUT)	26	TRIPPEL Eduard (GER)
27	TRIPPEL Eduard (GER)	28	TRIPPEL Eduard (GER)
29	TRIPPEL Eduard (GER)	30	SMINK J. (NED)
31	SMINK J. (NED)	32	SMINK J. (NED)
33	SMINK J. (NED)	34	MATHIEU Alexis (FRA)
35	MATHIEU Alexis (FRA)	36	MATHIEU Alexis (FRA)
37	MATHIEU Alexis (FRA)	38	MATHIEU Alexis (FRA)
39	MATHIEU Alexis (FRA)	40	MATHIEU Alexis (FRA)
41	MATHIEU Alexis (FRA)	42	MATHIEU Alexis (FRA)
43	MATHIEU Alexis (FRA)	44	MATHIEU Alexis (FRA)
45	MATHIEU Alexis (FRA)	46	MATHIEU Alexis (FRA)
47	MATHIEU Alexis (FRA)	48	MATHIEU Alexis (FRA)
49	MATHIEU Alexis (FRA)	50	MATHIEU Alexis (FRA)
51	MATHIEU Alexis (FRA)	52	MATHIEU Alexis (FRA)
53	MATHIEU Alexis (FRA)	54	MATHIEU Alexis (FRA)
55	MATHIEU Alexis (FRA)	56	MATHIEU Alexis (FRA)
57	MATHIEU Alexis (FRA)	58	MATHIEU Alexis (FRA)
59	MATHIEU Alexis (FRA)	60	MATHIEU Alexis (FRA)
61	MATHIEU Alexis (FRA)	62	MATHIEU Alexis (FRA)
63	MATHIEU Alexis (FRA)	64	MATHIEU Alexis (FRA)
65	MATHIEU Alexis (FRA)	66	MATHIEU Alexis (FRA)
67	MATHIEU Alexis (FRA)	68	MATHIEU Alexis (FRA)
69	MATHIEU Alexis (FRA)	70	MATHIEU Alexis (FRA)
71	MATHIEU Alexis (FRA)	72	MATHIEU Alexis (FRA)
73	MATHIEU Alexis (FRA)	74	MATHIEU Alexis (FRA)
75	MATHIEU Alexis (FRA)	76	MATHIEU Alexis (FRA)
77	MATHIEU Alexis (FRA)	78	MATHIEU Alexis (FRA)
79	MATHIEU Alexis (FRA)	80	MATHIEU Alexis (FRA)
81	MATHIEU Alexis (FRA)	82	MATHIEU Alexis (FRA)
83	MATHIEU Alexis (FRA)	84	MATHIEU Alexis (FRA)
85	MATHIEU Alexis (FRA)	86	MATHIEU Alexis (FRA)
87	MATHIEU Alexis (FRA)	88	MATHIEU Alexis (FRA)
89	MATHIEU Alexis (FRA)	90	MATHIEU Alexis (FRA)

### POOL D

25	TOTH Krisztian (HUN)	26	MOSAKHLISHVILI T. (ESP)
27	CRET Alex (ROU)	28	MOSAKHLISHVILI T. (ESP)
29	MOSAKHLISHVILI T. (ESP)	30	MADZHIDOV Dzhakhongir (TJK)
31	MADZHIDOV Dzhakhongir (TJK)	32	GUNCHENKO Stanislav (UKR)
33	GUNCHENKO Stanislav (UKR)	34	RANDL Milan (SVK)
35	RANDL Milan (SVK)	36	MAISURADZE Luka (GEO)
37	MAISURADZE Luka (GEO)	38	MAISURADZE Luka (GEO)
39	MAISURADZE Luka (GEO)	40	MAISURADZE Luka (GEO)
41	MAISURADZE Luka (GEO)	42	MAISURADZE Luka (GEO)
43	MAISURADZE Luka (GEO)	44	MAISURADZE Luka (GEO)
45	MAISURADZE Luka (GEO)	46	MAISURADZE Luka (GEO)
47	MAISURADZE Luka (GEO)	48	MAISURADZE Luka (GEO)
49	MAISURADZE Luka (GEO)	50	MAISURADZE Luka (GEO)
51	MAISURADZE Luka (GEO)	52	MAISURADZE Luka (GEO)
53	MAISURADZE Luka (GEO)	54	MAISURADZE Luka (GEO)
55	MAISURADZE Luka (GEO)	56	MAISURADZE Luka (GEO)
57	MAISURADZE Luka (GEO)	58	MAISURADZE Luka (GEO)
59	MAISURADZE Luka (GEO)	60	MAISURADZE Luka (GEO)
61	MAISURADZE Luka (GEO)	62	MAISURADZE Luka (GEO)
63	MAISURADZE Luka (GEO)	64	MAISURADZE Luka (GEO)
65	MAISURADZE Luka (GEO)	66	MAISURADZE Luka (GEO)
67	MAISURADZE Luka (GEO)	68	MAISURADZE Luka (GEO)
69	MAISURADZE Luka (GEO)	70	MAISURADZE Luka (GEO)
71	MAISURADZE Luka (GEO)	72	MAISURADZE Luka (GEO)
73	MAISURADZE Luka (GEO)	74	MAISURADZE Luka (GEO)
75	MAISURADZE Luka (GEO)	76	MAISURADZE Luka (GEO)
77	MAISURADZE Luka (GEO)	78	MAISURADZE Luka (GEO)
79	MAISURADZE Luka (GEO)	80	MAISURADZE Luka (GEO)
81	MAISURADZE Luka (GEO)	82	MAISURADZE Luka (GEO)
83	MAISURADZE Luka (GEO)	84	MAISURADZE Luka (GEO)
85	MAISURADZE Luka (GEO)	86	MAISURADZE Luka (GEO)
87	MAISURADZE Luka (GEO)	88	MAISURADZE Luka (GEO)
89	MAISURADZE Luka (GEO)	90	MAISURADZE Luka (GEO)

### REPECHAGE

61	IVANOV I. (BUL)	62	SILVA MORALES I. (CUB)
63	SILVA MORALES I. (CUB)	64	MAISURADZE L. (GEO)
65	MAISURADZE L. (GEO)	66	MOSAKHLISHVILI T. (ESP)
67	MOSAKHLISHVILI T. (ESP)	68	BEKAURI L. (GEO)
69	BEKAURI L. (GEO)	70	BEKAURI L. (GEO)
71	BEKAURI L. (GEO)	72	BEKAURI L. (GEO)
73	BEKAURI L. (GEO)	74	BEKAURI L. (GEO)
75	BEKAURI L. (GEO)	76	BEKAURI L. (GEO)
77	BEKAURI L. (GEO)	78	BEKAURI L. (GEO)
79	BEKAURI L. (GEO)	80	BEKAURI L. (GEO)
81	BEKAURI L. (GEO)	82	BEKAURI L. (GEO)
83	BEKAURI L. (GEO)	84	BEKAURI L. (GEO)
85	BEKAURI L. (GEO)	86	BEKAURI L. (GEO)
87	BEKAURI L. (GEO)	88	BEKAURI L. (GEO)
89	BEKAURI L. (GEO)	90	BEKAURI L. (GEO)

### FINAL RESULTS

- BOBONOV Davlat (UZB)
- PARLATI Christian (ITA)
- MAISURADZE Luka (GEO)
- BEKAURI Lasha (GEO)
- SILVA MORALES Ivan Felipe (CUB)
- MOSAKHLISHVILI Tristani (ESP)
- GOMES Marcelo (BRA)
- IVANOV Ivaylo (BUL)