



# Tashkent World Championships Senior 2022

## Uzbekistan, Tashkent, 6-12 Oct 2022

# -48 kg

Seniors (38)

### POOL A

	BOUKLI Shirine	FRA	1	BOUKLI S. (FRA)
	SORIANO Estefania	DOM	2	SALENS E. (BEL)
	SALENS Ellen	BEL	3	LIMA A. (BRA)
	LIMA Amanda	BRA	4	ABUZHAKYNOVA A. (KAZ)
	ABUZHAKYNOVA Abiba	KAZ	5	NIKOLIC M. (SRB)
	NIKOLIC Milica	SRB	6	POP A. (ROU)
	POP Alexandra	ROU	7	PRADO G. (USA)
	PRADO Giovanna	USA	8	BAVUUDORJ B. (MGL)
	BAVUUDORJ Baasankhuu	MGL		

### POOL B

	RISHONY Shira	ISR	9	RISHONY S. (ISR)
	SCUTTO Assunta	ITA	10	SCUTTO A. (ITA)
	AZAK Merve	TUR	11	AZAK M. (TUR)
	KURBONOVA Khalimajon	UZB	12	KURBONOVA K. (UZB)
	TSUNODA Natsumi	JPN	13	TSUNODA N. (JPN)
	MORAND Priscilla	MRI	14	LIN C. (TPE)
	LIN Chen-Hao	TPE	15	GUO Z. (CHN)
	GUO Zongying	CHN	16	MARTINEZ ABELENDA L. (ESP)
	BEDIOUI Oumaima	TUN		
	MARTINEZ ABELENDA Laura	ESP		

### POOL C

	COSTA Catarina	POR	17	COSTA C. (POR)
	MUNEME Jennie	MOZ	18	MENZ K. (GER)
	MENZ Katharina	GER	19	TANZER K. (AUT)
	TANZER Katharina	AUT	20	MILANI F. (ITA)
	MILANI Francesca	ITA	21	GANBAATAR N. (MGL)
	GANBAATAR Narantsetseg	MGL	22	LABORDE M. (USA)
	LABORDE Maria Celia	USA	23	VARGAS LEY M. (CHI)
	VARGAS LEY Mary Dee	CHI	24	HOJAGELDIYEVA A. (TKM)
	HOJAGELDIYEVA Aksoltan	TKM		

### POOL D

	TONAKI Funa	JPN	25	TONAKI F. (JPN)
	LIU Ting	CHN	26	LIU T. (CHN)
	STOJADINOV Andrea	SRB	27	MALCA Tamar
	MALCA Tamar	ISR	28	STANGAR Marusa
	STANGAR Marusa	SLO	29	BEDER T. (TUR)
	BEDER Tugce	TUR	30	ALIYEVA L. (AZE)
	ALIYEVA Leyla	AZE	31	LEE H. (KOR)
	LEE Hyekyeong	KOR	32	KANYAMUNEZA S. (BDI)
	KANYAMUNEZA Signoline	BDI		

### REPECHAGE

NIKOLIC M. (SRB)	61	SCUTTO A. (ITA)	65
SCUTTO A. (ITA)		FIGUEROA J. (ESP)	
VARGAS LEY M. (CHI)	62	VARGAS LEY M. (CHI)	66
TONAKI F. (JPN)		ABUZHAKYNOVA A. (KAZ)	



FINAL RESULTS	
1.	TSUNODA Natsumi
2.	MENZ Katharina
3.	SCUTTO Assunta
3.	ABUZHAKYNOVA Abiba
5.	FIGUEROA Julia
7.	VARGAS LEY Mary Dee
7.	TONAKI Funa
7.	NIKOLIC Milica





# Tashkent World Championships Senior 2022

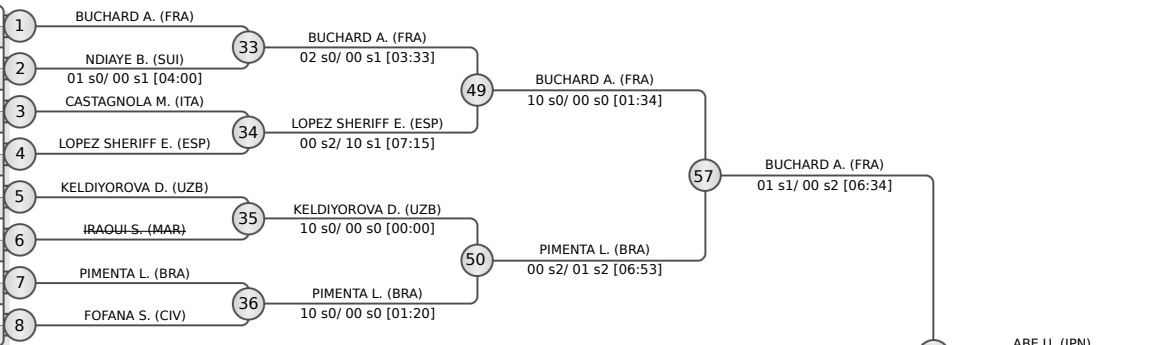
## Uzbekistan, Tashkent, 6-12 Oct 2022

# -52 kg

Seniors (34)

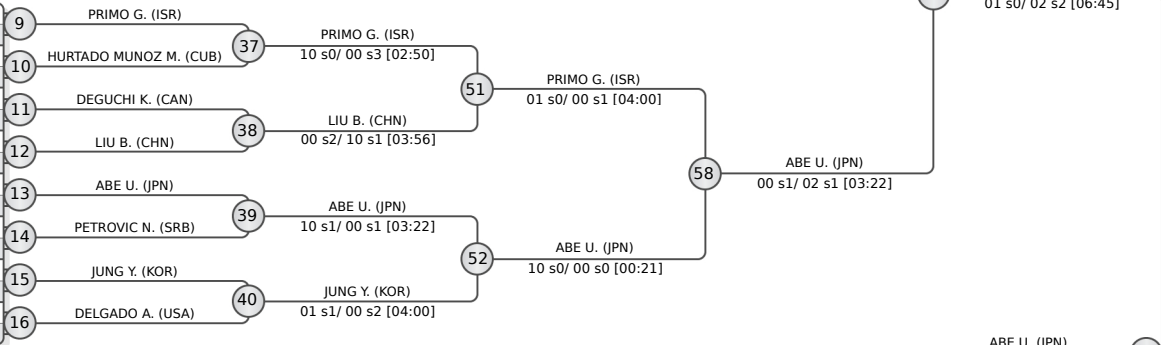
**POOL A**

	BUCHARD Amandine	FRA	1
	NDIAYE Binta	SUI	2
	MAMMADALIYEVA Gultaj	AZE	3
	CASTAGNOLA Martina	ITA	3
	LOPEZ SHERIFF Estrella	ESP	4
	KELDIYOROVA Diyora	UZB	5
	IRAQULI Soumiya	MAR	6
	PIMENTA Larissa	BRA	7
	FOFANA Salimata	CIV	8



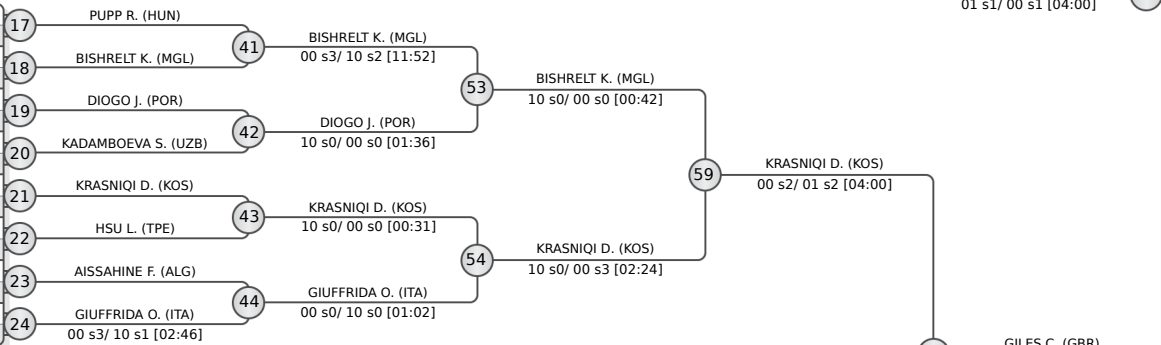
**POOL B**

	PRIMO Gefen	ISR	9
	HURTADO MUNOZ Melissa	CUB	10
	DEGUCHI Kelly	CAN	11
	LIU Ben	CHN	12
	ABE Uta	JPN	13
	PETROVIC Nadezda	SRB	14
	JUNG Yerin	KOR	15
	DELGADO Angelica	USA	16



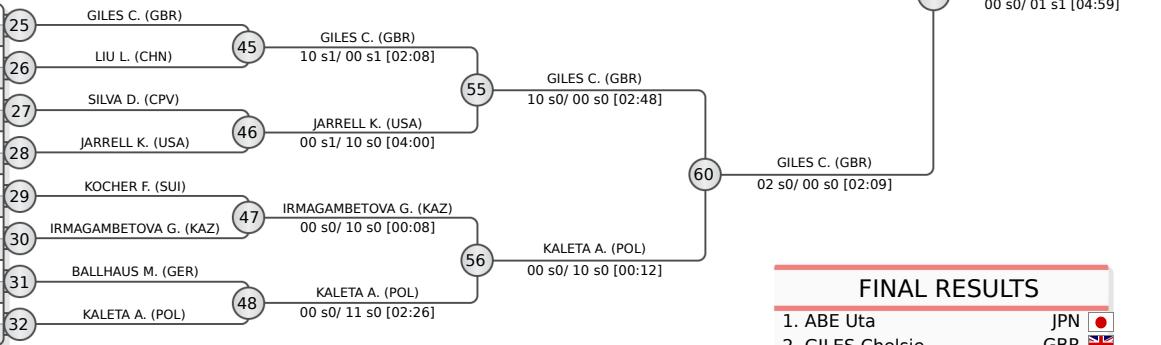
**POOL C**

	PUPP Reka	HUN	17
	BISHRELT Khorloodoi	MGL	18
	DIOGO Joana	POR	19
	KADAMBOEVA Sita	UZB	20
	KRASNIQI Distria	KOS	21
	HSU Lin Hsuan	TPE	22
	AISSAHINE Faiza	ALG	23
	NGUYEN Thuy	VIE	24
	GIUFFRIDA Odette	ITA	24



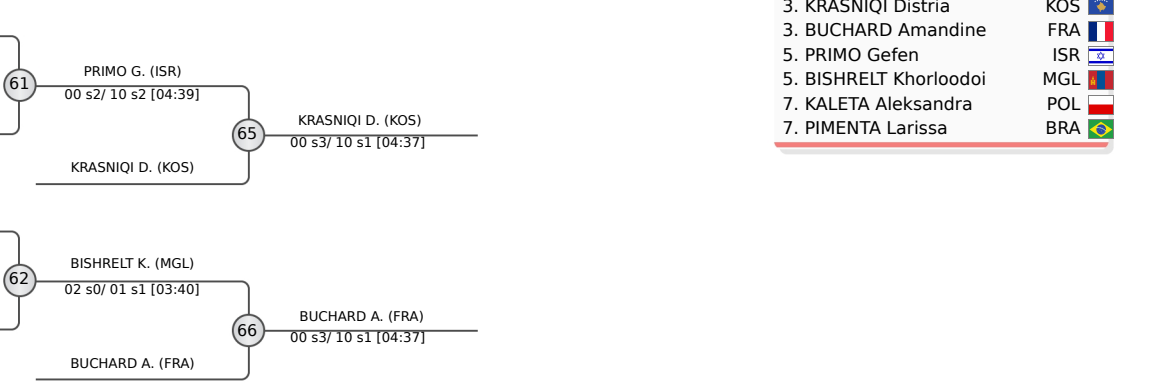
**POOL D**

	GILES Chelsie	GBR	25
	LIU Liping	CHN	26
	SILVA Djamila	CPV	27
	JARRELL Katelyn	USA	28
	KOCHER Fabienne	SUI	29
	IRMAGAMBETOVA Gaukhar	KAZ	30
	BALLHAUS Mascha	GER	31
	KALETA Aleksandra	POL	32



**REPECHAGE**

PIMENTA L. (BRA)	
PRIMO G. (ISR)	
BISHRELT K. (MGL)	
KALETA A. (POL)	



### FINAL RESULTS

1. ABE Uta JPN
2. GILES Chelsie GBR
3. KRASNIQI Distria KOS
3. BUCHARD Amandine FRA
5. PRIMO Gefen ISR
7. KALETA Aleksandra POL
7. PIMENTA Larissa BRA





# Tashkent World Championships Senior 2022

## Uzbekistan, Tashkent, 6-12 Oct 2022

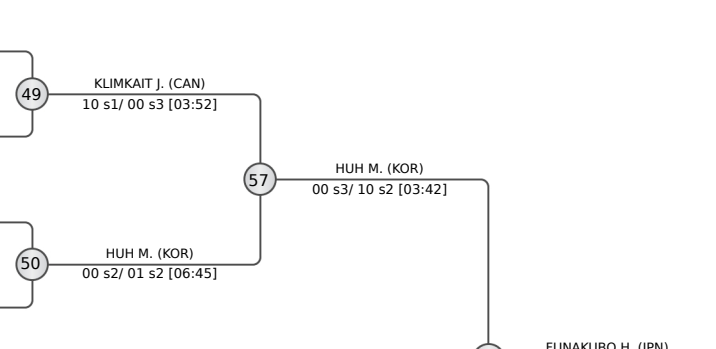
# -57 kg

Seniors (42)

### POOL A

	KLIMKAIT Jessica	CAN	1
	MARTIN Jasmine	RSA	2
	LIEN Chen-Ling	TPE	3
	LOXHA Flaka	KOS	4
	PODOLAK Arleta	POL	5
	LIBEER Mina	BEL	6
	TOPOLOVEC Tihea	CRO	7
	AMINOVA Shukurjon	UZB	8
	KOCHKONBAEVA Adina	KGZ	9
	HUH Mimi	KOR	10

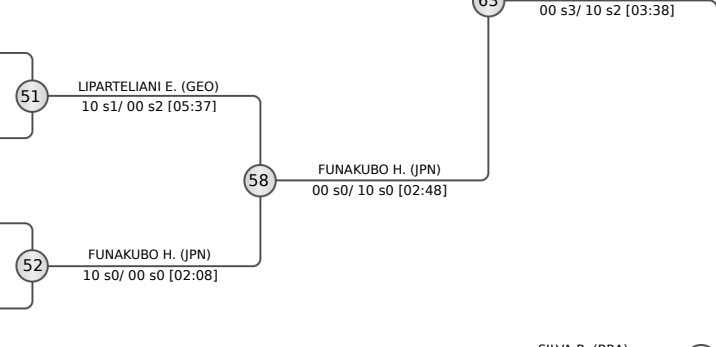
KLIMKAIT J. (CAN)	33	KLIMKAIT J. (CAN)
MARTIN J. (RSA)		10 s0/ 00 s3 [03:25]
LIEN C. (TPE)	34	LIEN C. (TPE)
PODOLAK A. (POL)		02 s1/ 00 s1 [03:07]
LIBEER M. (BEL)	35	LIBEER M. (BEL)
TOPOLOVEC T. (CRO)		01 s0/ 00 s2 [04:00]
AMINOVA S. (UZB)	36	HUH M. (KOR)
HUH M. (KOR)		00 s2/ 01 s2 [00:00]



### POOL B

	LIPARTELIANI Eteri	GEO	9
	CAI Qi	CHN	10
	PERISIC Marica	SRB	11
	TONIOLO Veronica	ITA	12
	ESTEVEZ Mariana	GUI	13
	FUNAKUBO Haruka	JPN	14
	KARAKAS Hedvig	HUN	15
	YILDIZ Ozlem	TUR	16
	LIMA Jessica	BRA	17
	MUNKHTSEDEV Ichinkhorloo	MGL	18
	ROSA Ana	DOM	19

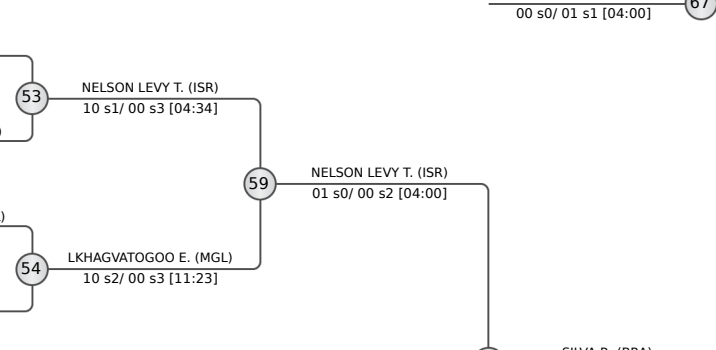
LIPARTELIANI E. (GEO)	37	LIPARTELIANI E. (GEO)
PERISIC M. (SRB)		10 s1/ 00 s1 [02:35]
TONIOLO V. (ITA)	38	TONIOLO V. (ITA)
ESTEVEZ M. (GUI)		01 s2/ 00 s2 [04:00]
FUNAKUBO H. (JPN)	39	FUNAKUBO H. (JPN)
KARAKAS H. (HUN)		10 s0/ 00 s0 [01:24]
LIMA J. (BRA)	40	LIMA J. (BRA)
ROSA A. (DOM)		02 s0/ 00 s0 [01:20]



### POOL C

	NELSON LEVY Timna	ISR	17
	KOVACS Kitti	HUN	18
	KAJZER Kaja	SLO	19
	KOWALCZYK Julia	POL	20
	ODELIN GARCIA Arnaes	CUB	21
	LKHAGVATOGOO Enkhriilen	MGL	22
	DAHOUK Muna	IRT	23
	LEGENTIL Christianne	MRI	24
	HOLGUIN Mariah	USA	25
	DEGUCHI Christa	CAN	26
	DABONNE Zouleiha Abzetta	CIV	27

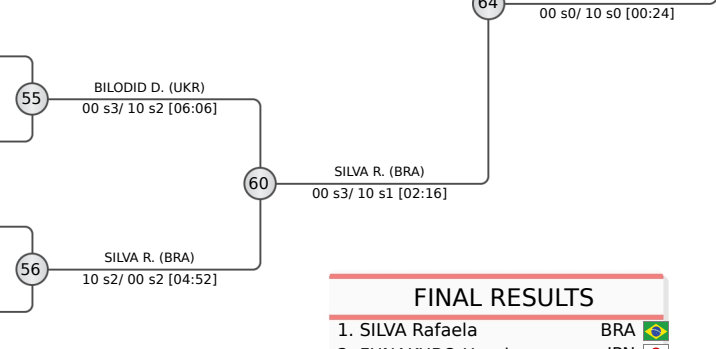
NELSON LEVY T. (ISR)	41	NELSON LEVY T. (ISR)
KOVACS K. (HUN)		01 s1/ 00 s2 [05:14]
ODELIN GARCIA A. (CUB)	42	ODELIN GARCIA A. (CUB)
LKHAGVATOGOO E. (MGL)	43	LKHAGVATOGOO E. (MGL)
LEGENTIL C. (MRI)		10 s1/ 00 s2 [03:26]
DEGUCHI C. (CAN)	44	DEGUCHI C. (CAN)
DABONNE Z. (CIV)		10 s0/ 00 s1 [02:53]



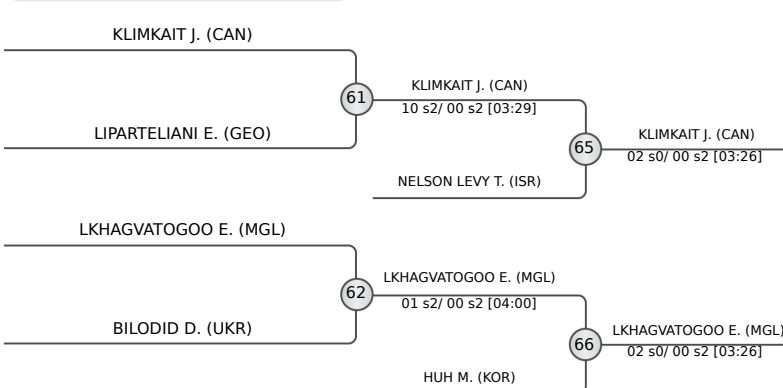
### POOL D

	CYSIQUE Sarah Leonie	FRA	25
	STARKE Pauline	GER	26
	TOPRAK Acelya	GBR	27
	NISHANBAYEVA Sevara	KAZ	28
	SAMARDZIC Andjela	BIH	29
	BILODID Daria	UKR	30
	SILVA Rafaela	BRA	31
	ERMAGANBETOVA Nilufar	UZB	32
	BREYTENBACH Donne	RSA	33
	ILIEVA Ivelina	BUL	34

CYSIQUE S. (FRA)	45	CYSIQUE S. (FRA)
STARKE P. (GER)		01 s0/ 00 s1 [04:00]
BILODID D. (UKR)	46	BILODID D. (UKR)
SILVA R. (BRA)	47	SILVA R. (BRA)
ERMAGANBETOVA N. (UZB)		10 s0/ 00 s1 [02:27]
ILIEVA I. (BUL)	48	ILIEVA I. (BUL)
		00 s0/ 10 s0 [01:07]



### REPECHAGE



### FINAL RESULTS

1.	SILVA Rafaela	BRA	
2.	FUNAKUBO Haruka	JPN	
3.	KLIMKAIT Jessica	CAN	
4.	LKHAGVATOGOO Enkhriilen	MGL	
5.	HUH Mimi	KOR	
6.	LIPARTELIANI Eteri	GEO	
7.	BILODID Daria	UKR	





# Tashkent World Championships Senior 2022

## Uzbekistan, Tashkent, 6-12 Oct 2022

# -63 kg

## Seniors (41)

### POOL A

1	RENSHALL Lucy	GBR
2	CABANA PEREZ Cristina	ESP
3	BELKADI Amina	ALG
4	BOLD Gankhaich	MGL
5	PRIMO Kerem	ISR
6	KUYULOVA Esmigul	KAZ
7	HAECKER Katharina	AUS
8	ANTIPINA Anastasiia	UKR
9	HORIKAWA Megumi	JPN
10	D ISANTO Nicolle	ITA

1	RENSHALL L. (GBR)	33	RENSHALL L. (GBR)
2	BELKADI A. (ALG)	00 s1/ 01 s2 [04:00]	10 s0/ 00 s3 [04:52]
3	PRIMO K. (ISR)	00 s3/ 10 s1 [05:15]	10 s0/ 00 s3 [02:40]
4	KUYULOVA E. (KAZ)	10 s0/ 00 s3 [02:40]	
5	HAECKER K. (AUS)		
6	ANTIPINA A. (UKR)	35	HAECKER K. (AUS)
7	HORIKAWA M. (JPN)		
8	D ISANTO N. (ITA)	36	HORIKAWA M. (JPN)
			10 s0/ 00 s1 [01:25]

49	RENSHALL L. (GBR)	10 s1/ 00 s3 [04:53]
34	PRIMO K. (ISR)	10 s0/ 00 s3 [02:40]
57	HORIKAWA M. (JPN)	00 s2/ 01 s1 [04:00]
50	HORIKAWA M. (JPN)	00 s3/ 10 s2 [03:50]
63	HORIKAWA M. (JPN)	02 s0/ 00 s1 [01:56]

### POOL B

9	LESKI Andreja	SLO
10	TIMO Barbara	POR
11	OBRADOVIC Anja	SRB
12	VAN DEN BERG Geke	NED
13	FAYE Anna Siga	SEN
14	OZBAS Szofi	HUN
15	LEE Juyeon	KOR
16	SZYMANSKA Angelika	POL
17	DELGADO FRANCES Carolina	CPV
18	GOLDEN Sara	USA

9	LESKI A. (SLO)	37	TIMO B. (POR)
10	TIMO B. (POR)	00 s1/ 01 s0 [04:23]	
11	VAN DEN BERG G. (NED)	11 s1/ 00 s2 [03:50]	
12	FAYE A. (SEN)	38	VAN DEN BERG G. (NED)
13	OZBAS S. (HUN)		11 s0/ 00 s0 [00:37]
14	LEE J. (KOR)	39	OZBAS S. (HUN)
15	SZYMANSKA A. (POL)		10 s1/ 00 s1 [02:55]
16	GOLDEN S. (USA)	40	SZYMANSKA A. (POL)
			10 s0/ 00 s0 [00:11]

51	TIMO B. (POR)	01 s1/ 00 s1 [04:00]
58	TIMO B. (POR)	10 s0/ 00 s3 [05:23]
52	SZYMANSKA A. (POL)	00 s1/ 10 s0 [03:09]
67	HORIKAWA M. (JPN)	10 s1/ 00 s1 [03:59]

### POOL C

17	BEAUCHEMIN-PINARD Catherine	CAN
18	ETOUA BLOCK Audrey Jeannette	CMR
19	FAZLIU Laura	KOS
20	KIM Jijeong	KOR
21	OBERAN Iva	CRO
22	SHARIR Gili	ISR
23	PADILLA GUERRERO Sarai	ESP
24	DEL TORO CARVAJAL Maylin	CUB
25	BAZYNSKI Nadja	GER
26	ZACHOVA Renata	CZE
27	DASHKINOVA Zulhumar	TKM

17	BEAUCHEMIN-PINARD C. (CAN)	41	BEAUCHEMIN-PINARD C. (CAN)
18	ETOUA BLOCK A. (CMR)	10 s2/ 00 s0 [02:29]	10 s0/ 00 s0 [00:54]
19	KIM J. (KOR)		
20	OBERAN I. (CRO)	42	OBERAN I. (CRO)
21	SHARIR G. (ISR)		00 s1/ 02 s1 [02:14]
22	PADILLA GUERRERO S. (ESP)	43	SHARIR G. (ISR)
23	DEL TORO CARVAJAL M. (CUB)	10 s2/ 00 s3 [05:36]	10 s2/ 00 s3 [05:52]
24	BAZYNSKI N. (GER)		
25	ZACHOVA R. (CZE)	44	ZACHOVA R. (CZE)
26	DASHKINOVA Z. (TKM)		02 s0/ 00 s0 [00:35]

53	BEAUCHEMIN-PINARD C. (CAN)	10 s0/ 00 s0 [01:08]
59	BEAUCHEMIN-PINARD C. (CAN)	10 s0/ 00 s0 [00:48]
54	ZACHOVA R. (CZE)	00 s0/ 01 s0 [04:00]
64	BEAUCHEMIN-PINARD C. (CAN)	10 s1/ 00 s0 [02:23]

### POOL D

25	QUADROS Ketleyn	BRA
26	TANG Jing	CHN
27	SANCHEZ Ariela	DOM
28	MARTIN Hannah	USA
29	IVANESCU Florentina	ROU
30	VERMEER Sanne	NED
31	NARYNOVA Moldir	KAZ
32	ISOKOVA Sevinch	UZB
33	ISAEVA Azhar	KGZ
34	DEKETER Manon	FRA

25	QUADROS K. (BRA)	45	QUADROS K. (BRA)
26	TANG J. (CHN)	10 s2/ 00 s0 [03:00]	10 s2/ 00 s2 [02:34]
27	MARTIN H. (USA)		
28	IVANESCU F. (ROU)	46	IVANESCU F. (ROU)
29	VERMEER S. (NED)		00 s3/ 10 s2 [05:23]
30	NARYNOVA M. (KAZ)	47	VERMEER S. (NED)
31	ISOKOVA S. (UZB)		10 s0/ 00 s1 [01:23]
32	ISAEVA A. (KGZ)	48	DEKETER M. (FRA)
33	DEKETER M. (FRA)		00 s1/ 10 s0 [01:13]

55	IVANESCU F. (ROU)	00 s1/ 10 s0 [02:06]
60	DEKETER M. (FRA)	00 s0/ 11 s0 [02:40]
56	DEKETER M. (FRA)	00 s1/ 10 s0 [03:30]

### REPECHAGE

61	SZYMANSKA A. (POL)	00 s0/ 02 s0 [02:45]
65	DEKETER M. (FRA)	00 s0/ 01 s1 [04:00]
62	IVANESCU F. (ROU)	00 s2/ 01 s0 [04:00]
66	TIMO B. (POR)	00 s0/ 01 s1 [04:00]

### FINAL RESULTS

- HORIKAWA Megumi JPN
- BEAUCHEMIN-PINARD Catherine CAN
- DEKETER Manon FRA
- TIMO Barbara POR
- SZYMANSKA Angelika POL
- IVANESCU Florentina ROU
- RENSHALL Lucy GBR
- ZACHOVA Renata CZE





# Tashkent World Championships Senior 2022

## Uzbekistan, Tashkent, 6-12 Oct 2022

# -70 kg

## Seniors (44)

### POOL A

1	MATIC Barbara (CRO)	33	MATIC B. (CRO)
2	BERNHOLM Anna (SWE)	34	SAMARDZIC A. (BIH)
3	JAGER Hilde (NED)	35	MATNIYAZOVA G. (UZB)
4	MOSCALU Serafima (ROU)	36	OGEL F. (TUR)
5	PETERSEN POLLARD Kelly (GBR)	37	BUTKEREIT M. (GER)
6	MATNIYAZOVA Gulnoza (UZB)	38	POGACNIK A. (SLO)
7	WRIGHT Chantal (USA)	39	PORTELA M. (BRA)
8	BIAMI Zita Ornella (CMR)	40	TANAKA S. (JPN)
		41	YEATS-BROWN K. (GBR)
		42	GOSHEN M. (ISR)
		43	CVJETKO L. (CRO)
		44	ESPOSITO M. (ITA)

### POOL B

9	BUTKEREIT Miriam (GER)	45	GAHIE M. (FRA)
10	LANDOLSI Nihel (TUN)	46	NIIZOE S. (JPN)
11	CHANG Ssu-Tzu (TPE)	47	POLLERES M. (AUT)
12	GERCSAK Szabina (HUN)	48	MAEKELBURG S. (GER)
13	POGACNIK Anka (SLO)	49	MATIC B. (CRO)
14	COUGHLAN Aoife (AUS)	50	MATNIYAZOVA G. (UZB)
15	PORTELA Maria (BRA)	51	BUTKEREIT M. (GER)
16	MAYAKOVA Anastassiya (KAZ)	52	TANAKA S. (JPN)
17	OLSEN Laerke (DEN)	53	VAN DIJKE S. (NED)
18	TANAKA Shiho (JPN)	54	CVJETKO L. (CRO)
19	CHYSTIAKOVA Nataliia (UKR)	55	NIIZOE S. (JPN)
		56	POLLERES M. (AUT)
		57	MATIC B. (CRO)
		58	TANAKA S. (JPN)
		59	CVJETKO L. (CRO)
		60	NIIZOE S. (JPN)
		61	BUTKEREIT M. (GER)
		62	VAN DIJKE S. (NED)
		63	MATIC B. (CRO)
		64	CVJETKO L. (CRO)
		65	NIIZOE S. (JPN)
		66	VAN DIJKE S. (NED)
		67	MATIC B. (CRO)

### POOL C

17	VAN DIJKE Sanne (NED)	41	VAN DIJKE S. (NED)
18	SHAHEEN Nigara (IRT)	42	GOSHEN M. (ISR)
19	YEATS-BROWN Katie-Jemima (GBR)	43	CVJETKO L. (CRO)
20	GOSHEN Maya (ISR)	44	ESPOSITO M. (ITA)
21	LIAO Yu-Jung (TPE)	45	GAHIE M. (FRA)
22	NAZAROVA Shokhista (UZB)	46	NIIZOE S. (JPN)
23	PINOT Margaux (FRA)	47	POLLERES M. (AUT)
24	CVJETKO Lara (CRO)	48	MAEKELBURG S. (GER)
25	PEREZ Maria (PUR)	49	MATIC B. (CRO)
26	WILLEMS Gabriella (BEL)	50	MATNIYAZOVA G. (UZB)
27	ESPOSITO Martina (ITA)	51	BUTKEREIT M. (GER)
		52	TANAKA S. (JPN)
		53	VAN DIJKE S. (NED)
		54	CVJETKO L. (CRO)
		55	NIIZOE S. (JPN)
		56	POLLERES M. (AUT)
		57	MATIC B. (CRO)
		58	TANAKA S. (JPN)
		59	CVJETKO L. (CRO)
		60	NIIZOE S. (JPN)
		61	BUTKEREIT M. (GER)
		62	VAN DIJKE S. (NED)
		63	MATIC B. (CRO)
		64	CVJETKO L. (CRO)
		65	NIIZOE S. (JPN)
		66	VAN DIJKE S. (NED)
		67	MATIC B. (CRO)

### POOL D

25	GAHIE Marie Eve (FRA)	45	GAHIE M. (FRA)
26	CARVALHO Luana (BRA)	46	NIIZOE S. (JPN)
27	RODRIGUEZ Elvismar (VEN)	47	POLLERES M. (AUT)
28	NIIZOE Saki (JPN)	48	MAEKELBURG S. (GER)
29	TSERENDULAM Enkhchimeg (MGL)	49	MATIC B. (CRO)
30	POLLERES Michaela (AUT)	50	MATNIYAZOVA G. (UZB)
31	SOBIERAJSKA Katarzyna (POL)	51	BUTKEREIT M. (GER)
32	TSUNODA ROUSTANT Ai (ESP)	52	TANAKA S. (JPN)
33	ERIKSSON Ida (SWE)	53	VAN DIJKE S. (NED)
34	MAEKELBURG Sarah (GER)	54	CVJETKO L. (CRO)
35	DRYSDALE DALEY Ebony (JAM)	55	NIIZOE S. (JPN)
		56	POLLERES M. (AUT)
		57	MATIC B. (CRO)
		58	TANAKA S. (JPN)
		59	CVJETKO L. (CRO)
		60	NIIZOE S. (JPN)
		61	BUTKEREIT M. (GER)
		62	VAN DIJKE S. (NED)
		63	MATIC B. (CRO)
		64	CVJETKO L. (CRO)
		65	NIIZOE S. (JPN)
		66	VAN DIJKE S. (NED)
		67	MATIC B. (CRO)

### REPECHAGE

61	BUTKEREIT M. (GER)	65	NIIZOE S. (JPN)
62	VAN DIJKE S. (NED)	66	VAN DIJKE S. (NED)
63	MATIC B. (CRO)		
64	CVJETKO L. (CRO)		
65	NIIZOE S. (JPN)		
66	VAN DIJKE S. (NED)		
67	MATIC B. (CRO)		

### FINAL RESULTS

- MATIC Barbara (CRO)
- CVJETKO Lara (CRO)
- NIIZOE Saki (JPN)
- VAN DIJKE Sanne (NED)
- BUTKEREIT Miriam (GER)
- TANAKA Shiho (JPN)
- MATNIYAZOVA Gulnoza (UZB)
- POLLERES Michaela (AUT)





# Tashkent World Championships Senior 2022

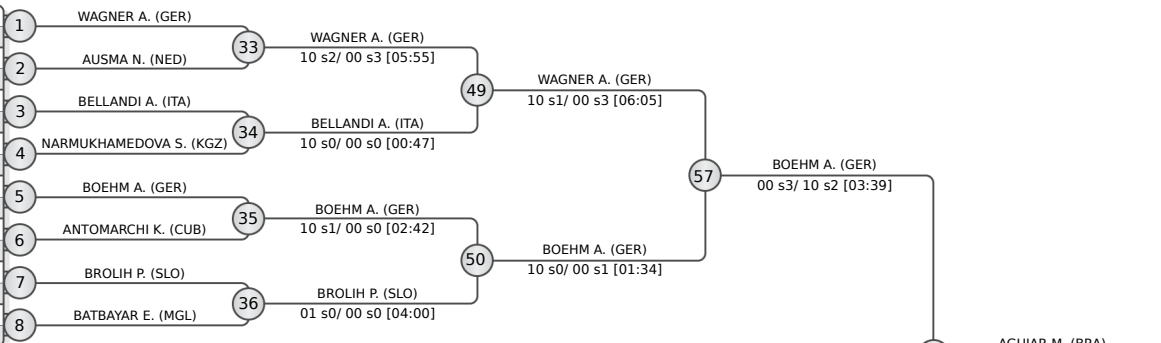
## Uzbekistan, Tashkent, 6-12 Oct 2022

# -78 kg

Seniors (33)

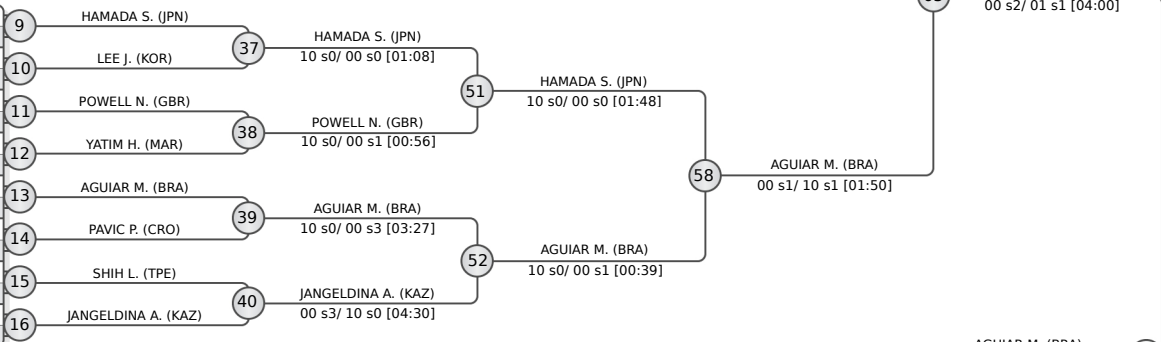
### POOL A

GER	1	WAGNER Anna-Maria
NED	2	AUSMA Natascha
ITA	3	BELLANDI Alice
KGZ	4	NARUKHAMEDOVA Shakhida
GER	5	BOEHM Alina
CUB	6	ANTOMARCHI Kaliema
SLO	7	BROLIH Patricija
MGL	8	BATBAYAR Erdenet-Od



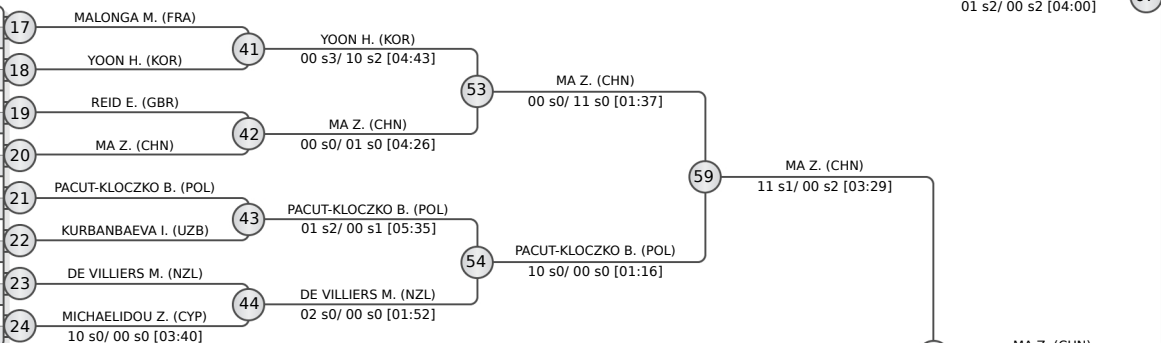
### POOL B

JPN	9	HAMADA Shori
KOR	10	LEE Jeongyun
GBR	11	POWELL Natalie
MAR	12	YATIM Hafsa
BRA	13	AGUIAR Mayra
CRO	14	PAVIC Petrunjela
TPE	15	SHIH Liu Li-Ling
KAZ	16	JANGELDINA Aruna



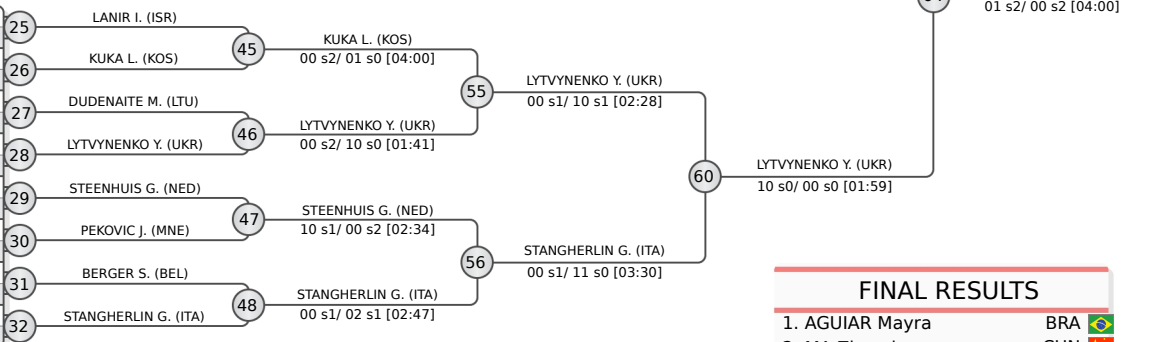
### POOL C

FRA	17	MALONGA Madeleine
KOR	18	YOON Hyunji
GBR	19	REID Emma
CHN	20	MA Zhenzhao
POL	21	PACUT-KLOCZKO Beata
UZB	22	KURBANBAEVA Iriskhon
NZL	23	DE VILLIERS Moira
CYP	24	MICHAELIDOU Zanet
CMR	24	ARREY SOPHINA Ayuk Otay



### POOL D

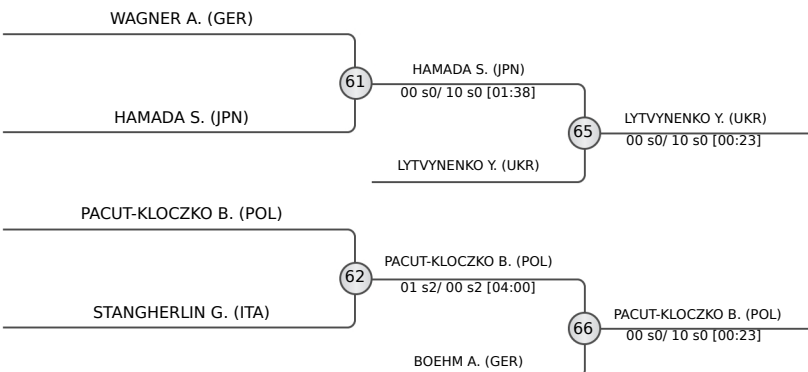
ISR	25	LANIR Inbar
KOS	26	KUKA Lorian
LTU	27	DUDENAITE Migle
UKR	28	LYTVYENKO Yelyzaveta
NED	29	STEENHUIS Guusje
MNE	30	PEKOVIC Jovana
BEL	31	BERGER Sophie
ITA	32	STANGHERLIN Giorgia



### FINAL RESULTS

1.	AGUIAR Mayra	BRA
2.	MA Zhenzhao	CHN
3.	LYTVYENKO Yelyzaveta	UKR
3.	PACUT-KLOCZKO Beata	POL
5.	HAMADA Shori	JPN
7.	BOEHM Alina	GER
7.	WAGNER Anna-Maria	GER
7.	STANGHERLIN Giorgia	ITA

### REPECHAGE





# Tashkent World Championships Senior 2022

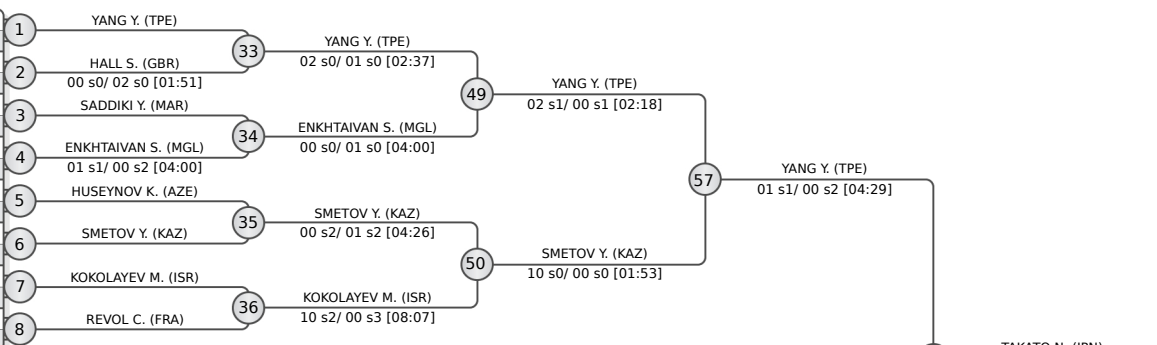
## Uzbekistan, Tashkent, 6-12 Oct 2022

# -60 kg

## Seniors (42)

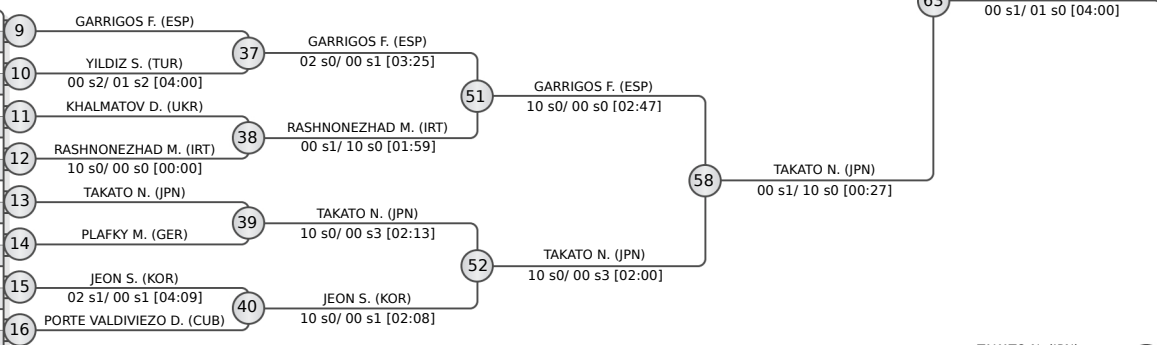
**POOL A**

1	YANG Yung Wei	TPE
2	KUWABARA Allan	BRA
3	HALL Samuel	GBR
4	SADDIKI Younes	MAR
5	ENKHTAIVAN Sumiyabazar	MGL
6	SAMY Yousry	EGY
7	HUSEYNOV Karamat	AZE
8	SMETOV Yeldos	KAZ
9	KOKOLAYEV Matan	ISR
10	REVOL Cedric	FRA



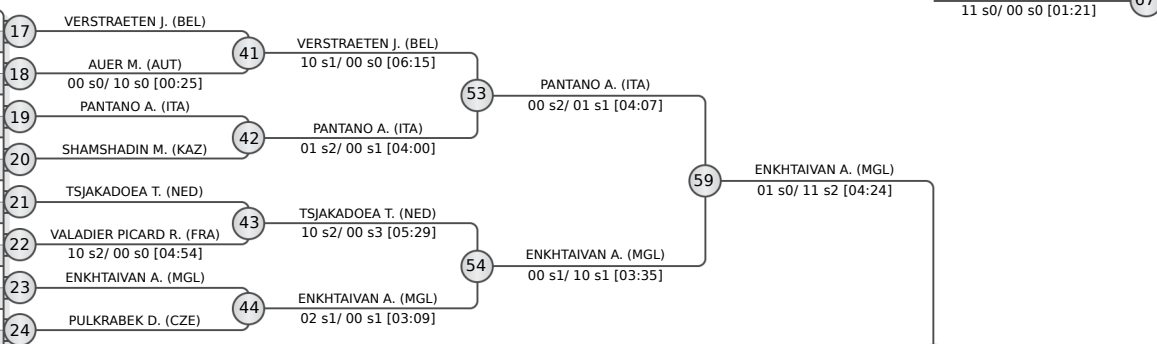
**POOL B**

9	GARRIGOS Francisco	ESP
10	STARKEL David	SLO
11	YILDIZ Salih	TUR
12	KHALMATOV Dilshot	UKR
13	RASHNONEZHAD Mohammad	IRT
14	JUMAYEV Hakberdi	TKM
15	TAKATO Naohisa	JPN
16	PLAFKY Moritz	GER
17	JEON Seungbeom	KOR
18	KARAKIZIDI Savva	GRE
19	PORTE VALDIVIEZO Danny	CUB



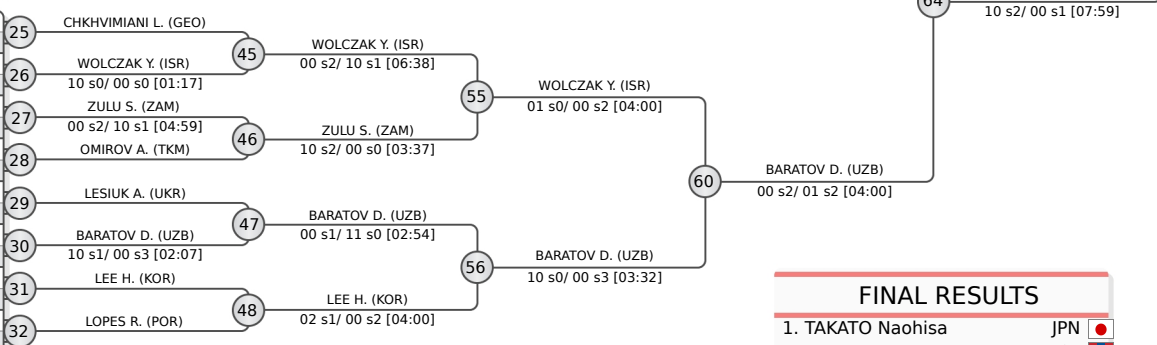
**POOL C**

17	VERSTRAETEN Jorre	BEL
18	SEIBOU KANGAYE Souleymane	NIG
19	AUER Marcus	AUT
20	PANTANO Angelo	ITA
21	SHAMSHADIN Magzhan	KAZ
22	TSJAKADOEVA Tornike	NED
23	VALADIER PICARD Romain	FRA
24	YRYSBEKOV Khanbolot	KGZ
25	ENKHTAIVAN Ariunbold	MGL
26	PULKRABEK David	CZE



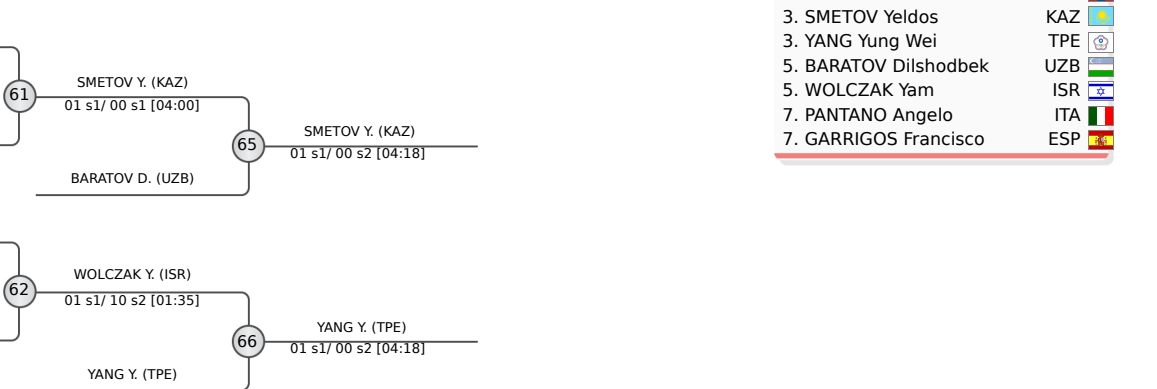
**POOL D**

25	CHKHVIMIANI Lukhumi	GEO
26	WOLCZAK Yam	ISR
27	DIAZ Adonis	USA
28	DABONE Daouda	CIV
29	ZULU Simon	ZAM
30	OMIROV Aybek	TKM
31	LESIUK Artem	UKR
32	BARATOV Dilshodbek	UZB
33	AKKASH Mohamad	IRT
34	LEE Harim	KOR
35	LOPES Rodrigo Costa	POR



**REPECHAGE**

61	SMETOV Y. (KAZ)
62	GARRIGOS F. (ESP)
63	PANTANO A. (ITA)
64	WOLCZAK Y. (ISR)



FINAL RESULTS	
1.	TAKATO Naohisa JPN
2.	ENKHTAIVAN Ariunbold MGL
3.	SMETOV Yeldos KAZ
4.	YANG Yung Wei TPE
5.	BARATOV Dilshodbek UZB
6.	WOLCZAK Yam ISR
7.	PANTANO Angelo ITA
8.	GARRIGOS Francisco ESP





# Tashkent World Championships Senior 2022

## Uzbekistan, Tashkent, 6-12 Oct 2022

# -66 kg

## Seniors (44)

### POOL A

1	VIERU Denis (MDA)	33	VIERU D. (MDA)
2	BUNCIC Strahinja (SRB)	34	BUNCIC S. (SRB)
3	FLICKER Tai (ISR)	35	SLAMBERGER L. (GER)
4	SLAMBERGER Lennart (GER)	36	SLAMBERGER L. (GER)
5	POSTIGOS Juan (PER)	37	GAITERO MARTIN A. (ESP)
6	GAITERO MARTIN Alberto (ESP)	38	GAITERO MARTIN A. (ESP)
7	SAFAROV Orkhan (AZE)	39	SAFAROV O. (AZE)
8	SAFAROV O. (AZE)	40	SAFAROV O. (AZE)
9	WAIZENEGGER Freddy (SUI)	41	WAIZENEGGER F. (SUI)
10	ALHASSANE Ismael (NIG)	42	WAIZENEGGER F. (SUI)
11	NURILLAEV S. (UZB)	43	WAIZENEGGER F. (SUI)
12	IADOV Bogdan (UKR)	44	IADOV B. (UKR)
13	IADOV B. (UKR)	45	IADOV B. (UKR)

### POOL B

9	ABE Hifumi (JPN)	37	ABE H. (JPN)
10	TAKABATAKE Eric (BRA)	38	SAHA L. (FIN)
11	SAHA Luukas (FIN)	39	SAHA L. (FIN)
12	POLANCO Orlando (CUB)	40	POLANCO O. (CUB)
13	EMOMALI Nurali (TJK)	41	EMOMALI N. (TJK)
14	EMOMALI N. (TJK)	42	EMOMALI N. (TJK)
15	YONDONPERENLEI Baskhuu (MGL)	43	YONDONPERENLEI B. (MGL)
16	YONDONPERENLEI B. (MGL)	44	YONDONPERENLEI B. (MGL)
17	ABDELMAWGOUD Mohamed (EGY)	45	KODZHAKOV R. (BRN)
18	KODZHAKOV Ramazan (BRN)	46	KODZHAKOV R. (BRN)
19	MANZI Elios (ITA)	47	MANZI E. (ITA)
20	TEMEJKOV Bozhidar (BUL)	48	MANZI E. (ITA)
21	MUNGANDU Steven (ZAM)	49	MANZI E. (ITA)
22	MUNGANDU S. (ZAM)	50	MANZI E. (ITA)

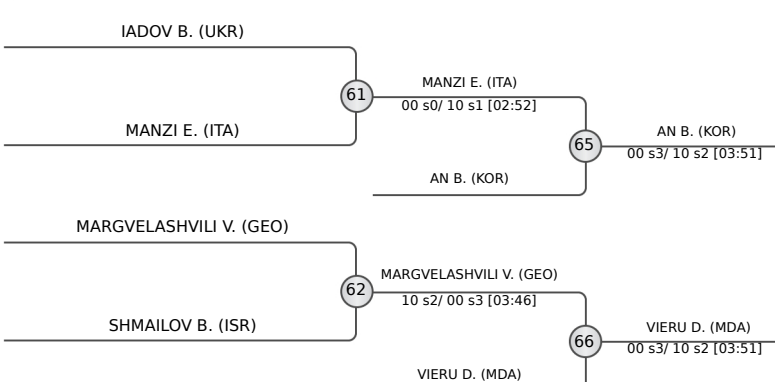
### POOL C

17	MARGVELASHVILI Vazha (GEO)	41	MARGVELASHVILI V. (GEO)
18	BOUSHITA Abderrahmane (MAR)	42	BOUSHITA A. (MAR)
19	DEMIREL Muhammed (TUR)	43	BOUSHITA A. (MAR)
20	MARANDIAN Karo (UKR)	44	MARANDIAN K. (UKR)
21	RAMIREZ Isaiiah (USA)	45	MARANDIAN K. (UKR)
22	RAMIREZ I. (USA)	46	MARANDIAN K. (UKR)
23	LIMA Willian (BRA)	47	LIMA W. (BRA)
24	LIMA W. (BRA)	48	LIMA W. (BRA)
25	IZVOREANU Radu (MDA)	49	IZVOREANU R. (MDA)
26	GERCHEV Yanislav (BUL)	50	IZVOREANU R. (MDA)
27	VERHORSTERT Ivo (NED)	51	VERHORSTERT I. (NED)
28	MARUYAMA Joshiro (JPN)	52	MARUYAMA J. (JPN)
29	BORS DUMITRESCU Lucian (ROU)	53	MARUYAMA J. (JPN)
30	MARUYAMA J. (JPN)	54	MARUYAMA J. (JPN)

### POOL D

25	AN Baul (KOR)	45	AN B. (KOR)
26	PIRAS Matteo (ITA)	46	KYRGYZBAYEV G. (KAZ)
27	KYRGYZBAYEV Gusman (KAZ)	47	KYRGYZBAYEV G. (KAZ)
28	NIETO CHINARRO Adrian (ESP)	48	NIETO CHINARRO A. (ESP)
29	NAJAFOV Yashar (AZE)	49	NIETO CHINARRO A. (ESP)
30	NOSRATI Miad (IRT)	50	NIETO CHINARRO A. (ESP)
31	SHMAILOV Baruch (ISR)	51	SHMAILOV B. (ISR)
32	SHMAILOV B. (ISR)	52	SHMAILOV B. (ISR)
33	SANCHO CHINCHILA Ian (CRC)	53	SANCHO CHINCHILA I. (CRC)
34	SANCHO CHINCHILA I. (CRC)	54	SANCHO CHINCHILA I. (CRC)
35	GANBOLD Kherlen (MGL)	55	KHYAR W. (FRA)
36	KHYAR Walide (FRA)	56	KHYAR W. (FRA)
37	EZZINE Wail (ALG)	57	KHYAR W. (FRA)
38	EZZINE W. (ALG)	58	KHYAR W. (FRA)

### REPECHAGE



### FINAL RESULTS

1. ABE Hifumi (JPN)
2. MARUYAMA Joshiro (JPN)
3. AN Baul (KOR)
3. VIERU Denis (MDA)
5. MANZI Elios (ITA)
5. MARGVELASHVILI Vazha (GEO)
7. SHMAILOV Baruch (ISR)
7. IADOV Bogdan (UKR)





# Tashkent World Championships Senior 2022

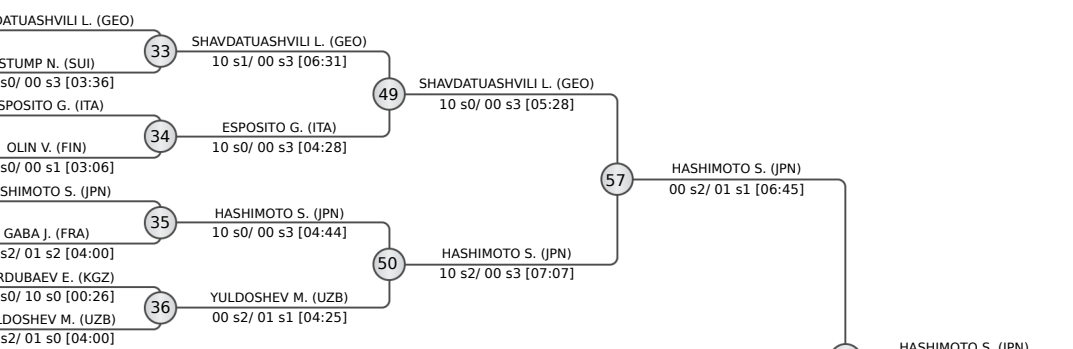
## Uzbekistan, Tashkent, 6-12 Oct 2022

# -73 kg

Seniors (51)

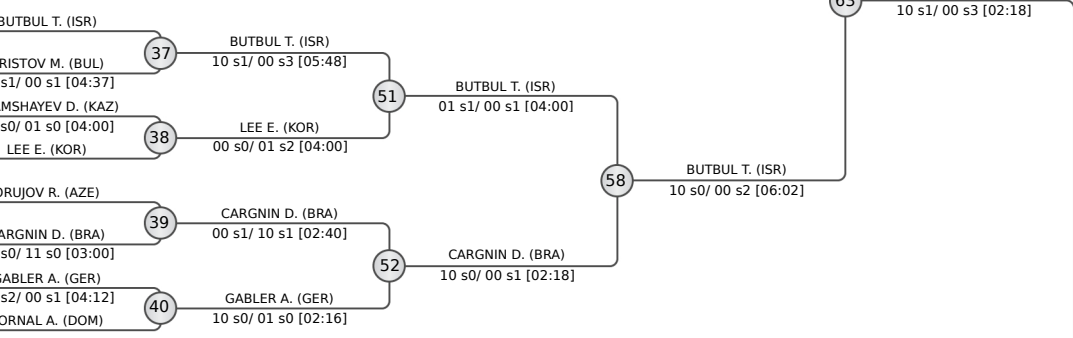
**POOL A**

1	SHAVDATUASHVILI Lasha	GEO	1	SHAVDATUASHVILI L. (GEO)	
2	STUMP Nils	SUI	2	STUMP N. (SUI)	
3	SARAKHONOV Muhammadrahim	TJK	3	ESPOSITO Giovanni	ITA
4	OLIN Valtteri	FIN	4	OLIN V. (FIN)	
5	SANCHO Julian	CRC	5	HASHIMOTO Soichi	JPN
6	DRIS Messaoud Redouane	ALG	6	GABA J. (FRA)	FRA
7	GABA Joan-Benjamin	FRA	7	TURDUBAEV Ertur	KGZ
8	JAUHARI Jawid	IRT	8	NJIE Faye	GAM
				YULDOSHEV Murodjon	UZB



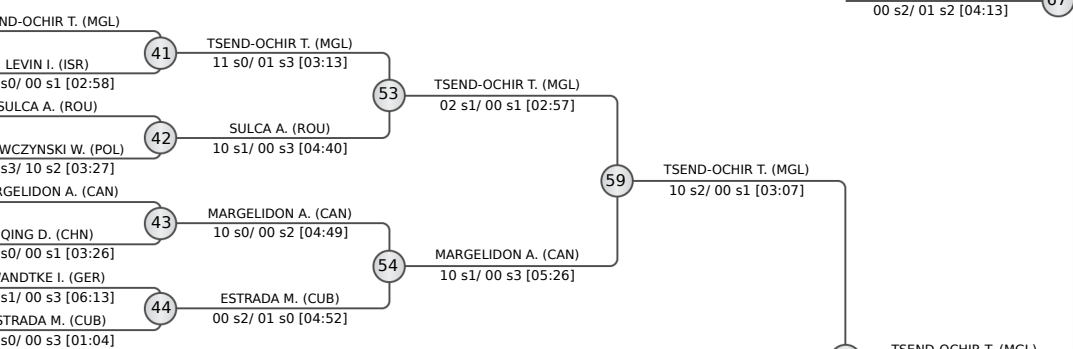
**POOL B**

9	BUTBUL Tohar	ISR	9	BUTBUL T. (ISR)	
10	HRISTOV Mark	BUL	10	HRISTOV M. (BUL)	
11	TSOUTLASVILI Michail	GRE	11	SHAMSHAYEV D. (KAZ)	USA
12	YONEZUKA Jack	USA	12	LEE Eunkyul	KOR
13	SHAMSHAYEV Daniyar	KAZ	13	ORUJOV Rustam	AZE
14	LEE Eunkyul	KOR	14	RAICU Alexandru	ROU
15	ORUJOV Rustam	AZE	15	CARGNIN Daniel	BRA
16	RAICU Alexandru	ROU	16	GABLER Alexander Bernd	GER
				STODOLSKI Adam	POL
				TORNAL Antonio	DOM



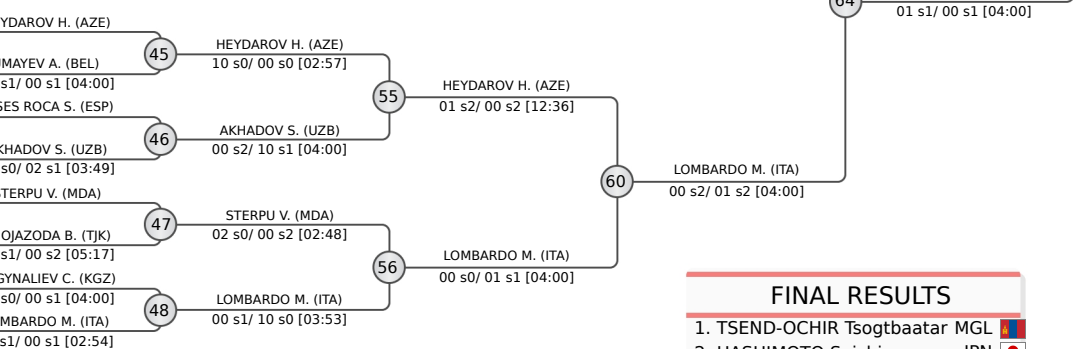
**POOL C**

17	TSEND-OCHIR Tsogtbaatar	MGL	17	TSEND-OCHIR T. (MGL)	
18	LEVIN Ido	ISR	18	LEVIN I. (ISR)	
19	HAMAD Sulaiman	KSA	19	SULCA Adrian	ROU
20	SULCA Adrian	ROU	20	MROWCZYNSKI Wiktor	POL
21	HOJAK Martin	SLO	21	MARGELIDON Arthur	CAN
22	MROWCZYNSKI Wiktor	POL	22	QING Daga	CHN
23	MARGELIDON Arthur	CAN	23	POCHOP Daniel	CZE
24	QING Daga	CHN	24	WANDTKE Igor	GER
				BEN CHALBI Aledine	TUN
				ESTRADA Magdiel	CUB
				ALIKAJ Ahmad	IRT

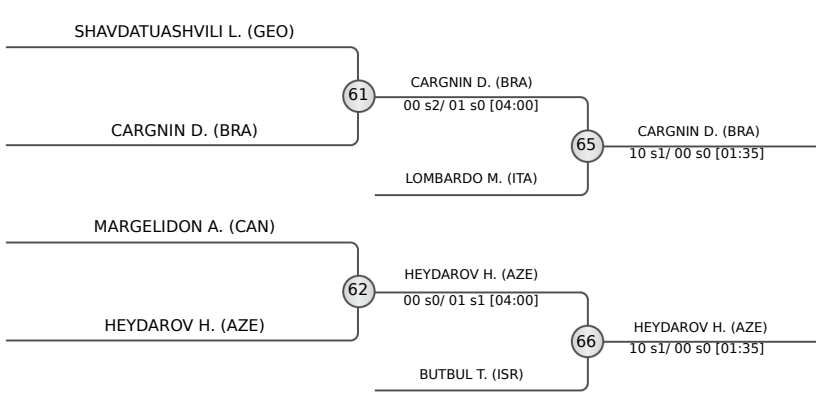


**POOL D**

25	HEYDAROV Hidayat	AZE	25	HEYDAROV H. (AZE)	
26	UMAYEV Abdul Malik	BEL	26	UMAYEV A. (BEL)	
27	ABDELMOUATY Ali	EGY	27	CASES ROCA Salvador	ESP
28	CASES ROCA Salvador	ESP	28	AKHADOV S. (UZB)	USA
29	RODRIGUEZ Dominic	USA	29	STERPU Victor	MDA
30	AKHADOV Shakhram	UZB	30	KHOJAZODA Behruzi	TJK
31	STERPU Victor	MDA	31	AXUS Benjamin	FRA
32	KHOJAZODA Behruzi	TJK	32	SAGYNALIEV Chyngyzkhan	KGZ
				NAKANO Keisei	PHI
				LOMBARDO Manuel	ITA
				KHOMULA Artem	UKR



**REPECHAGE**



### FINAL RESULTS

1. TSEND-OCHIR Tsogtbaatar MGL
2. HASHIMOTO Soichi JPN
3. CARGNIN Daniel BRA
4. HEYDAROV Hidayat AZE
5. LOMBARDO Manuel ITA
6. BUTBUL Tohar ISR
7. MARGELIDON Arthur CAN
8. SHAVDATUASHVILI Lasha GEO





# Tashkent World Championships Senior 2022

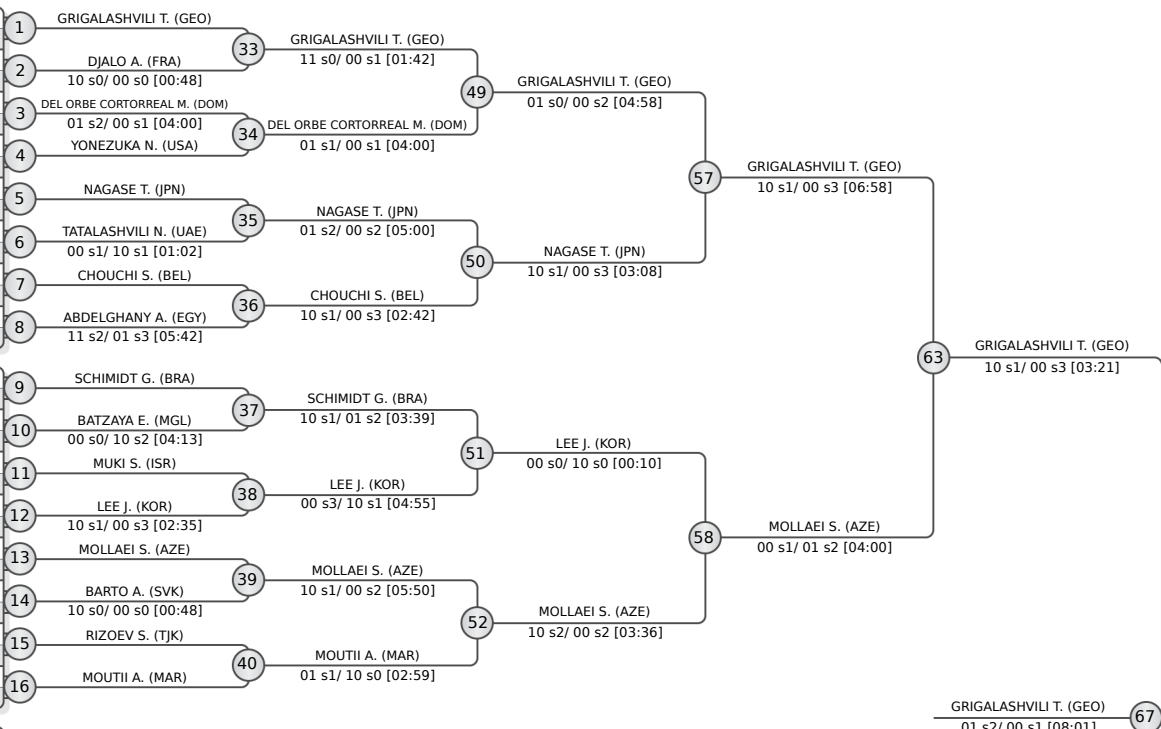
## Uzbekistan, Tashkent, 6-12 Oct 2022

# -81 kg

Seniors (47)

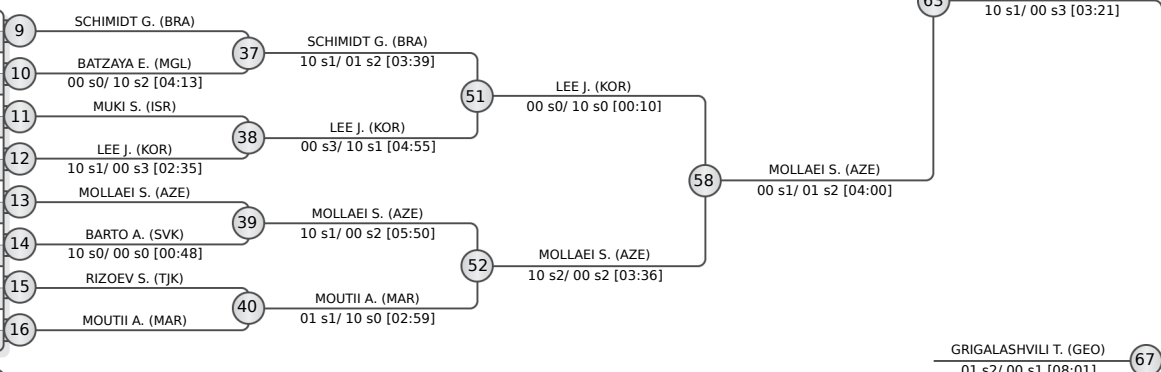
### POOL A

1	GRIGALASHVILI Tato	GEO
2	DJALO Alpha Oumar	FRA
3	DRZYMAL Pawel	POL
4	DEL ORBE CORTORREAL Medickson	DOM
5	RESSEL Dominic	GER
6	YONEZUKA Nicolas	USA
7	NAGASE Takanori	JPN
8	MANUKIAN Hievorh	UKR
9	TATALASHVILI Nugzari	AZE
10	CHOUCHI Sami	BEL
11	ABDELGHANY Abdelrahman	EGY
12	ZOLOEV Vladimir	KGZ



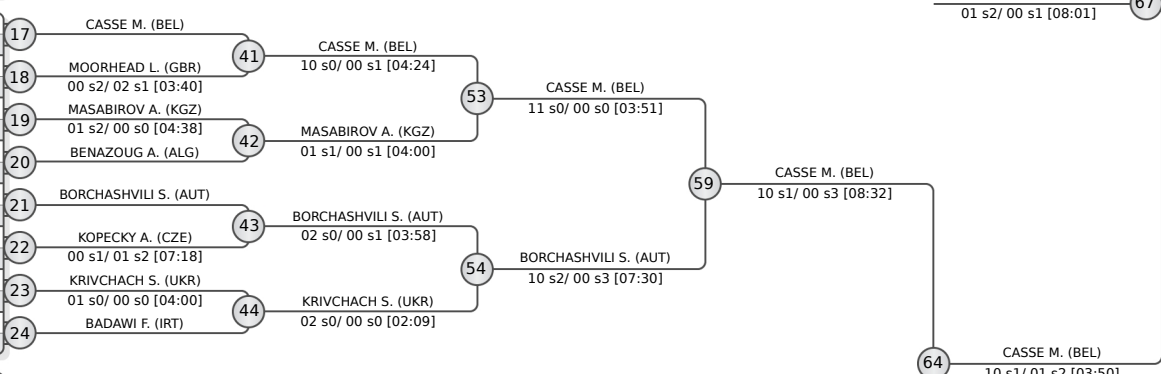
### POOL B

9	SCHIMIDT Guilherme	BRA
10	ESPOSITO Antonio	ITA
11	BATZAYA Erdenebayar.	MGL
12	MUKI Sagi	ISR
13	LEE Joonhwan	KOR
14	MYLONELIS Athanasios	GRE
15	MOLLAEI Saeid	AZE
16	BARTO Alex	SVK
17	ZABOROSCIUC Nikon	MDA
18	RIZOEVI Shodmon	TJK
19	MOUTII Achraf	MAR



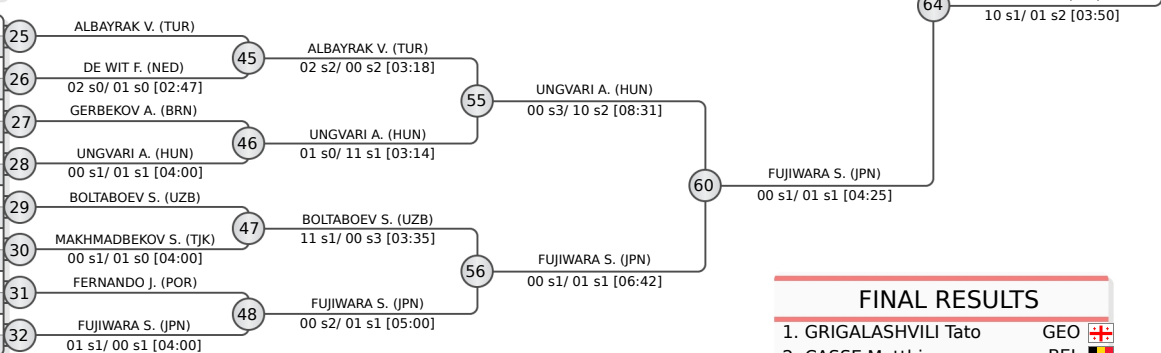
### POOL C

17	CASSE Matthias	BEL
18	HAIJYEV Eljan	AZE
19	MOORHEAD Lachlan	GBR
20	MASABIROV Asad	KGZ
21	MARCINKIEWICZ Sebastian	POL
22	BENAZOUG Aghiles-Imad	ALG
23	BORCHASHVILI Shamil	AUT
24	URQUIZA SOLANA Alfonso	ESP
25	KOPECKY Adam	CZE
26	KRIVCHACH Sergii	UKR
27	GANDIA Adrian	PUR
28	BADAWI Fares	IRT

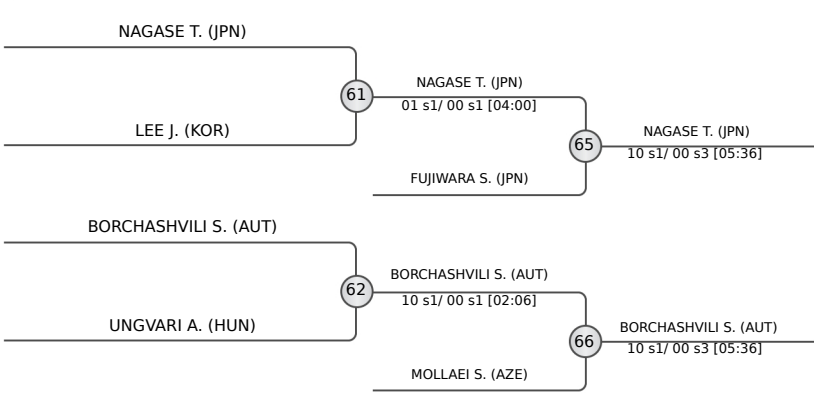


### POOL D

25	ALBAYRAK Vedat	TUR
26	DE WIT Frank	NED
27	ZHUBANAZAR Abylaikhan	KAZ
28	GERBEKOV Askerbii	BRN
29	LATISEV Mihail	MDA
30	UNGVARI Attila	HUN
31	BOLTABOEV Sharofiddin	UZB
32	GAUTHIER DRAPEAU Francois	CAN
33	MAKHMADBEKOV Somon	TJK
34	FERNANDO Joao	POR
35	FUJIWARA Sotaro	JPN
36	KIM Jonghoon	KOR



### REPECHAGE



### FINAL RESULTS

- GRIGALASHVILI Tato GEO
- CASSE Matthias BEL
- NAGASE Takanori JPN
- BORCHASHVILI Shamil AUT
- FUJIWARA Sotaro JPN
- MOLLAEI Saeid AZE
- UNGVARI Attila HUN
- LEE Joonhwan KOR





# Tashkent World Championships Senior 2022

## Uzbekistan, Tashkent, 6-12 Oct 2022

# -90 kg

## Seniors (49)

### POOL A

1	BOBONOV Davlat (UZB)	2	ZILKA Peter (SVK)
3	HAN Juyeop (KOR)	4	NERPEL Gergely (HUN)
5	ZGANK Mihael (TUR)	6	EGUTIDZE Anri (POR)
7	VAN T END Noel (NED)	8	JAYNE John (USA)
9	EGUTIDZE A. (POR)	10	IVANOV Ivaylo (BUL)
11	VAN T END N. (NED)	12	USTOPIRIYON Komronshokh (TJK)
13	EGUTIDZE A. (POR)	14	MUNGAI Nicholas (ITA)
15	IVANOV I. (BUL)	16	IVANOV I. (BUL)
17	IVANOV I. (BUL)	18	IVANOV I. (BUL)
19	IVANOV I. (BUL)	20	IVANOV I. (BUL)
21	IVANOV I. (BUL)	22	IVANOV I. (BUL)
23	IVANOV I. (BUL)	24	IVANOV I. (BUL)
25	IVANOV I. (BUL)	26	IVANOV I. (BUL)
27	IVANOV I. (BUL)	28	IVANOV I. (BUL)
29	IVANOV I. (BUL)	30	IVANOV I. (BUL)
31	IVANOV I. (BUL)	32	IVANOV I. (BUL)
33	IVANOV I. (BUL)	34	IVANOV I. (BUL)
35	IVANOV I. (BUL)	36	IVANOV I. (BUL)
37	IVANOV I. (BUL)	38	IVANOV I. (BUL)
39	IVANOV I. (BUL)	40	IVANOV I. (BUL)
41	IVANOV I. (BUL)	42	IVANOV I. (BUL)
43	IVANOV I. (BUL)	44	IVANOV I. (BUL)
45	IVANOV I. (BUL)	46	IVANOV I. (BUL)
47	IVANOV I. (BUL)	48	IVANOV I. (BUL)
49	IVANOV I. (BUL)	50	IVANOV I. (BUL)
51	IVANOV I. (BUL)	52	IVANOV I. (BUL)
53	IVANOV I. (BUL)	54	IVANOV I. (BUL)
55	IVANOV I. (BUL)	56	IVANOV I. (BUL)
57	IVANOV I. (BUL)	58	IVANOV I. (BUL)
59	IVANOV I. (BUL)	60	IVANOV I. (BUL)
61	IVANOV I. (BUL)	62	IVANOV I. (BUL)
63	IVANOV I. (BUL)	64	IVANOV I. (BUL)
65	IVANOV I. (BUL)	66	IVANOV I. (BUL)
67	IVANOV I. (BUL)	68	IVANOV I. (BUL)
69	IVANOV I. (BUL)	70	IVANOV I. (BUL)
71	IVANOV I. (BUL)	72	IVANOV I. (BUL)
73	IVANOV I. (BUL)	74	IVANOV I. (BUL)
75	IVANOV I. (BUL)	76	IVANOV I. (BUL)
77	IVANOV I. (BUL)	78	IVANOV I. (BUL)
79	IVANOV I. (BUL)	80	IVANOV I. (BUL)
81	IVANOV I. (BUL)	82	IVANOV I. (BUL)
83	IVANOV I. (BUL)	84	IVANOV I. (BUL)
85	IVANOV I. (BUL)	86	IVANOV I. (BUL)
87	IVANOV I. (BUL)	88	IVANOV I. (BUL)
89	IVANOV I. (BUL)	90	IVANOV I. (BUL)

### POOL B

9	SILVA MORALES Ivan Felipe (CUB)	10	MAJDOV Nemanja (SRB)
11	GOTONOAGA Dorin (MDA)	12	FEUILLET Remi (MRI)
13	KHAMZA Didar (KAZ)	14	KLAMMERT David (CZE)
15	BEKAURI Lasha (GEO)	16	BEKAURI Lasha (GEO)
17	CASSAR Harrison (AUS)	18	MASHIYAMA Kosuke (JPN)
19	MASHIYAMA Kosuke (JPN)	20	MACEDO Rafael (BRA)
21	MACEDO Rafael (BRA)	22	MACEDO Rafael (BRA)
23	MACEDO Rafael (BRA)	24	MACEDO Rafael (BRA)
25	MACEDO Rafael (BRA)	26	MACEDO Rafael (BRA)
27	MACEDO Rafael (BRA)	28	MACEDO Rafael (BRA)
29	MACEDO Rafael (BRA)	30	MACEDO Rafael (BRA)
31	MACEDO Rafael (BRA)	32	MACEDO Rafael (BRA)
33	MACEDO Rafael (BRA)	34	MACEDO Rafael (BRA)
35	MACEDO Rafael (BRA)	36	MACEDO Rafael (BRA)
37	MACEDO Rafael (BRA)	38	MACEDO Rafael (BRA)
39	MACEDO Rafael (BRA)	40	MACEDO Rafael (BRA)
41	MACEDO Rafael (BRA)	42	MACEDO Rafael (BRA)
43	MACEDO Rafael (BRA)	44	MACEDO Rafael (BRA)
45	MACEDO Rafael (BRA)	46	MACEDO Rafael (BRA)
47	MACEDO Rafael (BRA)	48	MACEDO Rafael (BRA)
49	MACEDO Rafael (BRA)	50	MACEDO Rafael (BRA)
51	MACEDO Rafael (BRA)	52	MACEDO Rafael (BRA)
53	MACEDO Rafael (BRA)	54	MACEDO Rafael (BRA)
55	MACEDO Rafael (BRA)	56	MACEDO Rafael (BRA)
57	MACEDO Rafael (BRA)	58	MACEDO Rafael (BRA)
59	MACEDO Rafael (BRA)	60	MACEDO Rafael (BRA)
61	MACEDO Rafael (BRA)	62	MACEDO Rafael (BRA)
63	MACEDO Rafael (BRA)	64	MACEDO Rafael (BRA)
65	MACEDO Rafael (BRA)	66	MACEDO Rafael (BRA)
67	MACEDO Rafael (BRA)	68	MACEDO Rafael (BRA)
69	MACEDO Rafael (BRA)	70	MACEDO Rafael (BRA)
71	MACEDO Rafael (BRA)	72	MACEDO Rafael (BRA)
73	MACEDO Rafael (BRA)	74	MACEDO Rafael (BRA)
75	MACEDO Rafael (BRA)	76	MACEDO Rafael (BRA)
77	MACEDO Rafael (BRA)	78	MACEDO Rafael (BRA)
79	MACEDO Rafael (BRA)	80	MACEDO Rafael (BRA)
81	MACEDO Rafael (BRA)	82	MACEDO Rafael (BRA)
83	MACEDO Rafael (BRA)	84	MACEDO Rafael (BRA)
85	MACEDO Rafael (BRA)	86	MACEDO Rafael (BRA)
87	MACEDO Rafael (BRA)	88	MACEDO Rafael (BRA)
89	MACEDO Rafael (BRA)	90	MACEDO Rafael (BRA)

### POOL C

17	MEHDIYEV Mammadali (AZE)	18	PARLATI Christian (ITA)
19	PARLATI Christian (ITA)	20	KNAUF Alexander (USA)
21	BRASNJOVIC Darko (SRB)	22	TSELIDIS Theodoros (GRE)
23	TSELIDIS Theodoros (GRE)	24	BORCHASHVILI Wachid (AUT)
25	BORCHASHVILI Wachid (AUT)	26	TRIPPEL Eduard (GER)
27	TRIPPEL Eduard (GER)	28	TRIPPEL Eduard (GER)
29	TRIPPEL Eduard (GER)	30	TRIPPEL Eduard (GER)
31	TRIPPEL Eduard (GER)	32	TRIPPEL Eduard (GER)
33	TRIPPEL Eduard (GER)	34	TRIPPEL Eduard (GER)
35	TRIPPEL Eduard (GER)	36	TRIPPEL Eduard (GER)
37	TRIPPEL Eduard (GER)	38	TRIPPEL Eduard (GER)
39	TRIPPEL Eduard (GER)	40	TRIPPEL Eduard (GER)
41	TRIPPEL Eduard (GER)	42	TRIPPEL Eduard (GER)
43	TRIPPEL Eduard (GER)	44	TRIPPEL Eduard (GER)
45	TRIPPEL Eduard (GER)	46	TRIPPEL Eduard (GER)
47	TRIPPEL Eduard (GER)	48	TRIPPEL Eduard (GER)
49	TRIPPEL Eduard (GER)	50	TRIPPEL Eduard (GER)
51	TRIPPEL Eduard (GER)	52	TRIPPEL Eduard (GER)
53	TRIPPEL Eduard (GER)	54	TRIPPEL Eduard (GER)
55	TRIPPEL Eduard (GER)	56	TRIPPEL Eduard (GER)
57	TRIPPEL Eduard (GER)	58	TRIPPEL Eduard (GER)
59	TRIPPEL Eduard (GER)	60	TRIPPEL Eduard (GER)
61	TRIPPEL Eduard (GER)	62	TRIPPEL Eduard (GER)
63	TRIPPEL Eduard (GER)	64	TRIPPEL Eduard (GER)
65	TRIPPEL Eduard (GER)	66	TRIPPEL Eduard (GER)
67	TRIPPEL Eduard (GER)	68	TRIPPEL Eduard (GER)
69	TRIPPEL Eduard (GER)	70	TRIPPEL Eduard (GER)
71	TRIPPEL Eduard (GER)	72	TRIPPEL Eduard (GER)
73	TRIPPEL Eduard (GER)	74	TRIPPEL Eduard (GER)
75	TRIPPEL Eduard (GER)	76	TRIPPEL Eduard (GER)
77	TRIPPEL Eduard (GER)	78	TRIPPEL Eduard (GER)
79	TRIPPEL Eduard (GER)	80	TRIPPEL Eduard (GER)
81	TRIPPEL Eduard (GER)	82	TRIPPEL Eduard (GER)
83	TRIPPEL Eduard (GER)	84	TRIPPEL Eduard (GER)
85	TRIPPEL Eduard (GER)	86	TRIPPEL Eduard (GER)
87	TRIPPEL Eduard (GER)	88	TRIPPEL Eduard (GER)
89	TRIPPEL Eduard (GER)	90	TRIPPEL Eduard (GER)

### POOL D

25	TOTH Krisztian (HUN)	26	MOSAKHLISHVILI T. (ESP)
27	CRET Alex (ROU)	28	MOSAKHLISHVILI T. (ESP)
29	MOSAKHLISHVILI Tristani (ESP)	30	MADZHIDOV Dzhakhongir (TJK)
31	MADZHIDOV Dzhakhongir (TJK)	32	GUNCHENKO Stanislav (UKR)
33	GUNCHENKO Stanislav (UKR)	34	RANDL Milan (SVK)
35	RANDL Milan (SVK)	36	MAISURADZE Luka (GEO)
37	MAISURADZE Luka (GEO)	38	MAISURADZE Luka (GEO)
39	MAISURADZE Luka (GEO)	40	MAISURADZE Luka (GEO)
41	MAISURADZE Luka (GEO)	42	MAISURADZE Luka (GEO)
43	MAISURADZE Luka (GEO)	44	MAISURADZE Luka (GEO)
45	MAISURADZE Luka (GEO)	46	MAISURADZE Luka (GEO)
47	MAISURADZE Luka (GEO)	48	MAISURADZE Luka (GEO)
49	MAISURADZE Luka (GEO)	50	MAISURADZE Luka (GEO)
51	MAISURADZE Luka (GEO)	52	MAISURADZE Luka (GEO)
53	MAISURADZE Luka (GEO)	54	MAISURADZE Luka (GEO)
55	MAISURADZE Luka (GEO)	56	MAISURADZE Luka (GEO)
57	MAISURADZE Luka (GEO)	58	MAISURADZE Luka (GEO)
59	MAISURADZE Luka (GEO)	60	MAISURADZE Luka (GEO)
61	MAISURADZE Luka (GEO)	62	MAISURADZE Luka (GEO)
63	MAISURADZE Luka (GEO)	64	MAISURADZE Luka (GEO)
65	MAISURADZE Luka (GEO)	66	MAISURADZE Luka (GEO)
67	MAISURADZE Luka (GEO)	68	MAISURADZE Luka (GEO)
69	MAISURADZE Luka (GEO)	70	MAISURADZE Luka (GEO)
71	MAISURADZE Luka (GEO)	72	MAISURADZE Luka (GEO)
73	MAISURADZE Luka (GEO)	74	MAISURADZE Luka (GEO)
75	MAISURADZE Luka (GEO)	76	MAISURADZE Luka (GEO)
77	MAISURADZE Luka (GEO)	78	MAISURADZE Luka (GEO)
79	MAISURADZE Luka (GEO)	80	MAISURADZE Luka (GEO)
81	MAISURADZE Luka (GEO)	82	MAISURADZE Luka (GEO)
83	MAISURADZE Luka (GEO)	84	MAISURADZE Luka (GEO)
85	MAISURADZE Luka (GEO)	86	MAISURADZE Luka (GEO)
87	MAISURADZE Luka (GEO)	88	MAISURADZE Luka (GEO)
89	MAISURADZE Luka (GEO)	90	MAISURADZE Luka (GEO)

### REPECHAGE

61	IVANOV I. (BUL)	62	SILVA MORALES I. (CUB)
63	SILVA MORALES I. (CUB)	64	MAISURADZE L. (GEO)
65	MAISURADZE L. (GEO)	66	MOSAKHLISHVILI T. (ESP)
67	MOSAKHLISHVILI T. (ESP)	68	BEKAURI L. (GEO)
69	BEKAURI L. (GEO)	70	BEKAURI L. (GEO)

### FINAL RESULTS

- BOBONOV Davlat (UZB)
- PARLATI Christian (ITA)
- MAISURADZE Luka (GEO)
- BEKAURI Lasha (GEO)
- SILVA MORALES Ivan Felipe (CUB)
- MOSAKHLISHVILI Tristani (ESP)
- GOMES Marcelo (BRA)
- IVANOV Ivaylo (BUL)





# Tashkent World Championships Senior 2022

## Uzbekistan, Tashkent, 6-12 Oct 2022

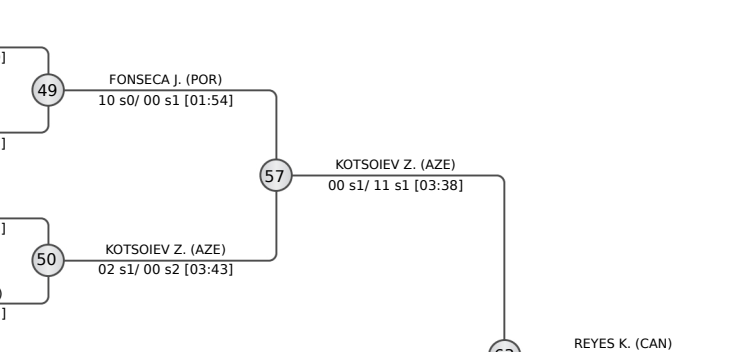
# -100 kg

Seniors (41)

### POOL A

	FONSECA Jorge	POR	1
	GONZALEZ Asley	ROU	2
	CATHARINA Simeon	NED	3
	IIDA Kentaro	JPN	4
	DOSEN Bojan	SRB	5
	KOTSOIEV Zelym	AZE	6
	EICH Daniel	SUI	7
	BOUAMAR Mustapha Yasser	ALG	8
	SHARKHAN Nuriykhon	KAZ	9
	WON Jonghoon	KOR	10

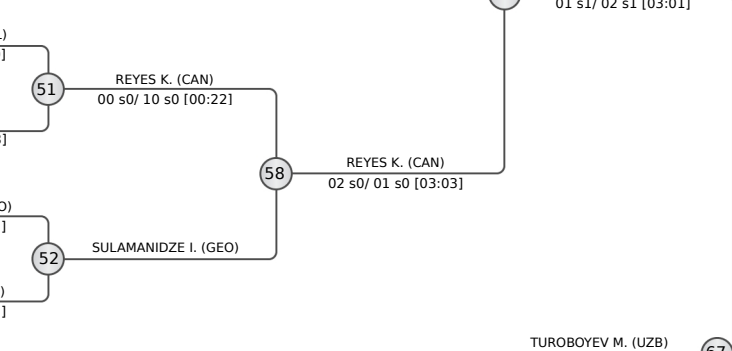
1	FONSECA J. (POR)	33	FONSECA J. (POR)
2	GONZALEZ A. (ROU)	34	DOSEN B. (SRB)
3	IIDA K. (JPN)	35	KOTSOIEV Z. (AZE)
4	DOSEN B. (SRB)	36	SHARKHAN N. (KAZ)
5	KOTSOIEV Z. (AZE)	37	BATKHUYAG G. (MGL)
6	EICH D. (SUI)	38	REYES K. (CAN)
7	BOUAMAR M. (ALG)	39	SULAMANIDZE I. (GEO)
8	SHARKHAN N. (KAZ)	40	SISMANLAR M. (TUR)
9	SHARKHAN N. (KAZ)	41	ELNAHAS S. (CAN)
10	10 s1/ 00 s3 [03:53]	42	SHERAZADISHVILI N. (ESP)



### POOL B

	PALTCHIK Peter	ISR	9
	BATKHUYAG Gonchigsuren	MGL	10
	MATASEJE Benjamin	SVK	11
	CIRJENICS Miklos	HUN	12
	REYES Kyle	CAN	13
	SULAMANIDZE Ilia	GEO	14
	HERBST Daniel	GER	15
	KUMRIC Marko	CRO	16
	SISMANLAR Mert	TUR	17
	KHANKAN Adnan	IRT	18
	LIVEZE Kenny	FRA	19

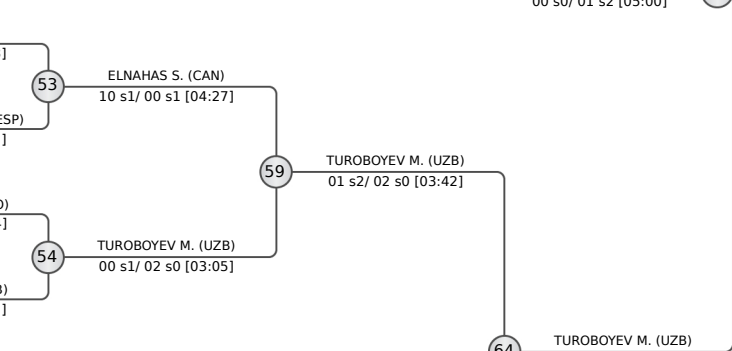
9	PALTCHIK P. (ISR)	37	BATKHUYAG G. (MGL)
10	BATKHUYAG G. (MGL)	38	REYES K. (CAN)
11	MATASEJE B. (SVK)	39	SULAMANIDZE I. (GEO)
12	REYES K. (CAN)	40	SISMANLAR M. (TUR)
13	SULAMANIDZE I. (GEO)	41	ELNAHAS S. (CAN)
14	HERBST D. (GER)	42	SHERAZADISHVILI N. (ESP)
15	KUMRIC M. (CRO)	43	LIPARTELIANI V. (GEO)
16	SISMANLAR M. (TUR)	44	TUROBOYEV M. (UZB)
17	ELNAHAS S. (CAN)	45	KORREL M. (NED)
18	KHANKAN A. (IRT)	46	BUZACARINI R. (BRA)
19	LIVEZE K. (FRA)	47	NIKIFOROV T. (BEL)



### POOL C

	ELNAHAS Shady	CAN	17
	KOBENA Koffi Kreme	CIV	18
	KUKOLJ Aleksandar	SRB	19
	ABUBAKRI Akobir	TJK	20
	SHERAZADISHVILI Nikoloz	ESP	21
	LIPARTELIANI Varlam	GEO	22
	MINASKIN Grigori	EST	23
	KUMRIC Zlatko	CRO	24
	TUROBOYEV Muzaffarbek	UZB	25
	SMITH III L.A.	USA	26

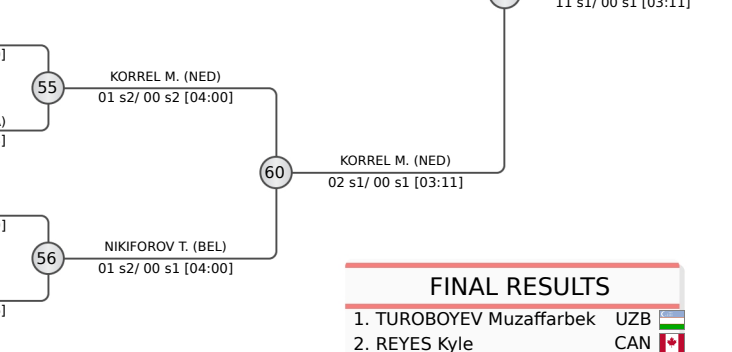
17	ELNAHAS S. (CAN)	41	ELNAHAS S. (CAN)
18	KOBENA K. (CIV)	42	SHERAZADISHVILI N. (ESP)
19	KUKOLJ A. (SRB)	43	LIPARTELIANI V. (GEO)
20	ABUBAKRI A. (TJK)	44	TUROBOYEV M. (UZB)
21	SHERAZADISHVILI N. (ESP)	45	KORREL M. (NED)
22	LIPARTELIANI V. (GEO)	46	BUZACARINI R. (BRA)
23	MINASKIN G. (EST)	47	NIKIFOROV T. (BEL)
24	KUMRIC Z. (CRO)	48	VEG Z. (HUN)
25	TUROBOYEV M. (UZB)	49	FONSECA J. (POR)
26	SMITH III L. (USA)	50	KOTSOIEV Z. (AZE)



### POOL D

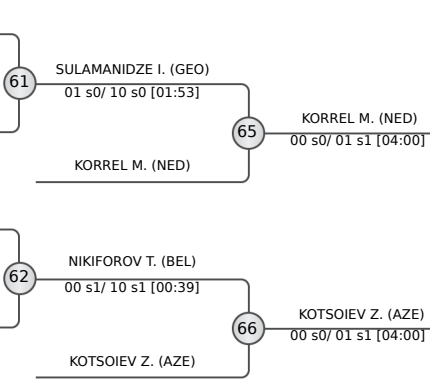
	KORREL Michael	NED	25
	FARA Aaron	AUT	26
	MADSEN Mathias	DEN	27
	BOZBAYEV Islam	KAZ	28
	BUZACARINI Rafael	BRA	29
	NIKIFOROV Toma	BEL	30
	GEORGIEV Boris	BUL	31
	KOSTOEV Dzhafar	UAE	32
	VEG Zsombor	HUN	33
	BEN GHARES Koussay	TUN	34

25	KORREL M. (NED)	45	KORREL M. (NED)
26	FARA A. (AUT)	46	BUZACARINI R. (BRA)
27	MADSEN M. (DEN)	47	NIKIFOROV T. (BEL)
28	BOZBAYEV I. (KAZ)	48	VEG Z. (HUN)
29	BUZACARINI R. (BRA)	49	FONSECA J. (POR)
30	NIKIFOROV T. (BEL)	50	KOTSOIEV Z. (AZE)
31	GEORGIEV B. (BUL)	51	REYES K. (CAN)
32	KOSTOEV D. (UAE)	52	SULAMANIDZE I. (GEO)
33	VEG Z. (HUN)	53	ELNAHAS S. (CAN)
34	BEN GHARES K. (TUN)	54	TUROBOYEV M. (UZB)



### REPECHAGE

FONSECA J. (POR)	61	SULAMANIDZE I. (GEO)
SULAMANIDZE I. (GEO)	62	NIKIFOROV T. (BEL)
ELNAHAS S. (CAN)	63	KOTSOIEV Z. (AZE)
NIKIFOROV T. (BEL)	64	TUROBOYEV M. (UZB)



### FINAL RESULTS

1. TUROBOYEV Muzaffarbek UZB
2. REYES Kyle CAN
3. KORREL Michael NED
3. KOTSOIEV Zelym AZE
5. SULAMANIDZE Ilia GEO
7. NIKIFOROV Toma BEL
7. ELNAHAS Shady CAN
7. FONSECA Jorge POR

