



Tashkent World Championships Senior 2022

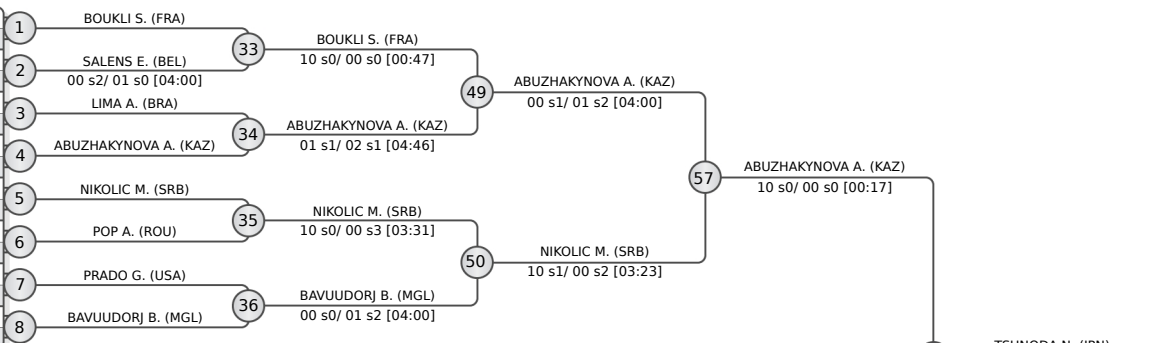
Uzbekistan, Tashkent, 6-12 Oct 2022

-48 kg

Seniors (38)

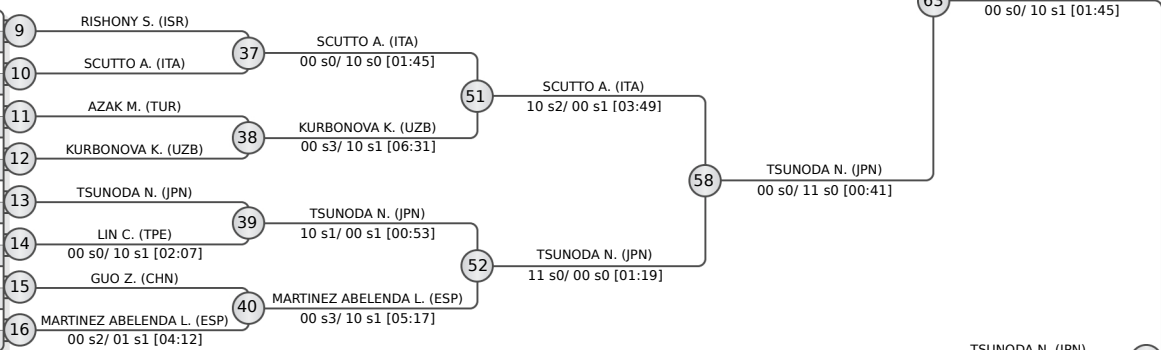
POOL A

| | | |
|---|----------------------|-----|
| 1 | BOUKLI Shirine | FRA |
| 2 | SORIANO Estefania | DOM |
| 3 | SALENS Ellen | BEL |
| 4 | LIMA Amanda | BRA |
| 5 | ABUZHAKYNOVA Abiba | KAZ |
| 6 | NIKOLIC Milica | SRB |
| 7 | POP Alexandra | ROU |
| 8 | PRADO Giovanna | USA |
| 9 | BAVUUDORJ Baasankhuu | MGL |



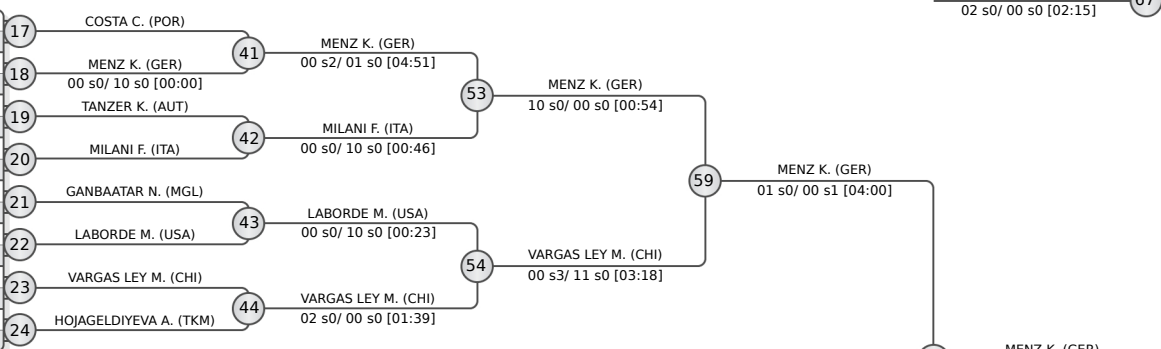
POOL B

| | | |
|----|--------------------------|-----|
| 9 | RISHONY Shira | ISR |
| 10 | SCUTTO Assunta | ITA |
| 11 | AZAK Merve | TUR |
| 12 | KURBONOVA Khalimajon | UZB |
| 13 | TSUNODA Natsumi | JPN |
| 14 | MORAND Priscilla | MRI |
| 15 | LIN Chen-Hao | TPE |
| 16 | GUO Zongying | CHN |
| 17 | BEDIOUI Oumaima | TUN |
| 18 | MARTINEZ ABELEND A Laura | ESP |



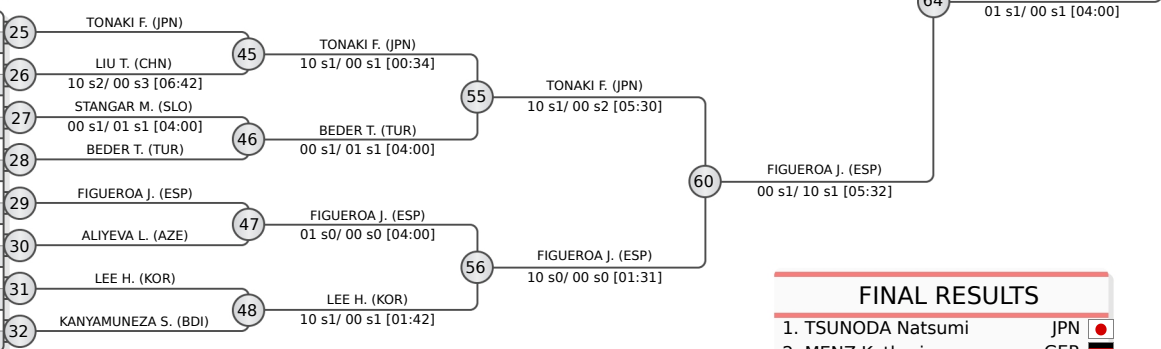
POOL C

| | | |
|----|------------------------|-----|
| 17 | COSTA Catarina | POR |
| 18 | MUNEME Jennie | MOZ |
| 19 | MENZ Katharina | GER |
| 20 | TANZER Katharina | AUT |
| 21 | MILANI Francesca | ITA |
| 22 | GANBAATAR Narantsetseg | MGL |
| 23 | LABORDE Maria Celia | USA |
| 24 | VARGAS LEY Mary Dee | CHI |
| 25 | HOJAGELDIYEVA Aksoltan | TKM |



POOL D

| | | |
|----|-----------------------|-----|
| 25 | TONAKI Funa | JPN |
| 26 | LIU Ting | CHN |
| 27 | STOJADINOV Andrea | SRB |
| 28 | MALCA Tamar | ISR |
| 29 | STANGAR Marusa | SLO |
| 30 | BEDER Tugce | TUR |
| 31 | FIGUEROA Julia | ESP |
| 32 | ALIYEVA Leyla | AZE |
| 33 | LEE Hyekyeong | KOR |
| 34 | KANYAMUNEZA Signoline | BDI |



REPECHAGE

| | | |
|----|-----------------------|----------------------|
| 61 | SCUTTO A. (ITA) | 00 s0/ 10 s0 [00:00] |
| 62 | VARGAS LEY M. (CHI) | 10 s0/ 00 s0 [00:00] |
| 63 | TSUNODA N. (JPN) | 00 s0/ 10 s1 [01:45] |
| 64 | MENZ K. (GER) | 01 s1/ 00 s1 [04:00] |
| 65 | SCUTTO A. (ITA) | 11 s2/ 00 s0 [03:12] |
| 66 | ABUZHAKYNOVA A. (KAZ) | 11 s2/ 00 s0 [03:12] |

FINAL RESULTS

1. TSUNODA Natsumi (JPN)
2. MENZ Katharina (GER)
3. SCUTTO Assunta (ITA)
3. ABUZHAKYNOVA Abiba (KAZ)
5. FIGUEROA Julia (ESP)
7. TONAKI Funa (JPN)
7. NIKOLIC Milica (SRB)





Tashkent World Championships Senior 2022

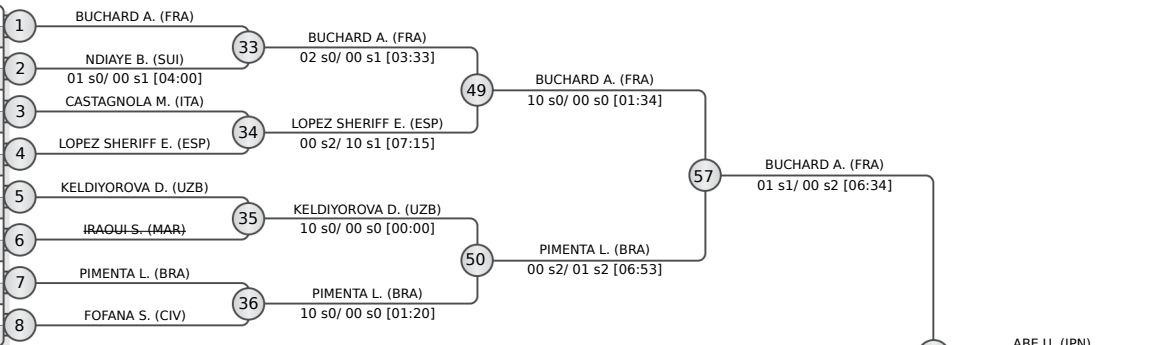
Uzbekistan, Tashkent, 6-12 Oct 2022

-52 kg

Seniors (34)

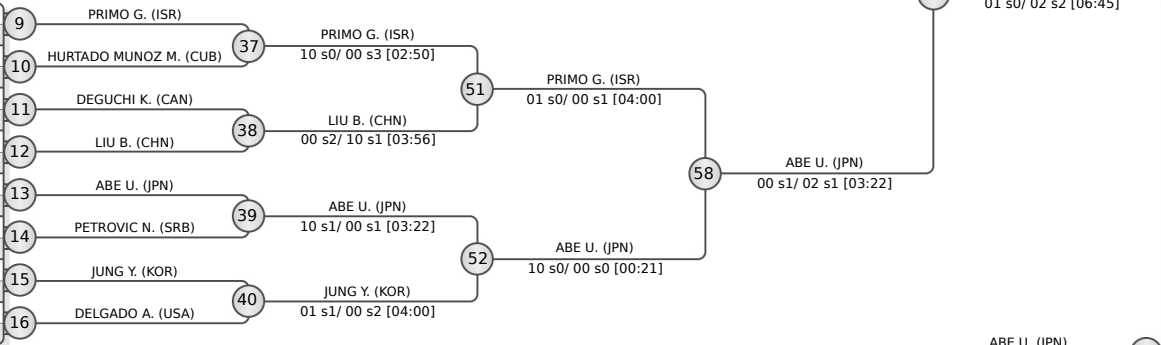
POOL A

| | | |
|---|------------------------|-----|
| 1 | BUCHARD Amandine | FRA |
| 2 | NDIAYE Binta | SUI |
| 3 | MAMMADALIYEVA Gultaj | AZE |
| 4 | CASTAGNOLA Martina | ITA |
| 5 | LOPEZ SHERIFF Estrella | ESP |
| 6 | KELDIYOROVA Diyora | UZB |
| 7 | IRAOUI Soumiya | MAR |
| 8 | PIMENTA Larissa | BRA |
| 9 | FOFANA Salimata | CIV |



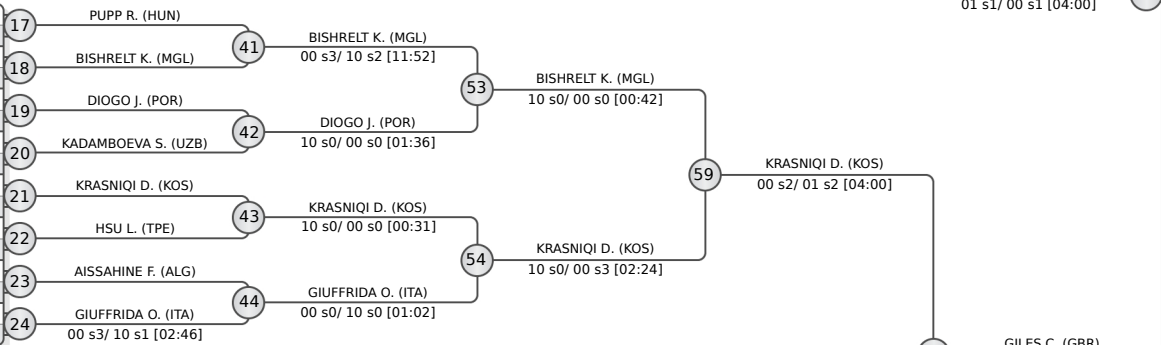
POOL B

| | | |
|----|-----------------------|-----|
| 9 | PRIMO Gefen | ISR |
| 10 | HURTADO MUNOZ Melissa | CUB |
| 11 | DEGUCHI Kelly | CAN |
| 12 | LIU Ben | CHN |
| 13 | ABE Uta | JPN |
| 14 | PETROVIC Nadezda | SRB |
| 15 | JUNG Yerin | KOR |
| 16 | DELGADO Angelica | USA |



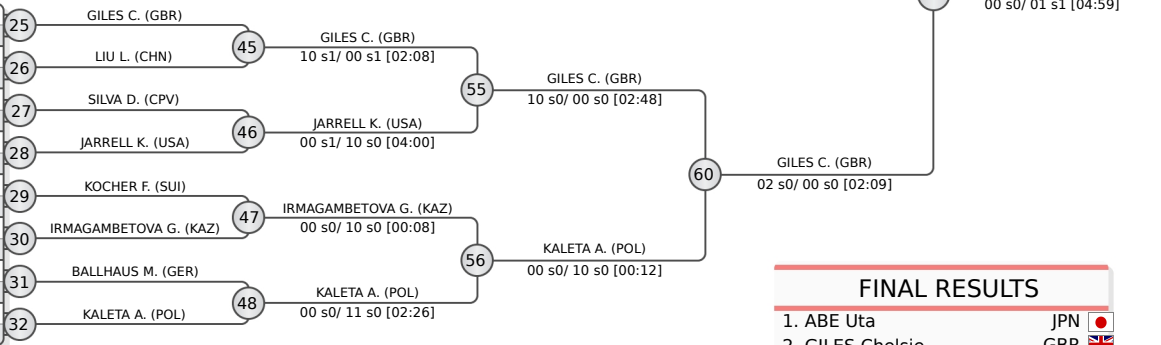
POOL C

| | | |
|----|---------------------|-----|
| 17 | PUPP Reka | HUN |
| 18 | BISHRELT Khorloodoi | MGL |
| 19 | DIOGO Joana | POR |
| 20 | KADAMBOEVA Sita | UZB |
| 21 | KRASNIQI Distria | KOS |
| 22 | HSU Lin Hsuan | TPE |
| 23 | AISSAHINE Faiza | ALG |
| 24 | NGUYEN Thuy | VIE |
| 25 | GIUFFRIDA Odette | ITA |



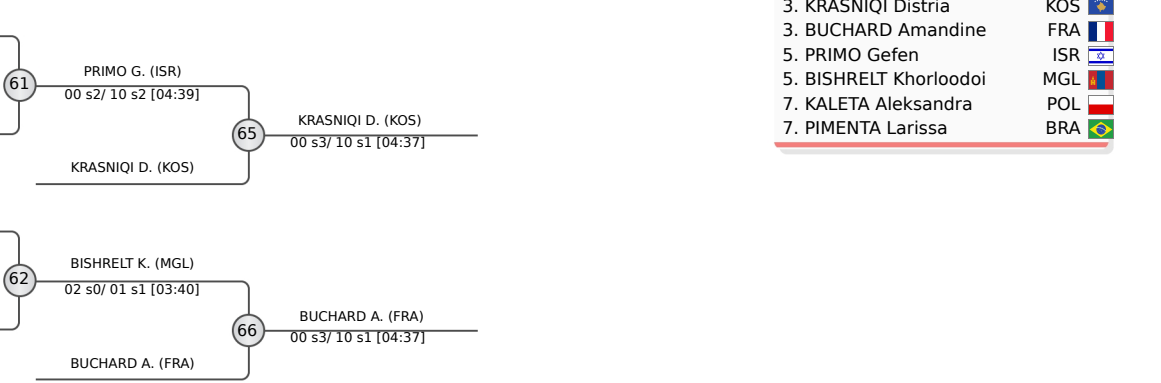
POOL D

| | | |
|----|-----------------------|-----|
| 25 | GILES Chelsie | GBR |
| 26 | LIU Liping | CHN |
| 27 | SILVA Djamila | CPV |
| 28 | JARRELL Katelyn | USA |
| 29 | KOCHER Fabienne | SUI |
| 30 | IRMAGAMBETOVA Gaukhar | KAZ |
| 31 | BALLHAUS Mascha | GER |
| 32 | KALETA Aleksandra | POL |



REPECHAGE

| | |
|----|-------------------|
| 61 | PIMENTA L. (BRA) |
| 62 | BISHRELT K. (MGL) |
| 63 | ABE U. (JPN) |
| 64 | GILES C. (GBR) |
| 65 | KRASNIQI D. (KOS) |
| 66 | BUCHARD A. (FRA) |



FINAL RESULTS

1. ABE Uta
2. GILES Chelsie
3. KRASNIQI Distria
3. BUCHARD Amandine
5. PRIMO Gefen
6. KALETA Aleksandra
7. PIMENTA Larissa





Tashkent World Championships Senior 2022

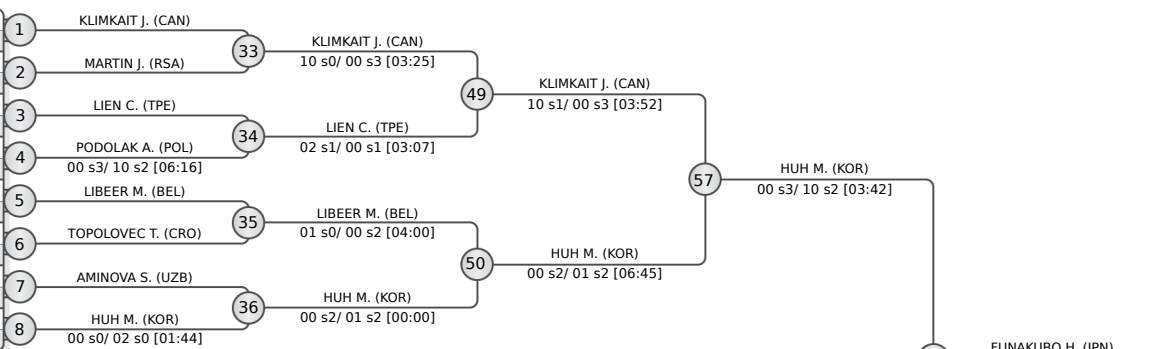
Uzbekistan, Tashkent, 6-12 Oct 2022

-57 kg

Seniors (42)

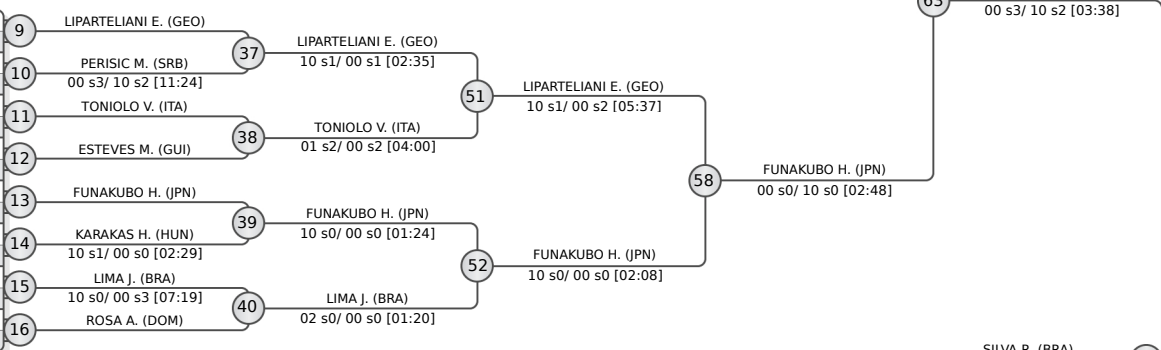
POOL A

| | | | |
|--|--------------------|-----|----|
| | KLIMKAIT Jessica | CAN | 1 |
| | MARTIN Jasmine | RSA | 2 |
| | LIEN Chen-Ling | TPE | 3 |
| | LOXHA Flaka | KOS | 4 |
| | PODOLAK Arleta | POL | 5 |
| | LIBEER Mina | BEL | 6 |
| | TOPOLOVEC Tihea | CRO | 7 |
| | AMINOVA Shukurjon | UZB | 8 |
| | KOCHKONBAEVA Adina | KGZ | 9 |
| | HUH Mimi | KOR | 10 |



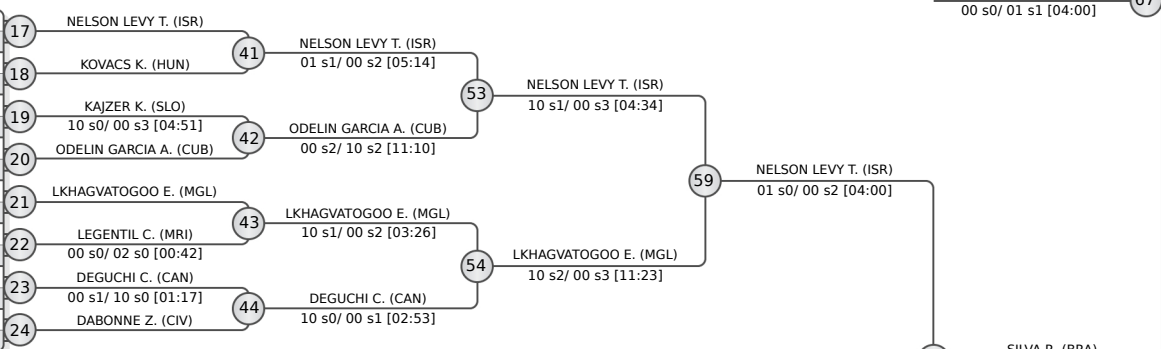
POOL B

| | | | |
|--|--------------------------|-----|----|
| | LIPARTELIANI Eteri | GEO | 9 |
| | CAI Qi | CHN | 10 |
| | PERISIC Marica | SRB | 11 |
| | TONIOLO Veronica | ITA | 12 |
| | ESTEVEZ Mariana | GUI | 13 |
| | FUNAKUBO Haruka | JPN | 14 |
| | KARAKAS Hedvig | HUN | 15 |
| | YILDIZ Ozlem | TUR | 16 |
| | LIMA Jessica | BRA | 17 |
| | MUNKHTSEDEV Ichinkhorloo | MGL | 18 |
| | ROSA Ana | DOM | 19 |



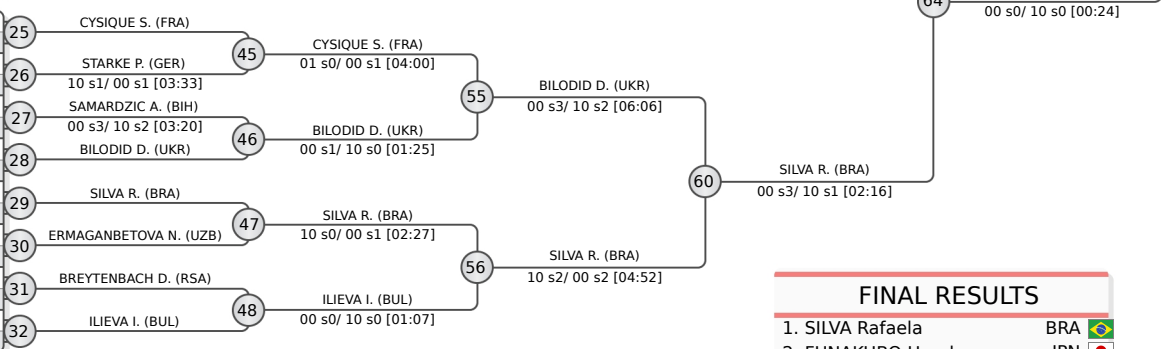
POOL C

| | | | |
|--|--------------------------|-----|----|
| | NELSON LEVY Timna | ISR | 17 |
| | KOVACS Kitti | HUN | 18 |
| | KAJZER Kaja | SLO | 19 |
| | KOWALCZYK Julia | POL | 20 |
| | ODELIN GARCIA Arnaes | CUB | 21 |
| | LKHAGVATOGOO Enkhriilen | MGL | 22 |
| | DAHOUK Muna | IRT | 23 |
| | LEGENTIL Christianne | MRI | 24 |
| | HOLGUIN Mariah | USA | 25 |
| | DEGUCHI Christa | CAN | 26 |
| | DABONNE Zouleiha Abzetta | CIV | 27 |



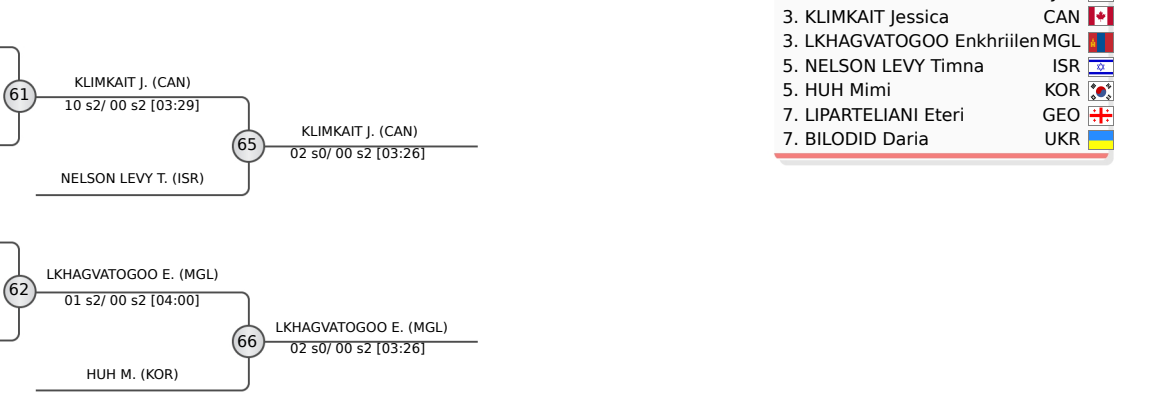
POOL D

| | | | |
|--|-----------------------|-----|----|
| | CYSIQUE Sarah Leonie | FRA | 25 |
| | STARKE Pauline | GER | 26 |
| | TOPRAK Acelya | GBR | 27 |
| | NISHANBAYEVA Sevara | KAZ | 28 |
| | SAMARDZIC Andjela | BIH | 29 |
| | BILODID Daria | UKR | 30 |
| | SILVA Rafaela | BRA | 31 |
| | ERMAGANBETOVA Nilufar | UZB | 32 |
| | BREYTENBACH Donne | RSA | 33 |
| | ILIEVA Ivelina | BUL | 34 |



REPECHAGE

| | |
|-----------------------|----|
| KLIMKAIT J. (CAN) | 61 |
| LIPARTELIANI E. (GEO) | 62 |
| LKHAGVATOGOO E. (MGL) | 63 |
| BILODID D. (UKR) | 64 |



FINAL RESULTS

- SILVA Rafaela BRA
- FUNAKUBO Haruka JPN
- KLIMKAIT Jessica CAN
- LKHAGVATOGOO Enkhriilen MGL
- HUH Mimi KOR
- LIPARTELIANI Eteri GEO
- BILODID Daria UKR





Tashkent World Championships Senior 2022

Uzbekistan, Tashkent, 6-12 Oct 2022

-63 kg

Seniors (41)

POOL A

| | | |
|----|-----------------------|-----|
| 1 | RENSHALL Lucy | GBR |
| 2 | CABANA PEREZ Cristina | ESP |
| 3 | BELKADI Amina | ALG |
| 4 | BOLD Gankhaich | MGL |
| 5 | PRIMO Kerem | ISR |
| 6 | KUYULOVA Esmigul | KAZ |
| 7 | HAECKER Katharina | AUS |
| 8 | ANTIPINA Anastasiia | UKR |
| 9 | HORIKAWA Megumi | JPN |
| 10 | D ISANTO Nicolle | ITA |

| | | | |
|---|-------------------|----------------------|----------------------|
| 1 | RENSHALL L. (GBR) | 33 | RENSHALL L. (GBR) |
| 2 | BELKADI A. (ALG) | 00 s1/ 01 s2 [04:00] | 10 s0/ 00 s3 [04:52] |
| 3 | PRIMO K. (ISR) | 00 s3/ 10 s1 [05:15] | 10 s0/ 00 s3 [02:40] |
| 4 | KUYULOVA E. (KAZ) | 10 s0/ 00 s3 [02:40] | |
| 5 | HAECKER K. (AUS) | | |
| 6 | ANTIPINA A. (UKR) | 35 | HAECKER K. (AUS) |
| 7 | HORIKAWA M. (JPN) | | |
| 8 | D ISANTO N. (ITA) | 36 | HORIKAWA M. (JPN) |
| | | | 10 s0/ 00 s1 [01:25] |

| | | |
|----|-------------------|----------------------|
| 49 | RENSHALL L. (GBR) | 10 s1/ 00 s3 [04:53] |
| 34 | PRIMO K. (ISR) | 10 s0/ 00 s3 [02:40] |
| 57 | HORIKAWA M. (JPN) | 00 s2/ 01 s1 [04:00] |
| 50 | HORIKAWA M. (JPN) | 00 s3/ 10 s2 [03:50] |
| 63 | HORIKAWA M. (JPN) | 02 s0/ 00 s1 [01:56] |

POOL B

| | | |
|----|--------------------------|-----|
| 9 | LESKI Andreja | SLO |
| 10 | TIMO Barbara | POR |
| 11 | OBRAĐOVIC Anja | SRB |
| 12 | VAN DEN BERG Geke | NED |
| 13 | FAYE Anna Siga | SEN |
| 14 | OZBAS Szofi | HUN |
| 15 | LEE Juyeon | KOR |
| 16 | SZYMANSKA Angelika | POL |
| 17 | DELGADO FRANCES Carolina | CPV |
| 18 | GOLDEN Sara | USA |

| | | | |
|----|-----------------------|----------------------|-----------------------|
| 9 | LESKI A. (SLO) | 37 | TIMO B. (POR) |
| 10 | TIMO B. (POR) | 00 s1/ 01 s0 [04:23] | |
| 11 | VAN DEN BERG G. (NED) | 11 s1/ 00 s2 [03:50] | |
| 12 | FAYE A. (SEN) | 38 | VAN DEN BERG G. (NED) |
| 13 | OZBAS S. (HUN) | | 11 s0/ 00 s0 [00:37] |
| 14 | LEE J. (KOR) | 39 | OZBAS S. (HUN) |
| 15 | SZYMANSKA A. (POL) | | 10 s1/ 00 s1 [02:55] |
| 16 | GOLDEN S. (USA) | 40 | SZYMANSKA A. (POL) |
| | | | 10 s0/ 00 s0 [00:11] |

| | | |
|----|--------------------|----------------------|
| 51 | TIMO B. (POR) | 01 s1/ 00 s1 [04:00] |
| 58 | TIMO B. (POR) | 10 s0/ 00 s3 [05:23] |
| 52 | SZYMANSKA A. (POL) | 00 s1/ 10 s0 [03:09] |
| 67 | HORIKAWA M. (JPN) | 10 s1/ 00 s1 [03:59] |

POOL C

| | | |
|----|------------------------------|-----|
| 17 | BEAUCHEMIN-PINARD Catherine | CAN |
| 18 | ETOUA BLOCK Audrey Jeannette | CMR |
| 19 | FAZLIU Laura | KOS |
| 20 | KIM Jijeong | KOR |
| 21 | OBERAN Iva | CRO |
| 22 | SHARIR Gili | ISR |
| 23 | PADILLA GUERRERO Sarai | ESP |
| 24 | DEL TORO CARVAJAL Maylin | CUB |
| 25 | BAZYNSKI Nadja | GER |
| 26 | ZACHOVA Renata | CZE |
| 27 | DASHKINOVA Zulhumar | TKM |

| | | | |
|----|----------------------------|----------------------|----------------------------|
| 17 | BEAUCHEMIN-PINARD C. (CAN) | 41 | BEAUCHEMIN-PINARD C. (CAN) |
| 18 | ETOUA BLOCK A. (CMR) | 10 s2/ 00 s0 [02:29] | 10 s0/ 00 s0 [00:54] |
| 19 | KIM J. (KOR) | | |
| 20 | OBERAN I. (CRO) | 42 | OBERAN I. (CRO) |
| 21 | SHARIR G. (ISR) | | 00 s1/ 02 s1 [02:14] |
| 22 | PADILLA GUERRERO S. (ESP) | 43 | SHARIR G. (ISR) |
| 23 | DEL TORO CARVAJAL M. (CUB) | 10 s2/ 00 s3 [05:36] | 10 s2/ 00 s3 [05:52] |
| 24 | BAZYNSKI N. (GER) | | |
| 25 | ZACHOVA R. (CZE) | 44 | ZACHOVA R. (CZE) |
| 26 | DASHKINOVA Z. (TKM) | | 02 s0/ 00 s0 [00:35] |

| | | |
|----|----------------------------|----------------------|
| 53 | BEAUCHEMIN-PINARD C. (CAN) | 10 s0/ 00 s0 [01:08] |
| 59 | BEAUCHEMIN-PINARD C. (CAN) | 10 s0/ 00 s0 [00:48] |
| 54 | ZACHOVA R. (CZE) | 00 s0/ 01 s0 [04:00] |
| 64 | BEAUCHEMIN-PINARD C. (CAN) | 10 s1/ 00 s0 [02:23] |

POOL D

| | | |
|----|---------------------|-----|
| 25 | QUADROS Ketleyn | BRA |
| 26 | TANG Jing | CHN |
| 27 | SANCHEZ Ariela | DOM |
| 28 | MARTIN Hannah | USA |
| 29 | IVANESCU Florentina | ROU |
| 30 | VERMEER Sanne | NED |
| 31 | NARYNOVA Moldir | KAZ |
| 32 | ISOKOVA Sevinch | UZB |
| 33 | ISAEVA Azhar | KGZ |
| 34 | DEKETER Manon | FRA |

| | | | |
|----|-------------------|----------------------|----------------------|
| 25 | QUADROS K. (BRA) | 45 | QUADROS K. (BRA) |
| 26 | TANG J. (CHN) | 10 s2/ 00 s0 [03:00] | 10 s2/ 00 s2 [02:34] |
| 27 | MARTIN H. (USA) | | |
| 28 | IVANESCU F. (ROU) | 46 | IVANESCU F. (ROU) |
| 29 | VERMEER S. (NED) | | 00 s3/ 10 s2 [05:23] |
| 30 | NARYNOVA M. (KAZ) | 47 | VERMEER S. (NED) |
| 31 | ISOKOVA S. (UZB) | | 10 s0/ 00 s1 [01:23] |
| 32 | ISAEVA A. (KGZ) | 48 | DEKETER M. (FRA) |
| 33 | DEKETER M. (FRA) | | 00 s1/ 10 s0 [01:13] |

| | | |
|----|-------------------|----------------------|
| 55 | IVANESCU F. (ROU) | 00 s1/ 10 s0 [02:06] |
| 60 | DEKETER M. (FRA) | 00 s0/ 11 s0 [02:40] |
| 56 | DEKETER M. (FRA) | 00 s1/ 10 s0 [03:30] |

REPECHAGE

| | | |
|----|--------------------|----------------------|
| 61 | SZYMANSKA A. (POL) | 00 s0/ 02 s0 [02:45] |
| 65 | DEKETER M. (FRA) | 00 s0/ 01 s1 [04:00] |
| 62 | IVANESCU F. (ROU) | 00 s2/ 01 s0 [04:00] |
| 66 | TIMO B. (POR) | 00 s0/ 01 s1 [04:00] |

FINAL RESULTS

- HORIKAWA Megumi JPN
- BEAUCHEMIN-PINARD Catherine CAN
- DEKETER Manon FRA
- TIMO Barbara POR
- SZYMANSKA Angelika POL
- IVANESCU Florentina ROU
- RENSHALL Lucy GBR
- ZACHOVA Renata CZE





Tashkent World Championships Senior 2022

Uzbekistan, Tashkent, 6-12 Oct 2022

-70 kg

Seniors (44)

POOL A

| | | | |
|---|------------------------------|----|----------------------|
| 1 | MATIC Barbara (CRO) | 33 | MATIC B. (CRO) |
| 2 | BERNHOLM Anna (SWE) | 34 | SAMARDZIC A. (BIH) |
| 3 | JAGER Hilde (NED) | 35 | MATNIYAZOVA G. (UZB) |
| 4 | MOSCALU Serafima (ROU) | 36 | OGEL F. (TUR) |
| 5 | SAMARDZIC Aleksandra (BIH) | 37 | BUTKEREIT M. (GER) |
| 6 | TELSIDOU Elisavet (GRE) | 38 | POGACNIK A. (SLO) |
| 7 | PETERSEN POLLARD Kelly (GBR) | 39 | PORTELA M. (BRA) |
| 8 | MATNIYAZOVA Gulnoza (UZB) | 40 | TANAKA S. (JPN) |
| | WRIGHT Chantal (USA) | 41 | YEATS-BROWN K. (GBR) |
| | BIAMI Zita Ormella (CMR) | 42 | LIAO Y. (TPE) |
| | OGEL Fidan (TUR) | 43 | CVJETKO L. (CRO) |

POOL B

| | | | |
|----|----------------------------|----|-------------------------|
| 9 | BUTKEREIT Miriam (GER) | 44 | ESPOSITO M. (ITA) |
| 10 | LANDOLSI Nihel (TUN) | 45 | GAHIE M. (FRA) |
| 11 | CHANG Ssu-Tzu (TPE) | 46 | NIIZOE S. (JPN) |
| 12 | GERCSAK Szabina (HUN) | 47 | POLLERES M. (AUT) |
| 13 | POGACNIK Anka (SLO) | 48 | DRYSDALE DALEY E. (JAM) |
| 14 | COUGHLAN Aoife (AUS) | 49 | MATIC B. (CRO) |
| 15 | PORTELA Maria (BRA) | 50 | MATNIYAZOVA G. (UZB) |
| 16 | MAYAKOVA Anastassiya (KAZ) | 51 | BUTKEREIT M. (GER) |
| 17 | OLSEN Laerke (DEN) | 52 | TANAKA S. (JPN) |
| 18 | TANAKA Shiho (JPN) | 53 | VAN DIJKE S. (NED) |
| 19 | CHYSTIAKOVA Nataliia (UKR) | 54 | CVJETKO L. (CRO) |
| | | 55 | NIIZOE S. (JPN) |
| | | 56 | POLLERES M. (AUT) |

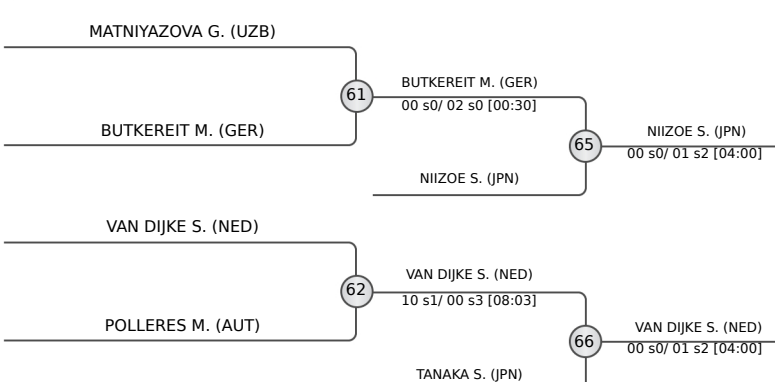
POOL C

| | | | |
|----|--------------------------------|----|--------------------|
| 20 | VAN DIJKE Sanne (NED) | 57 | MATIC B. (CRO) |
| 21 | SHAHEEN Nigara (IRT) | 58 | TANAKA S. (JPN) |
| 22 | YEATS-BROWN Katie-Jemima (GBR) | 59 | CVJETKO L. (CRO) |
| 23 | GOSHEN Maya (ISR) | 60 | NIIZOE S. (JPN) |
| 24 | LIAO Yu-Jung (TPE) | 61 | BUTKEREIT M. (GER) |
| 25 | NAZAROVA Shokhista (UZB) | 62 | VAN DIJKE S. (NED) |
| 26 | PINOT Margaux (FRA) | 63 | MATIC B. (CRO) |
| 27 | CVJETKO Lara (CRO) | 64 | CVJETKO L. (CRO) |
| 28 | PEREZ Maria (PUR) | 65 | NIIZOE S. (JPN) |
| 29 | WILLEMS Gabriella (BEL) | 66 | VAN DIJKE S. (NED) |
| 30 | ESPOSITO Martina (ITA) | 67 | MATIC B. (CRO) |

POOL D

| | | | |
|----|------------------------------|----|--|
| 31 | GAHIE Marie Eve (FRA) | 68 | |
| 32 | CARVALHO Luana (BRA) | 69 | |
| 33 | RODRIGUEZ Elvismar (VEN) | 70 | |
| 34 | NIIZOE Saki (JPN) | 71 | |
| 35 | TSERENDULAM Enkhchimeg (MGL) | 72 | |
| 36 | POLLERES Michaela (AUT) | 73 | |
| 37 | SOBIERAJSKA Katarzyna (POL) | 74 | |
| 38 | TSUNODA ROUSTANT Ai (ESP) | 75 | |
| 39 | ERIKSSON Ida (SWE) | 76 | |
| 40 | MAEKELBURG Sarah (GER) | 77 | |
| 41 | DRYSDALE DALEY Ebony (JAM) | 78 | |

REPECHAGE



FINAL RESULTS

- MATIC Barbara (CRO)
- CVJETKO Lara (CRO)
- NIIZOE Saki (JPN)
- VAN DIJKE Sanne (NED)
- BUTKEREIT Miriam (GER)
- TANAKA Shiho (JPN)
- MATNIYAZOVA Gulnoza (UZB)
- POLLERES Michaela (AUT)





Tashkent World Championships Senior 2022

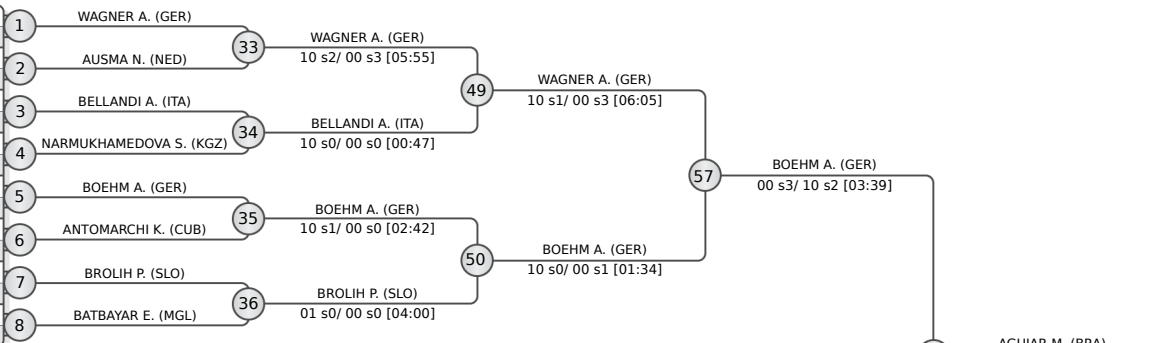
Uzbekistan, Tashkent, 6-12 Oct 2022

-78 kg

Seniors (33)

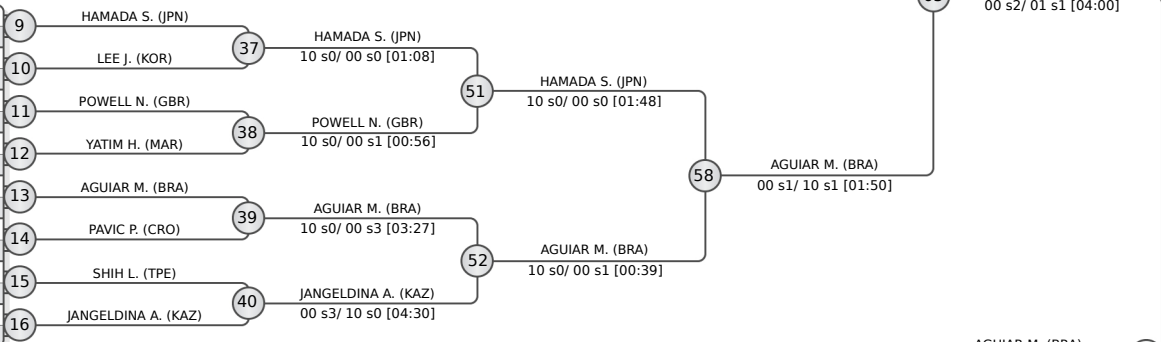
POOL A

| | | |
|-----|---|------------------------|
| GER | 1 | WAGNER Anna-Maria |
| NED | 2 | AUSMA Natascha |
| ITA | 3 | BELLANDI Alice |
| KGZ | 4 | NARUKHAMEDOVA Shakhida |
| GER | 5 | BOEHM Alina |
| CUB | 6 | ANTOMARCHI Kaliema |
| SLO | 7 | BROLIH Patricija |
| MGL | 8 | BATBAYAR Erdenet-Od |



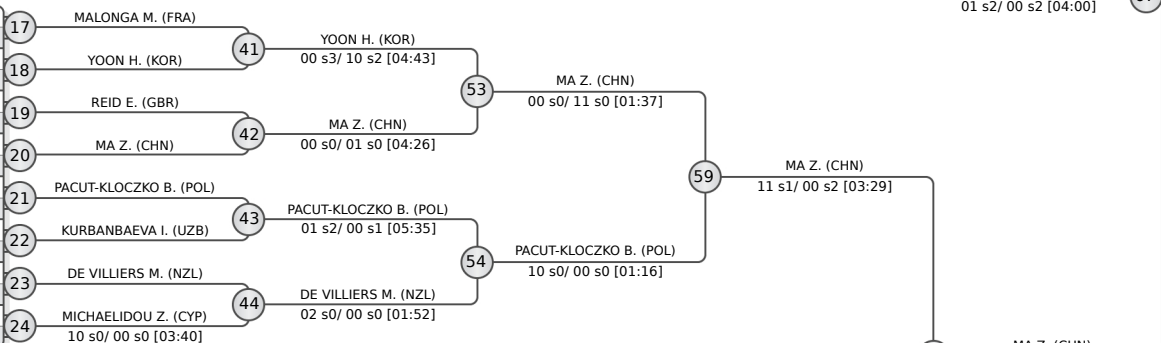
POOL B

| | | |
|-----|----|------------------|
| JPN | 9 | HAMADA Shori |
| KOR | 10 | LEE Jeongyun |
| GBR | 11 | POWELL Natalie |
| MAR | 12 | YATIM Hafsa |
| BRA | 13 | AGUIAR Mayra |
| CRO | 14 | PAVIC Petrunjela |
| TPE | 15 | SHIH Liu Li-Ling |
| KAZ | 16 | JANGELDINA Aruna |



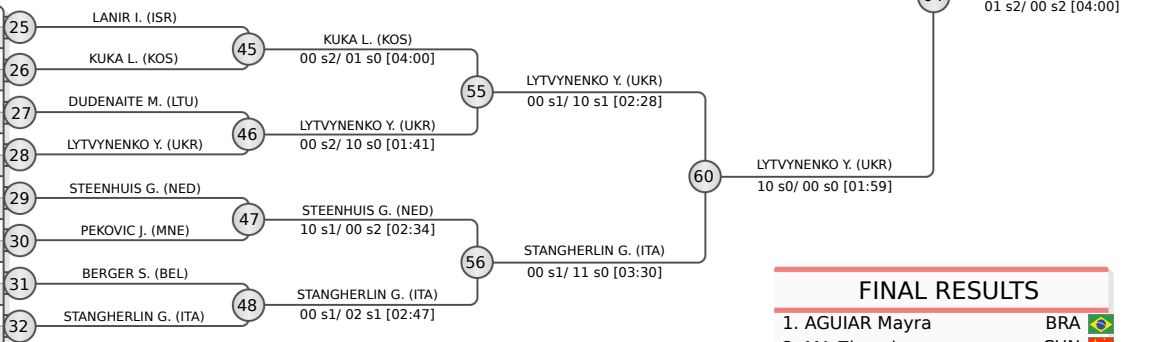
POOL C

| | | |
|-----|----|-------------------------|
| FRA | 17 | MALONGA Madeleine |
| KOR | 18 | YOON Hyunji |
| GBR | 19 | REID Emma |
| CHN | 20 | MA Zhenzhao |
| POL | 21 | PACUT-KLOCZKO Beata |
| UZB | 22 | KURBANBAEVA Iriskhon |
| NZL | 23 | DE VILLIERS Moira |
| CYP | 24 | MICHAELIDOU Zanet |
| CMR | 24 | ARREY SOPHINA Ayuk Otay |

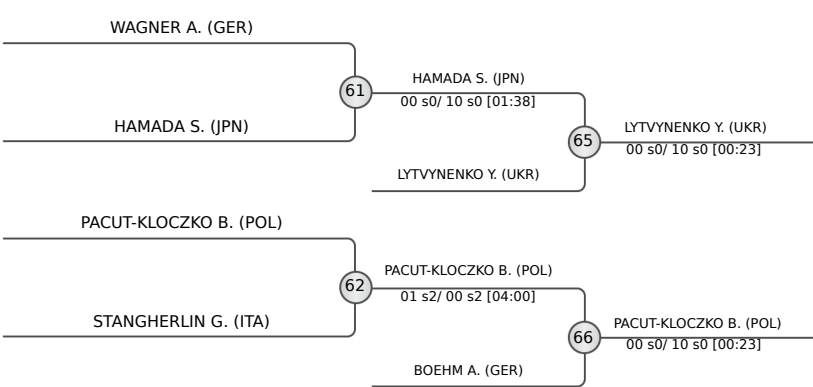


POOL D

| | | |
|-----|----|----------------------|
| ISR | 25 | LANIR Inbar |
| KOS | 26 | KUKA Lorian |
| LTU | 27 | DUDENAITE Migle |
| UKR | 28 | LYTVYENKO Yelyzaveta |
| NED | 29 | STEENHUIS Guusje |
| MNE | 30 | PEKOVIC Jovana |
| BEL | 31 | BERGER Sophie |
| ITA | 32 | STANGHERLIN Giorgia |



REPECHAGE



FINAL RESULTS

| | | | |
|----|----------------------|-----|--|
| 1. | AGUIAR Mayra | BRA | |
| 2. | MA Zhenzhao | CHN | |
| 3. | LYTVYENKO Yelyzaveta | UKR | |
| 3. | PACUT-KLOCZKO Beata | POL | |
| 5. | HAMADA Shori | JPN | |
| 7. | BOEHM Alina | GER | |
| 7. | WAGNER Anna-Maria | GER | |
| 7. | STANGHERLIN Giorgia | ITA | |





Tashkent World Championships Senior 2022

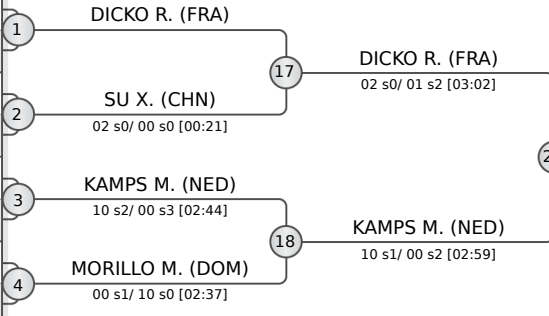
Uzbekistan, Tashkent, 6-12 Oct 2022

+78 kg

Seniors (29)

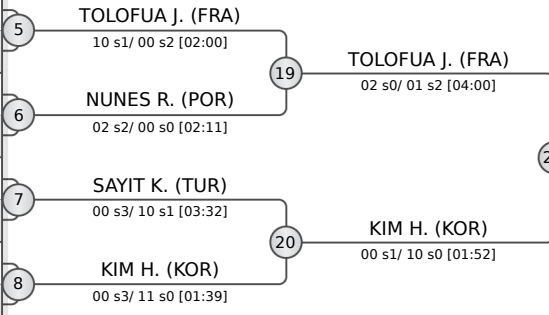
POOL A

| | | |
|--|------------------|-----|
| | DICKO Romane | FRA |
| | SU Xin | CHN |
| | CUTRO-KELLY Nina | USA |
| | KAMPS Marit | NED |
| | BERLIKASH Kamila | KAZ |
| | TSAI Jia Wen | TPE |
| | MORILLO Moira | DOM |



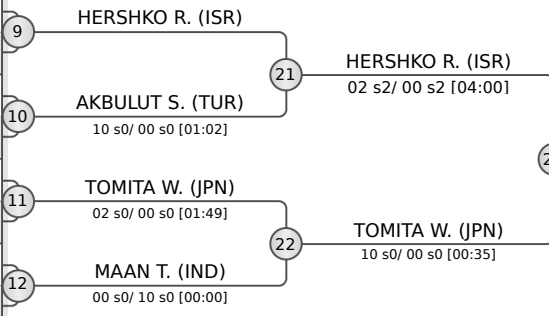
POOL B

| | | |
|--|---------------------|-----|
| | TOLOFUA Julia | FRA |
| | ZABIC Milica | SRB |
| | NUNES Rochele | POR |
| | PAULUSOVA Marketa | CZE |
| | CHEIKH ROUHOU Nihel | TUN |
| | SAYIT Kayra | TUR |
| | MARANIC Ivana | CRO |
| | KIM Hayun | KOR |



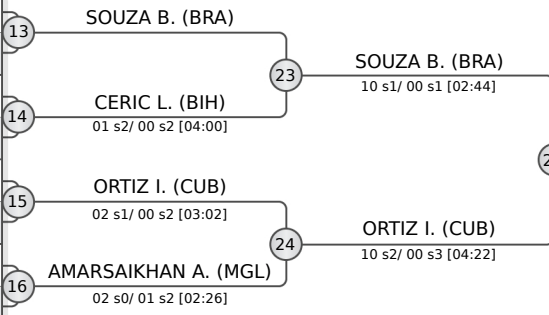
POOL C

| | | |
|--|-----------------|-----|
| | HERSHKO Raz | ISR |
| | AKBULUT Sebile | TUR |
| | SAGNA Monica | SEN |
| | TOMITA Wakaba | JPN |
| | WOLSZCZAK Kinga | POL |
| | RADIC Tina | CRO |
| | MAAN Tulika | IND |

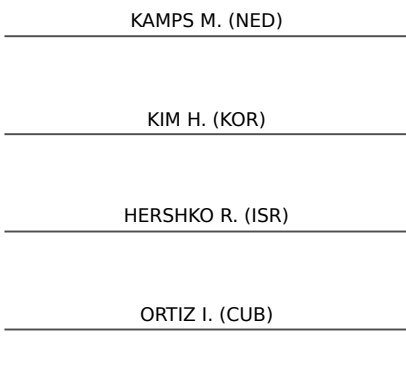


POOL D

| | | |
|--|------------------------|-----|
| | SOUZA Beatriz | BRA |
| | CERIC Larisa | BIH |
| | XU Shiyan | CHN |
| | ORTIZ Idalys | CUB |
| | SOMKHISHVILI Sophio | GEO |
| | AMARSAIKHAN Adiyasuren | MGL |
| | JABLONSKYTE Sandra | LTU |



REPECHAGE



| FINAL RESULTS | |
|------------------|-----|
| 1. DICKO Romane | FRA |
| 2. SOUZA Beatriz | BRA |
| 3. TOMITA Wakaba | JPN |
| 3. TOLOFUA Julia | FRA |
| 5. KIM Hayun | KOR |
| 5. HERSHKO Raz | ISR |
| 7. ORTIZ Idalys | CUB |
| 7. KAMPS Marit | NED |





Tashkent World Championships Senior 2022

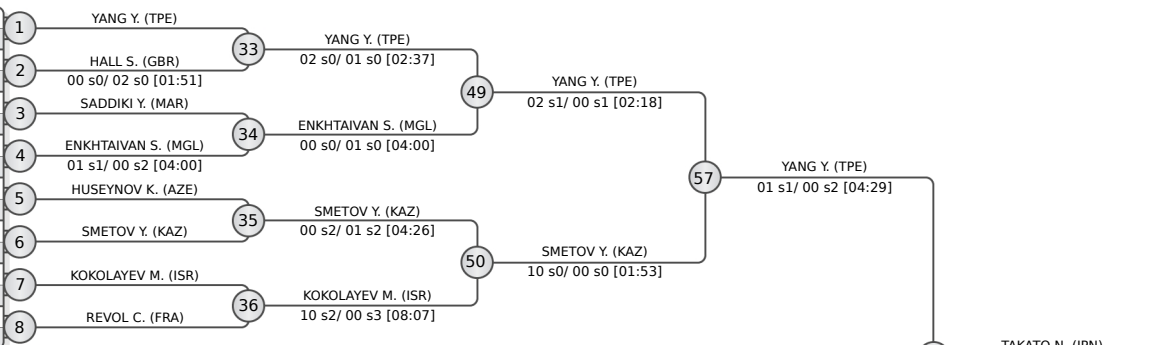
Uzbekistan, Tashkent, 6-12 Oct 2022

-60 kg

Seniors (42)

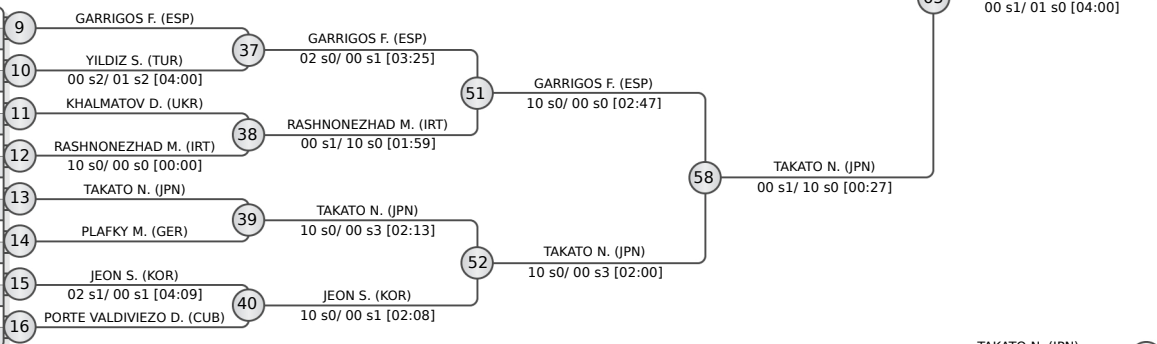
POOL A

| | | |
|----|------------------------|-----|
| 1 | YANG Yung Wei | TPE |
| 2 | KUWABARA Allan | BRA |
| 3 | HALL Samuel | GBR |
| 4 | SADDIKI Younes | MAR |
| 5 | ENKHTAIVAN Sumiyabazar | MGL |
| 6 | SAMY Yousry | EGY |
| 7 | HUSEYNOV Karamat | AZE |
| 8 | SMETOV Yeldos | KAZ |
| 9 | KOKOLAYEV Matan | ISR |
| 10 | REVOL Cedric | FRA |



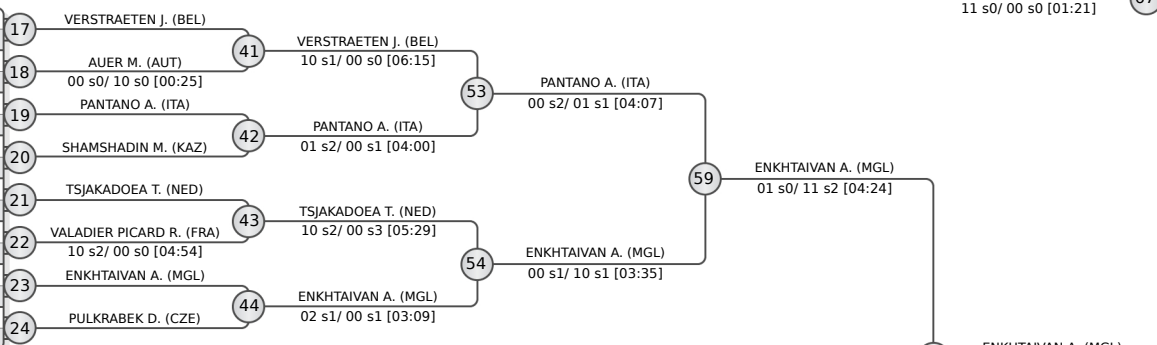
POOL B

| | | |
|----|------------------------|-----|
| 9 | GARRIGOS Francisco | ESP |
| 10 | STARKEL David | SLO |
| 11 | YILDIZ Salih | TUR |
| 12 | KHALMATOV Dilshot | UKR |
| 13 | RASHNONEZHAD Mohammad | IRT |
| 14 | JUMAYEV Hakberdi | TKM |
| 15 | TAKATO Naohisa | JPN |
| 16 | PLAFKY Moritz | GER |
| 17 | JEON Seungbeom | KOR |
| 18 | KARAKIZIDI Savva | GRE |
| 19 | PORTE VALDIVIEZO Danny | CUB |



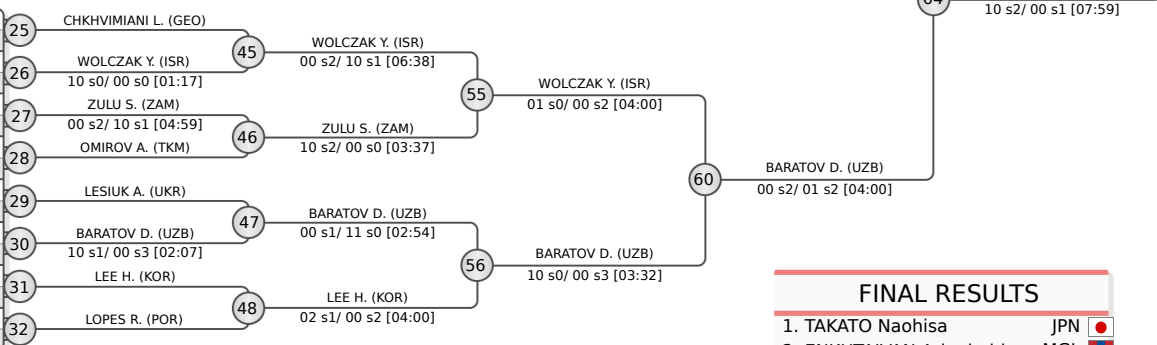
POOL C

| | | |
|----|---------------------------|-----|
| 17 | VERSTRAETEN Jorre | BEL |
| 18 | SEIBOU KANGAYE Souleymane | NIG |
| 19 | AUER Marcus | AUT |
| 20 | PANTANO Angelo | ITA |
| 21 | SHAMSHADIN Magzhan | KAZ |
| 22 | TSJAKADOEVA Tornike | NED |
| 23 | VALADIER PICARD Romain | FRA |
| 24 | YRYSBEKOV Khanbolot | KGZ |
| 25 | ENKHTAIVAN Ariunbold | MGL |
| 26 | PULKRABEK David | CZE |

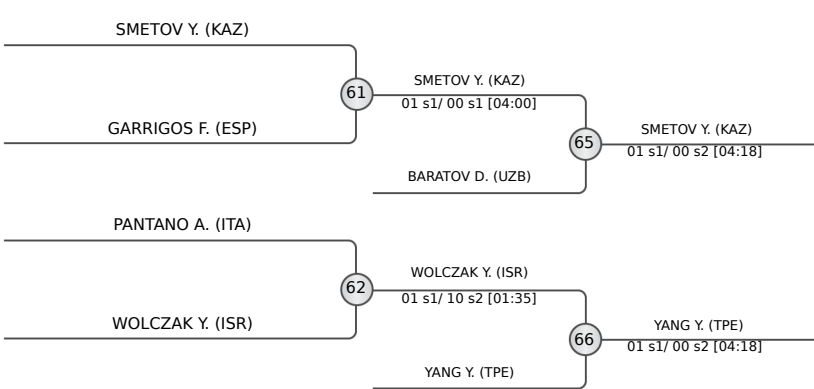


POOL D

| | | |
|----|---------------------|-----|
| 25 | CHKHVIMIANI Lukhumi | GEO |
| 26 | WOLCZAK Yam | ISR |
| 27 | DIAZ Adonis | USA |
| 28 | DABONE Daouda | CIV |
| 29 | ZULU Simon | ZAM |
| 30 | OMIROV Aybek | TKM |
| 31 | LESIUK Artem | UKR |
| 32 | BARATOV Dilshodbek | UZB |
| 33 | AKKASH Mohamad | IRT |
| 34 | LEE Harim | KOR |
| 35 | LOPES Rodrigo Costa | POR |



REPECHAGE



FINAL RESULTS

1. TAKATO Naohisa JPN
2. ENKHTAIVAN Ariunbold MGL
3. SMETOV Yeldos KAZ
4. YANG Yung Wei TPE
5. BARATOV Dilshodbek UZB
6. WOLCZAK Yam ISR
7. PANTANO Angelo ITA
8. GARRIGOS Francisco ESP





Tashkent World Championships Senior 2022

Uzbekistan, Tashkent, 6-12 Oct 2022

-66 kg

Seniors (44)

POOL A

| | | |
|----|------------------------------|-------------------------|
| 1 | VIERU Denis (MDA) | VIERU D. (MDA) |
| 2 | BUNCIC Strahinja (SRB) | BUNCIC S. (SRB) |
| 3 | FLICKER Tai (ISR) | FLICKER L. (ISR) |
| 4 | SLAMBERGER Lennart (GER) | SLAMBERGER L. (GER) |
| 5 | POSTIGOS Juan (PER) | POSTIGOS J. (PER) |
| 6 | GAITERO MARTIN Alberto (ESP) | GAITERO MARTIN A. (ESP) |
| 7 | SAFAROV Orkhan (AZE) | SAFAROV O. (AZE) |
| 8 | WAIZENEGGER Freddy (SUI) | WAIZENEGGER F. (SUI) |
| 9 | ALHASSANE Ismael (NIG) | ALHASSANE I. (NIG) |
| 10 | NURILLAEV Sardor (UZB) | NURILLAEV S. (UZB) |
| 11 | IADOV Bogdan (UKR) | IADOV B. (UKR) |

POOL B

| | | |
|----|------------------------------|-------------------------|
| 9 | ABE Hifumi (JPN) | ABE H. (JPN) |
| 10 | TAKABATAKE Eric (BRA) | SAHA L. (FIN) |
| 11 | SAHA Luukas (FIN) | SAHA L. (FIN) |
| 12 | POLANCO Orlando (CUB) | POLANCO O. (CUB) |
| 13 | EMOMALI Nurali (TJK) | EMOMALI N. (TJK) |
| 14 | YONDONPERENLEI Baskhuu (MGL) | YONDONPERENLEI B. (MGL) |
| 15 | ABDELMAWGOUD Mohamed (EGY) | KODZHAKOV R. (BRN) |
| 16 | KODZHAKOV Ramazan (BRN) | KODZHAKOV R. (BRN) |
| 17 | MANZI Elios (ITA) | MANZI E. (ITA) |
| 18 | TEMEJKOV Bozhidar (BUL) | TEMEJKOV B. (BUL) |
| 19 | MUNGANDU Steven (ZAM) | MUNGANDU S. (ZAM) |

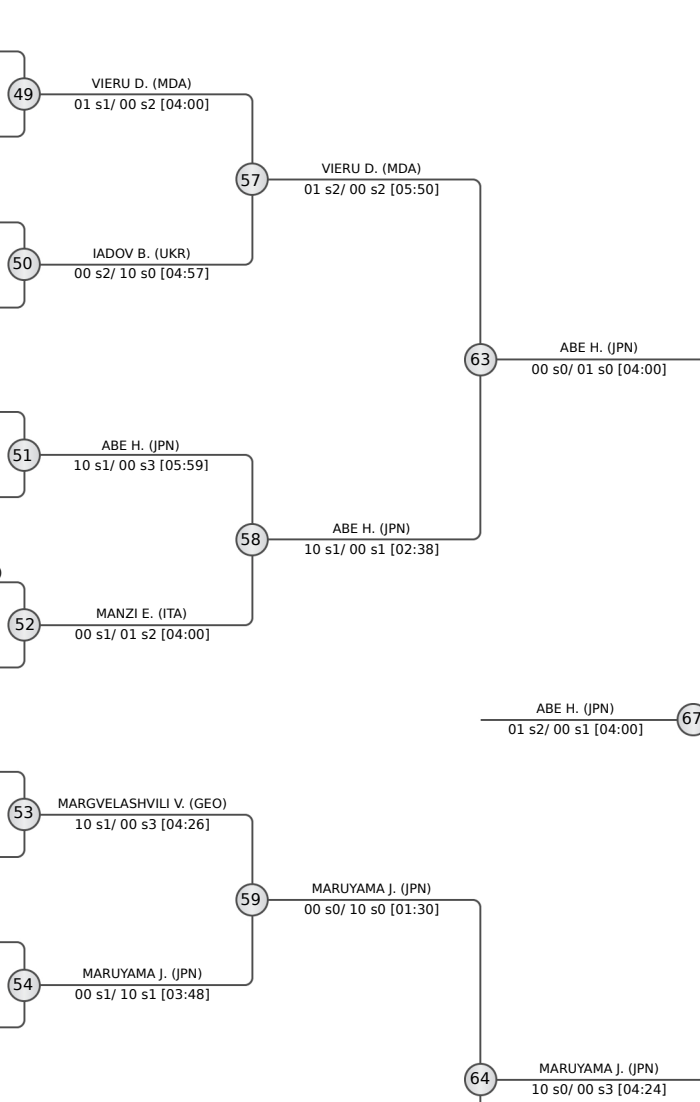
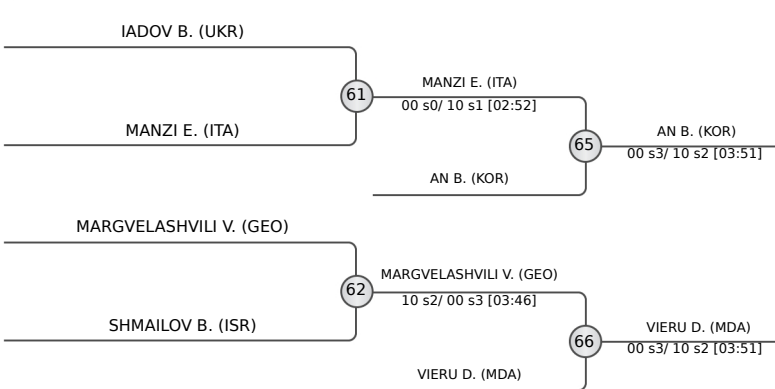
POOL C

| | | |
|----|------------------------------|-------------------------|
| 17 | MARGVELASHVILI Vazha (GEO) | MARGVELASHVILI V. (GEO) |
| 18 | BOUSHITA Abderrahmane (MAR) | BOUSHITA A. (MAR) |
| 19 | DEMIREL Muhammed (TUR) | DEMIREL M. (TUR) |
| 20 | MARANDIAN Karo (UKR) | MARANDIAN K. (UKR) |
| 21 | RAMIREZ Isaiah (USA) | RAMIREZ I. (USA) |
| 22 | LIMA Willian (BRA) | LIMA W. (BRA) |
| 23 | IZVOREANU Radu (MDA) | IZVOREANU R. (MDA) |
| 24 | GERCHEV Yanislav (BUL) | GERCHEV Y. (BUL) |
| 25 | VERHORSTERT Ivo (NED) | VERHORSTERT I. (NED) |
| 26 | MARUYAMA Joshiro (JPN) | MARUYAMA J. (JPN) |
| 27 | BORS DUMITRESCU Lucian (ROU) | BORS D. (ROU) |

POOL D

| | | |
|----|-----------------------------|---------------------------|
| 25 | AN Baul (KOR) | AN B. (KOR) |
| 26 | PIRAS Matteo (ITA) | PIRAS M. (ITA) |
| 27 | KYRGYZBAYEV Gusman (KAZ) | KYRGYZBAYEV G. (KAZ) |
| 28 | NIETO CHINARRO Adrian (ESP) | NIETO CHINARRO A. (ESP) |
| 29 | NAJAFOV Yashar (AZE) | NAJAFOV Y. (AZE) |
| 30 | NOSRATI Miad (IRT) | NOSRATI M. (IRT) |
| 31 | SHMAILOV Baruch (ISR) | SHMAILOV B. (ISR) |
| 32 | SANCHO CHINCHILA Ian (CRC) | SANCHO CHINCHILA I. (CRC) |
| 33 | GANBOLD Kherlen (MGL) | KHYAR W. (FRA) |
| 34 | KHYAR Walide (FRA) | KHYAR W. (FRA) |
| 35 | EZZINE Wail (ALG) | EZZINE W. (ALG) |

REPECHAGE



FINAL RESULTS

1. ABE Hifumi (JPN)
2. MARUYAMA Joshiro (JPN)
3. AN Baul (KOR)
3. VIERU Denis (MDA)
5. MANZI Elios (ITA)
5. MARGVELASHVILI Vazha (GEO)
7. SHMAILOV Baruch (ISR)
7. IADOV Bogdan (UKR)





Tashkent World Championships Senior 2022

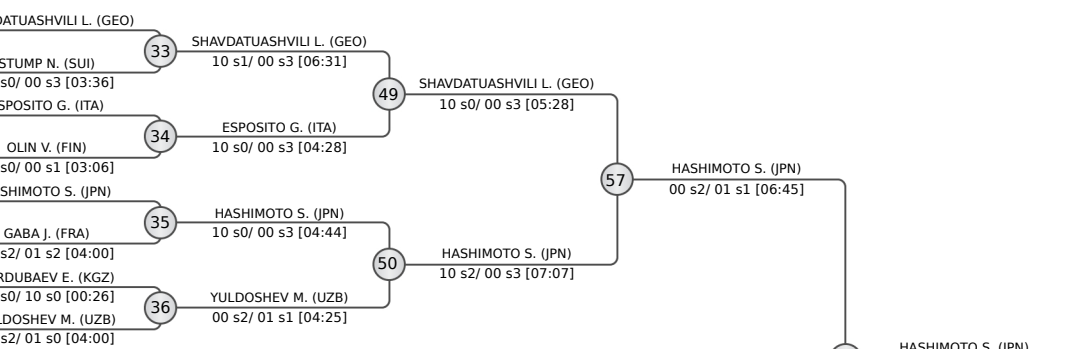
Uzbekistan, Tashkent, 6-12 Oct 2022

-73 kg

Seniors (51)

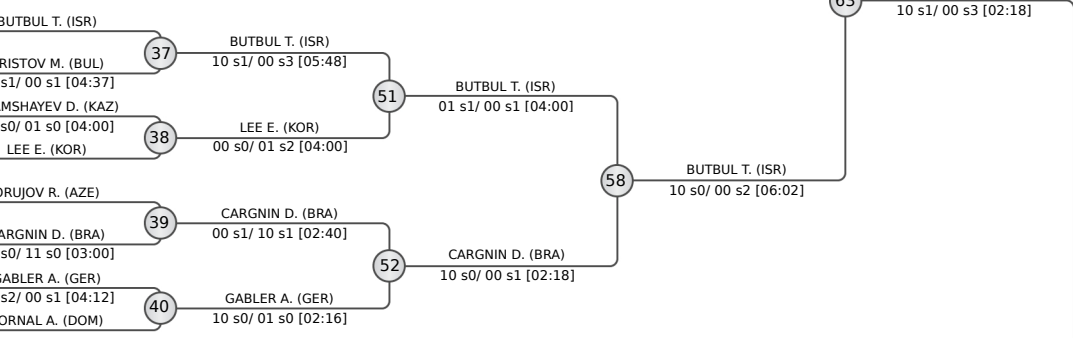
POOL A

| | | | | | |
|---|--------------------------|-----|---|--------------------------|-----|
| 1 | SHAVDATUASHVILI Lasha | GEO | 1 | SHAVDATUASHVILI L. (GEO) | |
| 2 | STUMP Nils | SUI | 2 | STUMP N. (SUI) | |
| 3 | SARAKHONOV Muhammadrahim | TJK | 3 | ESPOSITO Giovanni | ITA |
| 4 | OLIN Valtteri | FIN | 4 | OLIN V. (FIN) | |
| 5 | SANCHO Julian | CRC | 5 | HASHIMOTO Soichi | JPN |
| 6 | DRIS Messaoud Redouane | ALG | 6 | GABA J. (FRA) | FRA |
| 7 | GABA Joan-Benjamin | FRA | 7 | TURDUBAEV Ertur | KGZ |
| 8 | JAUHARI Jawid | IRT | 8 | NJIE Faye | GAM |
| | | | | YULDOSHEV Murodjon | UZB |



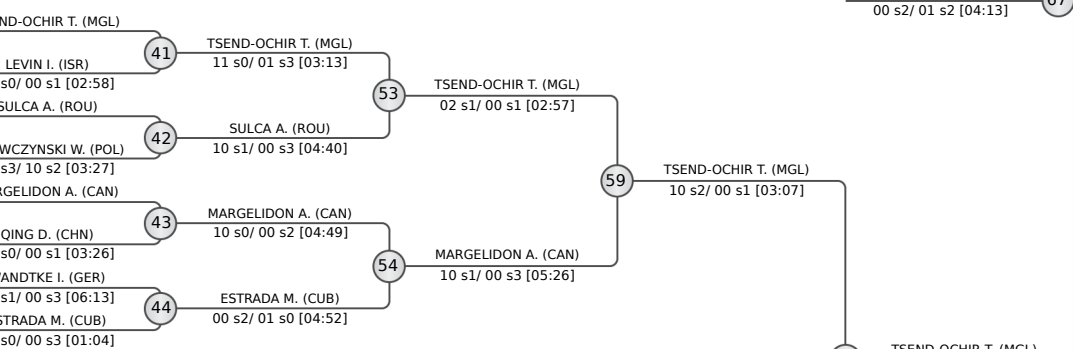
POOL B

| | | | | | |
|----|----------------------|-----|----|------------------------|-----|
| 9 | BUTBUL Tohar | ISR | 9 | BUTBUL T. (ISR) | |
| 10 | HRISTOV Mark | BUL | 10 | HRISTOV M. (BUL) | |
| 11 | TSOUTLASVILI Michail | GRE | 11 | SHAMSHAYEV D. (KAZ) | USA |
| 12 | YONEZUKA Jack | USA | 12 | LEE Eunkyul | KOR |
| 13 | SHAMSHAYEV Daniyar | KAZ | 13 | ORUJOV Rustam | AZE |
| 14 | LEE Eunkyul | KOR | 14 | RAICU Alexandru | ROU |
| 15 | ORUJOV Rustam | AZE | 15 | CARGNIN Daniel | BRA |
| 16 | RAICU Alexandru | ROU | 16 | GABLER Alexander Bernd | GER |
| | | | | STODOLSKI Adam | POL |
| | | | | TORNAL Antonio | DOM |



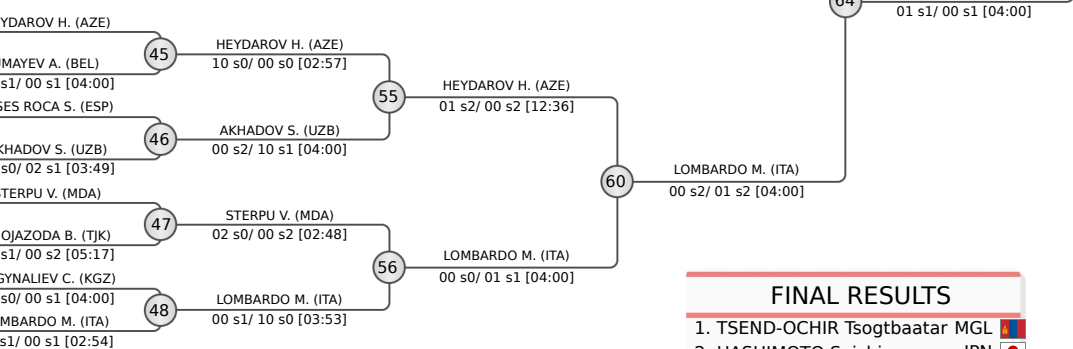
POOL C

| | | | | | |
|----|-------------------------|-----|----|----------------------|-----|
| 17 | TSEND-OCHIR Tsogtbaatar | MGL | 17 | TSEND-OCHIR T. (MGL) | |
| 18 | LEVIN Ido | ISR | 18 | LEVIN I. (ISR) | |
| 19 | HAMAD Sulaiman | KSA | 19 | SULCA Adrian | ROU |
| 20 | SULCA Adrian | ROU | 20 | MROWCZYNSKI Wiktor | POL |
| 21 | HOJAK Martin | SLO | 21 | MARGELIDON Arthur | CAN |
| 22 | MROWCZYNSKI Wiktor | POL | 22 | QING Daga | CHN |
| 23 | MARGELIDON Arthur | CAN | 23 | POCHOP Daniel | CZE |
| 24 | QING Daga | CHN | 24 | WANDTKE Igor | GER |
| | | | | BEN CHALBI Aledine | TUN |
| | | | | ESTRADA Magdiel | CUB |
| | | | | ALIKAJ Ahmad | IRT |

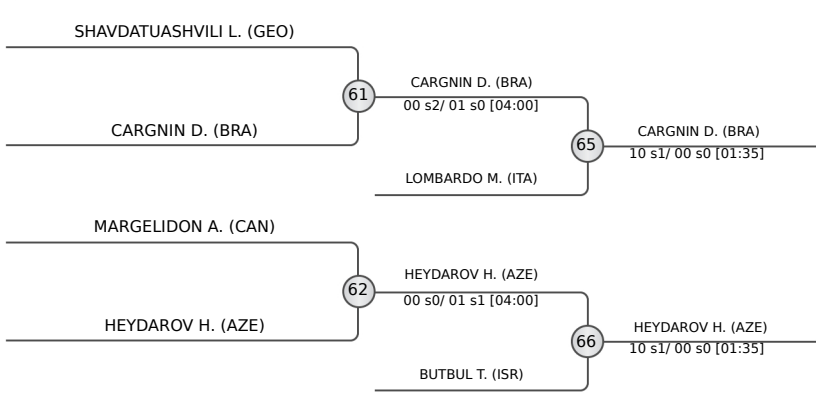


POOL D

| | | | | | |
|----|---------------------|-----|----|------------------------|-----|
| 25 | HEYDAROV Hidayat | AZE | 25 | HEYDAROV H. (AZE) | |
| 26 | UMAYEV Abdul Malik | BEL | 26 | UMAYEV A. (BEL) | |
| 27 | ABDELMOUATY Ali | EGY | 27 | CASES ROCA Salvador | ESP |
| 28 | CASES ROCA Salvador | ESP | 28 | AKHADOV S. (UZB) | USA |
| 29 | RODRIGUEZ Dominic | USA | 29 | STERPU Victor | MDA |
| 30 | AKHADOV Shakhram | UZB | 30 | KHOJAZODA Behruzi | TJK |
| 31 | STERPU Victor | MDA | 31 | AXUS Benjamin | FRA |
| 32 | KHOJAZODA Behruzi | TJK | 32 | SAGYNALIEV Chyngyzkhan | KGZ |
| | | | | NAKANO Keisei | PHI |
| | | | | LOMBARDO Manuel | ITA |
| | | | | KHOMULA Artem | UKR |



REPECHAGE



FINAL RESULTS

1. TSEND-OCHIR Tsogtbaatar MGL
2. HASHIMOTO Soichi JPN
3. CARGNIN Daniel BRA
4. HEYDAROV Hidayat AZE
5. BUTBUL Tohar ISR
6. MARGELIDON Arthur CAN
7. SHAVDATUASHVILI Lasha GEO





Tashkent World Championships Senior 2022

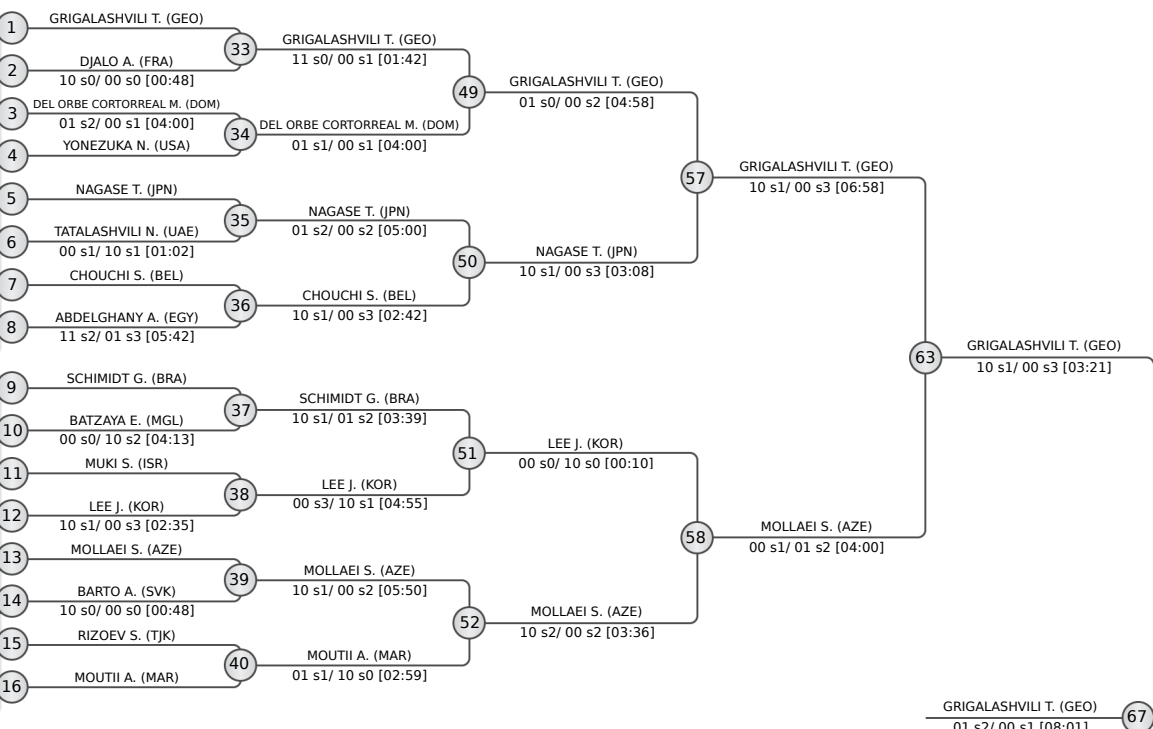
Uzbekistan, Tashkent, 6-12 Oct 2022

-81 kg

Seniors (47)

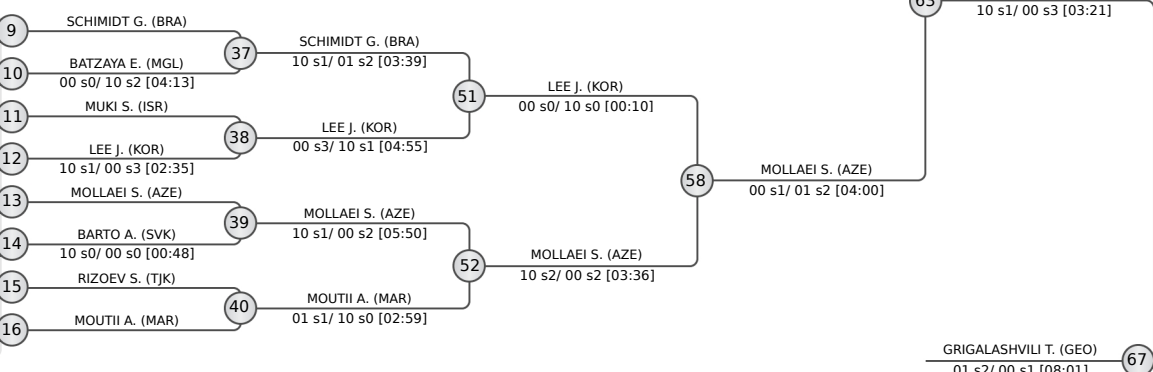
POOL A

| | | |
|----|-------------------------------|-----|
| 1 | GRIGALASHVILI Tato | GEO |
| 2 | DJALO Alpha Oumar | FRA |
| 3 | DRZYMAL Pawel | POL |
| 4 | DEL ORBE CORTORREAL Medickson | DOM |
| 5 | RESSEL Dominic | GER |
| 6 | YONEZUKA Nicolas | USA |
| 7 | NAGASE Takanori | JPN |
| 8 | MANUKIAN Hievorh | UKR |
| 9 | TATALASHVILI Nugzari | AZE |
| 10 | CHOUCHI Sami | BEL |
| 11 | ABDELGHANY Abdelrahman | EGY |
| 12 | ZOLOEV Vladimir | KGZ |



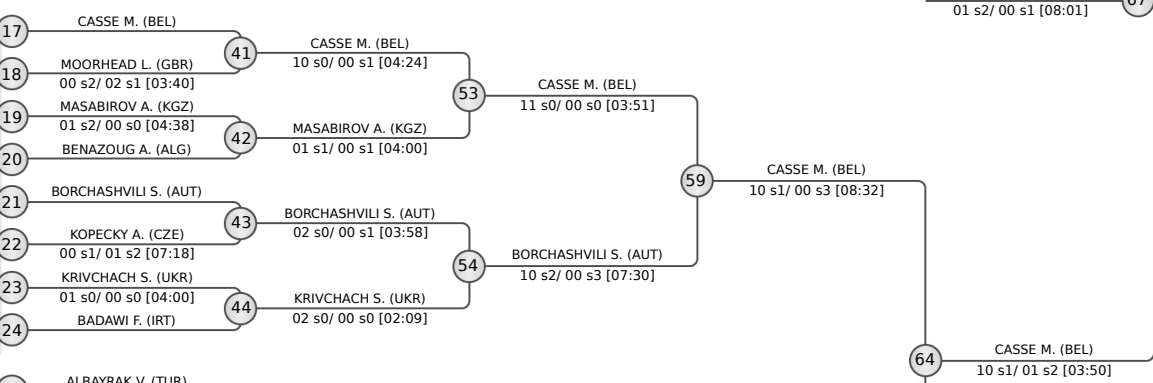
POOL B

| | | |
|----|----------------------|-----|
| 9 | SCHIMIDT Guilherme | BRA |
| 10 | ESPOSITO Antonio | ITA |
| 11 | BATZAYA Erdenebayar. | MGL |
| 12 | MUKI Sagi | ISR |
| 13 | LEE Joonhwan | KOR |
| 14 | MYLONELIS Athanasios | GRE |
| 15 | MOLLAEI Saeid | AZE |
| 16 | BARTO Alex | SVK |
| 17 | ZABOROSCIUC Nikon | MDA |
| 18 | RIZOEVI Shodmon | TJK |
| 19 | MOUTII Achraf | MAR |



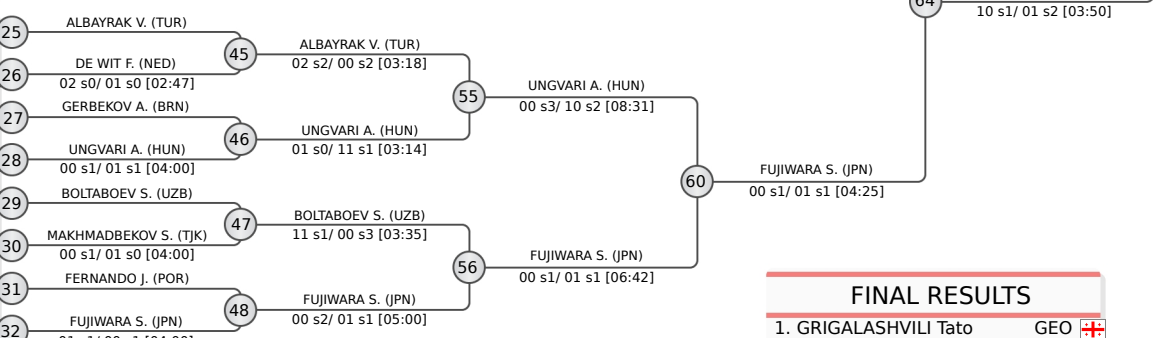
POOL C

| | | |
|----|-------------------------|-----|
| 17 | CASSE Matthias | BEL |
| 18 | HAIJYEV Eljan | AZE |
| 19 | MOORHEAD Lachlan | GBR |
| 20 | MASABIROV Asad | KGZ |
| 21 | MARCINKIEWICZ Sebastian | POL |
| 22 | BENAZOUG Aghiles-Imad | ALG |
| 23 | BORCHASHVILI Shamil | AUT |
| 24 | URQUIZA SOLANA Alfonso | ESP |
| 25 | KOPECKY Adam | CZE |
| 26 | KRIVCHACH Sergii | UKR |
| 27 | GANDIA Adrian | PUR |
| 28 | BADAWI Fares | IRT |

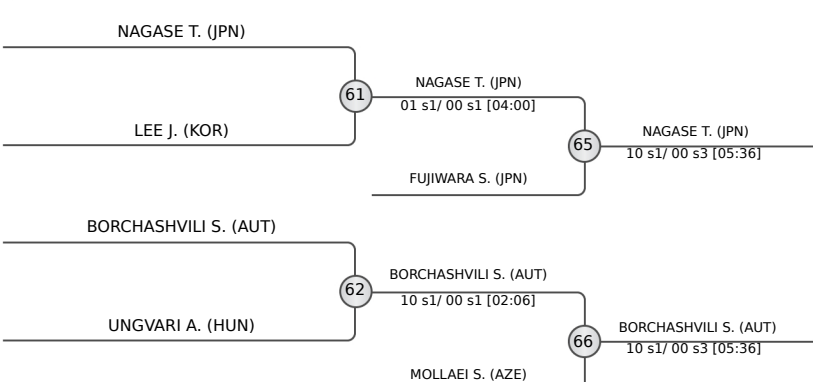


POOL D

| | | |
|----|---------------------------|-----|
| 25 | ALBAYRAK Vedat | TUR |
| 26 | DE WIT Frank | NED |
| 27 | ZHUBANAZAR Abylaikhan | KAZ |
| 28 | GERBEKOV Askerbii | BRN |
| 29 | LATISEV Mihail | MDA |
| 30 | UNGVARI Attila | HUN |
| 31 | BOLTABOEV Sharofiddin | UZB |
| 32 | GAUTHIER DRAPEAU Francois | CAN |
| 33 | MAKHMADBEKOV Somon | TJK |
| 34 | FERNANDO Joao | POR |
| 35 | FUJIWARA Sotaro | JPN |
| 36 | KIM Jonghoon | KOR |



REPECHAGE



FINAL RESULTS

| | | |
|----|---------------------|-----|
| 1. | GRIGALASHVILI Tato | GEO |
| 2. | CASSE Matthias | BEL |
| 3. | NAGASE Takanori | JPN |
| 4. | BORCHASHVILI Shamil | AUT |
| 5. | FUJIWARA Sotaro | JPN |
| 6. | MOLLAEI Saeid | AZE |
| 7. | UNGVARI Attila | HUN |
| 8. | LEE Joonhwan | KOR |





Tashkent World Championships Senior 2022

Uzbekistan, Tashkent, 6-12 Oct 2022

-90 kg

Seniors (49)

POOL A

| | | | |
|----|----------------------|----|-------------------------------|
| 1 | BOBONOV Davlat (UZB) | 2 | ZILKA Peter (SVK) |
| 3 | HAN Juyeop (KOR) | 4 | NERPEL Gergely (HUN) |
| 5 | ZGANK Mihael (TUR) | 6 | EGUTIDZE Anri (POR) |
| 7 | VAN T END Noel (NED) | 8 | JAYNE John (USA) |
| 9 | EGUTIDZE A. (POR) | 10 | IVANOV Ivaylo (BUL) |
| 11 | VAN T END N. (NED) | 12 | USTOPIRIYON Komronshokh (TJK) |
| 13 | EGUTIDZE A. (POR) | 14 | MUNGAI Nicholas (ITA) |
| 15 | IVANOV I. (BUL) | 16 | IVANOV I. (BUL) |
| 17 | IVANOV I. (BUL) | 18 | IVANOV I. (BUL) |
| 19 | IVANOV I. (BUL) | 20 | IVANOV I. (BUL) |
| 21 | IVANOV I. (BUL) | 22 | IVANOV I. (BUL) |
| 23 | IVANOV I. (BUL) | 24 | IVANOV I. (BUL) |
| 25 | IVANOV I. (BUL) | 26 | IVANOV I. (BUL) |
| 27 | IVANOV I. (BUL) | 28 | IVANOV I. (BUL) |
| 29 | IVANOV I. (BUL) | 30 | IVANOV I. (BUL) |
| 31 | IVANOV I. (BUL) | 32 | IVANOV I. (BUL) |
| 33 | IVANOV I. (BUL) | 34 | IVANOV I. (BUL) |
| 35 | IVANOV I. (BUL) | 36 | IVANOV I. (BUL) |
| 37 | IVANOV I. (BUL) | 38 | IVANOV I. (BUL) |
| 39 | IVANOV I. (BUL) | 40 | IVANOV I. (BUL) |
| 41 | IVANOV I. (BUL) | 42 | IVANOV I. (BUL) |
| 43 | IVANOV I. (BUL) | 44 | IVANOV I. (BUL) |
| 45 | IVANOV I. (BUL) | 46 | IVANOV I. (BUL) |
| 47 | IVANOV I. (BUL) | 48 | IVANOV I. (BUL) |
| 49 | IVANOV I. (BUL) | 50 | IVANOV I. (BUL) |
| 51 | IVANOV I. (BUL) | 52 | IVANOV I. (BUL) |
| 53 | IVANOV I. (BUL) | 54 | IVANOV I. (BUL) |
| 55 | IVANOV I. (BUL) | 56 | IVANOV I. (BUL) |
| 57 | IVANOV I. (BUL) | 58 | IVANOV I. (BUL) |
| 59 | IVANOV I. (BUL) | 60 | IVANOV I. (BUL) |
| 61 | IVANOV I. (BUL) | 62 | IVANOV I. (BUL) |
| 63 | IVANOV I. (BUL) | 64 | IVANOV I. (BUL) |
| 65 | IVANOV I. (BUL) | 66 | IVANOV I. (BUL) |
| 67 | IVANOV I. (BUL) | 68 | IVANOV I. (BUL) |
| 69 | IVANOV I. (BUL) | 70 | IVANOV I. (BUL) |
| 71 | IVANOV I. (BUL) | 72 | IVANOV I. (BUL) |
| 73 | IVANOV I. (BUL) | 74 | IVANOV I. (BUL) |
| 75 | IVANOV I. (BUL) | 76 | IVANOV I. (BUL) |
| 77 | IVANOV I. (BUL) | 78 | IVANOV I. (BUL) |
| 79 | IVANOV I. (BUL) | 80 | IVANOV I. (BUL) |

POOL B

| | | | |
|----|---------------------------------|----|------------------------|
| 9 | SILVA MORALES Ivan Felipe (CUB) | 10 | MAJDOV Nemanja (SRB) |
| 11 | GOTONOAGA Dorin (MDA) | 12 | FEUILLET Remi (MRI) |
| 13 | KHAMZA Didar (KAZ) | 14 | KLAMMERT David (CZE) |
| 15 | BEKAURI Lasha (GEO) | 16 | BEKAURI Lasha (GEO) |
| 17 | CASSAR Harrison (AUS) | 18 | MASHIYAMA Kosuke (JPN) |
| 19 | MASHIYAMA Kosuke (JPN) | 20 | MACEDO Rafael (BRA) |
| 21 | MACEDO Rafael (BRA) | 22 | MACEDO Rafael (BRA) |
| 23 | MACEDO Rafael (BRA) | 24 | MACEDO Rafael (BRA) |
| 25 | MACEDO Rafael (BRA) | 26 | MACEDO Rafael (BRA) |
| 27 | MACEDO Rafael (BRA) | 28 | MACEDO Rafael (BRA) |
| 29 | MACEDO Rafael (BRA) | 30 | MACEDO Rafael (BRA) |
| 31 | MACEDO Rafael (BRA) | 32 | MACEDO Rafael (BRA) |
| 33 | MACEDO Rafael (BRA) | 34 | MACEDO Rafael (BRA) |
| 35 | MACEDO Rafael (BRA) | 36 | MACEDO Rafael (BRA) |
| 37 | MACEDO Rafael (BRA) | 38 | MACEDO Rafael (BRA) |
| 39 | MACEDO Rafael (BRA) | 40 | MACEDO Rafael (BRA) |
| 41 | MACEDO Rafael (BRA) | 42 | MACEDO Rafael (BRA) |
| 43 | MACEDO Rafael (BRA) | 44 | MACEDO Rafael (BRA) |
| 45 | MACEDO Rafael (BRA) | 46 | MACEDO Rafael (BRA) |
| 47 | MACEDO Rafael (BRA) | 48 | MACEDO Rafael (BRA) |
| 49 | MACEDO Rafael (BRA) | 50 | MACEDO Rafael (BRA) |
| 51 | MACEDO Rafael (BRA) | 52 | MACEDO Rafael (BRA) |
| 53 | MACEDO Rafael (BRA) | 54 | MACEDO Rafael (BRA) |
| 55 | MACEDO Rafael (BRA) | 56 | MACEDO Rafael (BRA) |
| 57 | MACEDO Rafael (BRA) | 58 | MACEDO Rafael (BRA) |
| 59 | MACEDO Rafael (BRA) | 60 | MACEDO Rafael (BRA) |
| 61 | MACEDO Rafael (BRA) | 62 | MACEDO Rafael (BRA) |
| 63 | MACEDO Rafael (BRA) | 64 | MACEDO Rafael (BRA) |
| 65 | MACEDO Rafael (BRA) | 66 | MACEDO Rafael (BRA) |
| 67 | MACEDO Rafael (BRA) | 68 | MACEDO Rafael (BRA) |
| 69 | MACEDO Rafael (BRA) | 70 | MACEDO Rafael (BRA) |
| 71 | MACEDO Rafael (BRA) | 72 | MACEDO Rafael (BRA) |
| 73 | MACEDO Rafael (BRA) | 74 | MACEDO Rafael (BRA) |
| 75 | MACEDO Rafael (BRA) | 76 | MACEDO Rafael (BRA) |
| 77 | MACEDO Rafael (BRA) | 78 | MACEDO Rafael (BRA) |
| 79 | MACEDO Rafael (BRA) | 80 | MACEDO Rafael (BRA) |

POOL C

| | | | |
|----|---------------------------|----|---------------------------|
| 17 | MEHDIYEV Mammadali (AZE) | 18 | PARLATI Christian (ITA) |
| 19 | PARLATI Christian (ITA) | 20 | KNAUF Alexander (USA) |
| 21 | BRASNJOVIC Darko (SRB) | 22 | TSELIDIS Theodoros (GRE) |
| 23 | TSELIDIS Theodoros (GRE) | 24 | BORCHASHVILI Wachid (AUT) |
| 25 | BORCHASHVILI Wachid (AUT) | 26 | TRIPPEL Eduard (GER) |
| 27 | TRIPPEL Eduard (GER) | 28 | TRIPPEL Eduard (GER) |
| 29 | TRIPPEL Eduard (GER) | 30 | TRIPPEL Eduard (GER) |
| 31 | TRIPPEL Eduard (GER) | 32 | TRIPPEL Eduard (GER) |
| 33 | TRIPPEL Eduard (GER) | 34 | TRIPPEL Eduard (GER) |
| 35 | TRIPPEL Eduard (GER) | 36 | TRIPPEL Eduard (GER) |
| 37 | TRIPPEL Eduard (GER) | 38 | TRIPPEL Eduard (GER) |
| 39 | TRIPPEL Eduard (GER) | 40 | TRIPPEL Eduard (GER) |
| 41 | TRIPPEL Eduard (GER) | 42 | TRIPPEL Eduard (GER) |
| 43 | TRIPPEL Eduard (GER) | 44 | TRIPPEL Eduard (GER) |
| 45 | TRIPPEL Eduard (GER) | 46 | TRIPPEL Eduard (GER) |
| 47 | TRIPPEL Eduard (GER) | 48 | TRIPPEL Eduard (GER) |
| 49 | TRIPPEL Eduard (GER) | 50 | TRIPPEL Eduard (GER) |
| 51 | TRIPPEL Eduard (GER) | 52 | TRIPPEL Eduard (GER) |
| 53 | TRIPPEL Eduard (GER) | 54 | TRIPPEL Eduard (GER) |
| 55 | TRIPPEL Eduard (GER) | 56 | TRIPPEL Eduard (GER) |
| 57 | TRIPPEL Eduard (GER) | 58 | TRIPPEL Eduard (GER) |
| 59 | TRIPPEL Eduard (GER) | 60 | TRIPPEL Eduard (GER) |
| 61 | TRIPPEL Eduard (GER) | 62 | TRIPPEL Eduard (GER) |
| 63 | TRIPPEL Eduard (GER) | 64 | TRIPPEL Eduard (GER) |
| 65 | TRIPPEL Eduard (GER) | 66 | TRIPPEL Eduard (GER) |
| 67 | TRIPPEL Eduard (GER) | 68 | TRIPPEL Eduard (GER) |
| 69 | TRIPPEL Eduard (GER) | 70 | TRIPPEL Eduard (GER) |
| 71 | TRIPPEL Eduard (GER) | 72 | TRIPPEL Eduard (GER) |
| 73 | TRIPPEL Eduard (GER) | 74 | TRIPPEL Eduard (GER) |
| 75 | TRIPPEL Eduard (GER) | 76 | TRIPPEL Eduard (GER) |
| 77 | TRIPPEL Eduard (GER) | 78 | TRIPPEL Eduard (GER) |
| 79 | TRIPPEL Eduard (GER) | 80 | TRIPPEL Eduard (GER) |

POOL D

| | | | |
|----|-----------------------------|----|-----------------------------|
| 25 | TOTH Krisztian (HUN) | 26 | MOSAKHLISHVILI T. (ESP) |
| 27 | CRET Alex (ROU) | 28 | MOSAKHLISHVILI T. (ESP) |
| 29 | MOSAKHLISHVILI T. (ESP) | 30 | MADZHIDOV Dzhakhongir (TJK) |
| 31 | MADZHIDOV Dzhakhongir (TJK) | 32 | GUNCHENKO Stanislav (UKR) |
| 33 | GUNCHENKO Stanislav (UKR) | 34 | RANDL Milan (SVK) |
| 35 | RANDL Milan (SVK) | 36 | MAISURADZE Luka (GEO) |
| 37 | MAISURADZE Luka (GEO) | 38 | MAISURADZE Luka (GEO) |
| 39 | MAISURADZE Luka (GEO) | 40 | MAISURADZE Luka (GEO) |
| 41 | MAISURADZE Luka (GEO) | 42 | MAISURADZE Luka (GEO) |
| 43 | MAISURADZE Luka (GEO) | 44 | MAISURADZE Luka (GEO) |
| 45 | MAISURADZE Luka (GEO) | 46 | MAISURADZE Luka (GEO) |
| 47 | MAISURADZE Luka (GEO) | 48 | MAISURADZE Luka (GEO) |
| 49 | MAISURADZE Luka (GEO) | 50 | MAISURADZE Luka (GEO) |
| 51 | MAISURADZE Luka (GEO) | 52 | MAISURADZE Luka (GEO) |
| 53 | MAISURADZE Luka (GEO) | 54 | MAISURADZE Luka (GEO) |
| 55 | MAISURADZE Luka (GEO) | 56 | MAISURADZE Luka (GEO) |
| 57 | MAISURADZE Luka (GEO) | 58 | MAISURADZE Luka (GEO) |
| 59 | MAISURADZE Luka (GEO) | 60 | MAISURADZE Luka (GEO) |
| 61 | MAISURADZE Luka (GEO) | 62 | MAISURADZE Luka (GEO) |
| 63 | MAISURADZE Luka (GEO) | 64 | MAISURADZE Luka (GEO) |
| 65 | MAISURADZE Luka (GEO) | 66 | MAISURADZE Luka (GEO) |
| 67 | MAISURADZE Luka (GEO) | 68 | MAISURADZE Luka (GEO) |
| 69 | MAISURADZE Luka (GEO) | 70 | MAISURADZE Luka (GEO) |
| 71 | MAISURADZE Luka (GEO) | 72 | MAISURADZE Luka (GEO) |
| 73 | MAISURADZE Luka (GEO) | 74 | MAISURADZE Luka (GEO) |
| 75 | MAISURADZE Luka (GEO) | 76 | MAISURADZE Luka (GEO) |
| 77 | MAISURADZE Luka (GEO) | 78 | MAISURADZE Luka (GEO) |
| 79 | MAISURADZE Luka (GEO) | 80 | MAISURADZE Luka (GEO) |

REPECHAGE

| | | | |
|----|-------------------------|----|-------------------------|
| 61 | IVANOV I. (BUL) | 62 | SILVA MORALES I. (CUB) |
| 63 | SILVA MORALES I. (CUB) | 64 | MAISURADZE L. (GEO) |
| 65 | MAISURADZE L. (GEO) | 66 | MOSAKHLISHVILI T. (ESP) |
| 67 | MOSAKHLISHVILI T. (ESP) | 68 | BEKAURI L. (GEO) |
| 69 | BEKAURI L. (GEO) | 70 | BEKAURI L. (GEO) |

FINAL RESULTS

- BOBONOV Davlat (UZB)
- PARLATI Christian (ITA)
- MAISURADZE Luka (GEO)
- BEKAURI Lasha (GEO)
- SILVA MORALES Ivan Felipe (CUB)
- MOSAKHLISHVILI Tristani (ESP)
- GOMES Marcelo (BRA)
- IVANOV Ivaylo (BUL)





Tashkent World Championships Senior 2022

Uzbekistan, Tashkent, 6-12 Oct 2022

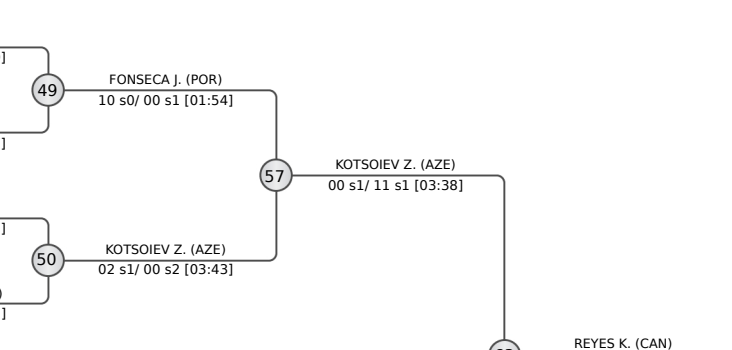
-100 kg

Seniors (41)

POOL A

| | | |
|----|-------------------------|-----|
| 1 | FONSECA Jorge | POR |
| 2 | GONZALEZ Asley | ROU |
| 3 | CATHARINA Simeon | NED |
| 4 | IIDA Kentaro | JPN |
| 5 | DOSEN Bojan | SRB |
| 6 | KOTSOIEV Zelym | AZE |
| 7 | EICH Daniel | SUI |
| 8 | BOUAMAR Mustapha Yasser | ALG |
| 9 | SHARKHAN Nuriykhon | KAZ |
| 10 | WON Jonghoon | KOR |

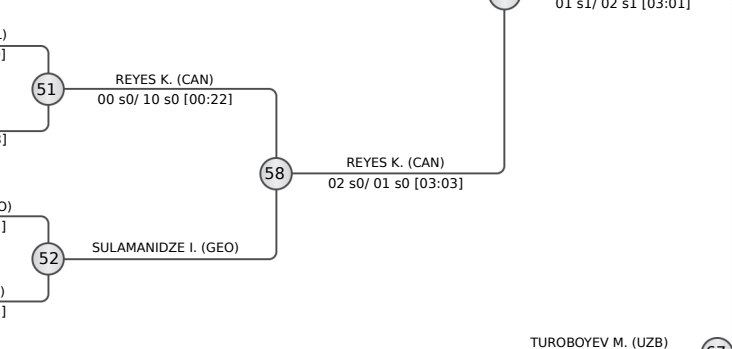
| | | | |
|----|-------------------|----|--------------------------|
| 1 | FONSECA J. (POR) | 33 | FONSECA J. (POR) |
| 2 | GONZALEZ A. (ROU) | 34 | DOSEN B. (SRB) |
| 3 | IIDA K. (JPN) | 35 | KOTSOIEV Z. (AZE) |
| 4 | DOSEN B. (SRB) | 36 | SHARKHAN N. (KAZ) |
| 5 | KOTSOIEV Z. (AZE) | 37 | BATKHUYAG G. (MGL) |
| 6 | EICH D. (SUI) | 38 | REYES K. (CAN) |
| 7 | BOUAMAR M. (ALG) | 39 | SULAMANIDZE I. (GEO) |
| 8 | SHARKHAN N. (KAZ) | 40 | SISMANLAR M. (TUR) |
| 9 | WON J. (KOR) | 41 | ELNAHAS S. (CAN) |
| 10 | WON J. (KOR) | 42 | SHERAZADISHVILI N. (ESP) |
| 11 | WON J. (KOR) | 43 | LIPARTELIANI V. (GEO) |
| 12 | WON J. (KOR) | 44 | TUROBOYEV M. (UZB) |
| 13 | WON J. (KOR) | 45 | KORREL M. (NED) |
| 14 | WON J. (KOR) | 46 | BUZACARINI R. (BRA) |
| 15 | WON J. (KOR) | 47 | NIKIFOROV T. (BEL) |
| 16 | WON J. (KOR) | 48 | VEG Z. (HUN) |
| 17 | WON J. (KOR) | 49 | FONSECA J. (POR) |
| 18 | WON J. (KOR) | 50 | KOTSOIEV Z. (AZE) |
| 19 | WON J. (KOR) | 51 | REYES K. (CAN) |
| 20 | WON J. (KOR) | 52 | SULAMANIDZE I. (GEO) |
| 21 | WON J. (KOR) | 53 | ELNAHAS S. (CAN) |
| 22 | WON J. (KOR) | 54 | TUROBOYEV M. (UZB) |
| 23 | WON J. (KOR) | 55 | KORREL M. (NED) |
| 24 | WON J. (KOR) | 56 | NIKIFOROV T. (BEL) |
| 25 | WON J. (KOR) | 57 | KOTSOIEV Z. (AZE) |
| 26 | WON J. (KOR) | 58 | REYES K. (CAN) |
| 27 | WON J. (KOR) | 59 | TUROBOYEV M. (UZB) |
| 28 | WON J. (KOR) | 60 | KORREL M. (NED) |
| 29 | WON J. (KOR) | 61 | SULAMANIDZE I. (GEO) |
| 30 | WON J. (KOR) | 62 | NIKIFOROV T. (BEL) |
| 31 | WON J. (KOR) | 63 | REYES K. (CAN) |
| 32 | WON J. (KOR) | 64 | TUROBOYEV M. (UZB) |
| 33 | WON J. (KOR) | 65 | KORREL M. (NED) |
| 34 | WON J. (KOR) | 66 | KOTSOIEV Z. (AZE) |
| 35 | WON J. (KOR) | 67 | TUROBOYEV M. (UZB) |



POOL B

| | | |
|----|------------------------|-----|
| 9 | PALTCHIK Peter | ISR |
| 10 | BATKHUYAG Gonchigsuren | MGL |
| 11 | MATASEJE Benjamin | SVK |
| 12 | CIRJENICS Miklos | HUN |
| 13 | REYES Kyle | CAN |
| 14 | SULAMANIDZE Ilia | GEO |
| 15 | HERBST Daniel | GER |
| 16 | KUMRIC Marko | CRO |
| 17 | SISMANLAR Mert | TUR |
| 18 | KHANKAN Adnan | IRT |
| 19 | LIVEZE Kenny | FRA |

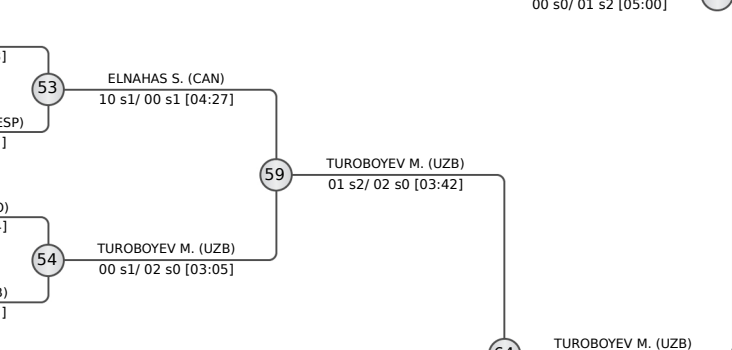
| | | | |
|----|----------------------|----|--------------------------|
| 9 | PALTCHIK P. (ISR) | 37 | BATKHUYAG G. (MGL) |
| 10 | BATKHUYAG G. (MGL) | 38 | REYES K. (CAN) |
| 11 | MATASEJE B. (SVK) | 39 | SULAMANIDZE I. (GEO) |
| 12 | REYES K. (CAN) | 40 | SISMANLAR M. (TUR) |
| 13 | SULAMANIDZE I. (GEO) | 41 | ELNAHAS S. (CAN) |
| 14 | HERBST D. (GER) | 42 | SHERAZADISHVILI N. (ESP) |
| 15 | KUMRIC M. (CRO) | 43 | LIPARTELIANI V. (GEO) |
| 16 | SISMANLAR M. (TUR) | 44 | TUROBOYEV M. (UZB) |
| 17 | KHANKAN A. (IRT) | 45 | KORREL M. (NED) |
| 18 | LIVEZE K. (FRA) | 46 | BUZACARINI R. (BRA) |
| 19 | LIVEZE K. (FRA) | 47 | NIKIFOROV T. (BEL) |
| 20 | LIVEZE K. (FRA) | 48 | VEG Z. (HUN) |
| 21 | LIVEZE K. (FRA) | 49 | FONSECA J. (POR) |
| 22 | LIVEZE K. (FRA) | 50 | KOTSOIEV Z. (AZE) |
| 23 | LIVEZE K. (FRA) | 51 | REYES K. (CAN) |
| 24 | LIVEZE K. (FRA) | 52 | SULAMANIDZE I. (GEO) |
| 25 | LIVEZE K. (FRA) | 53 | ELNAHAS S. (CAN) |
| 26 | LIVEZE K. (FRA) | 54 | TUROBOYEV M. (UZB) |
| 27 | LIVEZE K. (FRA) | 55 | KORREL M. (NED) |
| 28 | LIVEZE K. (FRA) | 56 | NIKIFOROV T. (BEL) |
| 29 | LIVEZE K. (FRA) | 57 | KOTSOIEV Z. (AZE) |
| 30 | LIVEZE K. (FRA) | 58 | REYES K. (CAN) |
| 31 | LIVEZE K. (FRA) | 59 | TUROBOYEV M. (UZB) |
| 32 | LIVEZE K. (FRA) | 60 | KORREL M. (NED) |
| 33 | LIVEZE K. (FRA) | 61 | SULAMANIDZE I. (GEO) |
| 34 | LIVEZE K. (FRA) | 62 | NIKIFOROV T. (BEL) |
| 35 | LIVEZE K. (FRA) | 63 | REYES K. (CAN) |
| 36 | LIVEZE K. (FRA) | 64 | TUROBOYEV M. (UZB) |
| 37 | LIVEZE K. (FRA) | 65 | KORREL M. (NED) |
| 38 | LIVEZE K. (FRA) | 66 | KOTSOIEV Z. (AZE) |
| 39 | LIVEZE K. (FRA) | 67 | TUROBOYEV M. (UZB) |



POOL C

| | | |
|----|-------------------------|-----|
| 17 | ELNAHAS Shady | CAN |
| 18 | KOBENA Koffi Kremer | CIV |
| 19 | KUKOLJ Aleksandar | SRB |
| 20 | ABUBAKRI Akobir | TJK |
| 21 | SHERAZADISHVILI Nikoloz | ESP |
| 22 | LIPARTELIANI Varlam | GEO |
| 23 | MINASKIN Grigori | EST |
| 24 | KUMRIC Zlatko | CRO |
| 25 | TUROBOYEV Muzaffarbek | UZB |
| 26 | SMITH III L.A. | USA |

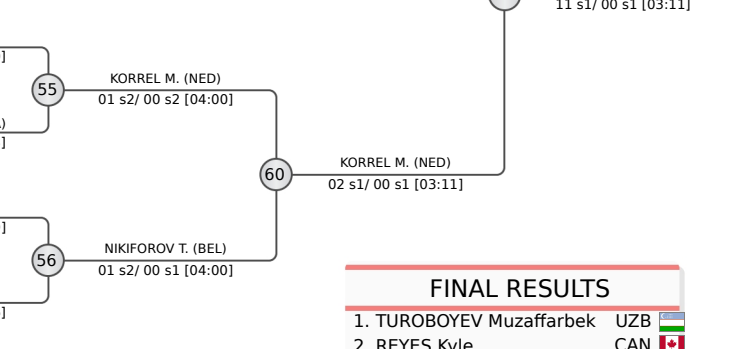
| | | | |
|----|--------------------------|----|--------------------------|
| 17 | ELNAHAS S. (CAN) | 41 | ELNAHAS S. (CAN) |
| 18 | KOBENA K. (CIV) | 42 | SHERAZADISHVILI N. (ESP) |
| 19 | KUKOLJ A. (SRB) | 43 | LIPARTELIANI V. (GEO) |
| 20 | ABUBAKRI A. (TJK) | 44 | TUROBOYEV M. (UZB) |
| 21 | SHERAZADISHVILI N. (ESP) | 45 | KORREL M. (NED) |
| 22 | LIPARTELIANI V. (GEO) | 46 | BUZACARINI R. (BRA) |
| 23 | MINASKIN G. (EST) | 47 | NIKIFOROV T. (BEL) |
| 24 | KUMRIC Z. (CRO) | 48 | VEG Z. (HUN) |
| 25 | TUROBOYEV M. (UZB) | 49 | FONSECA J. (POR) |
| 26 | SMITH III L. (USA) | 50 | KOTSOIEV Z. (AZE) |
| 27 | SMITH III L. (USA) | 51 | REYES K. (CAN) |
| 28 | SMITH III L. (USA) | 52 | SULAMANIDZE I. (GEO) |
| 29 | SMITH III L. (USA) | 53 | ELNAHAS S. (CAN) |
| 30 | SMITH III L. (USA) | 54 | TUROBOYEV M. (UZB) |
| 31 | SMITH III L. (USA) | 55 | KORREL M. (NED) |
| 32 | SMITH III L. (USA) | 56 | NIKIFOROV T. (BEL) |
| 33 | SMITH III L. (USA) | 57 | KOTSOIEV Z. (AZE) |
| 34 | SMITH III L. (USA) | 58 | REYES K. (CAN) |
| 35 | SMITH III L. (USA) | 59 | TUROBOYEV M. (UZB) |
| 36 | SMITH III L. (USA) | 60 | KORREL M. (NED) |
| 37 | SMITH III L. (USA) | 61 | SULAMANIDZE I. (GEO) |
| 38 | SMITH III L. (USA) | 62 | NIKIFOROV T. (BEL) |
| 39 | SMITH III L. (USA) | 63 | REYES K. (CAN) |
| 40 | SMITH III L. (USA) | 64 | TUROBOYEV M. (UZB) |
| 41 | SMITH III L. (USA) | 65 | KORREL M. (NED) |
| 42 | SMITH III L. (USA) | 66 | KOTSOIEV Z. (AZE) |
| 43 | SMITH III L. (USA) | 67 | TUROBOYEV M. (UZB) |



POOL D

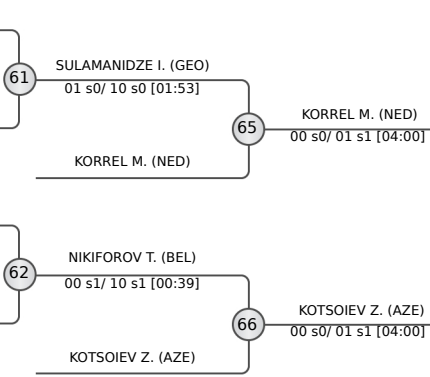
| | | |
|----|--------------------|-----|
| 25 | KORREL Michael | NED |
| 26 | FARA Aaron | AUT |
| 27 | MADSEN Mathias | DEN |
| 28 | BOZBAYEV Islam | KAZ |
| 29 | BUZACARINI Rafael | BRA |
| 30 | NIKIFOROV Toma | BEL |
| 31 | GEORGIEV Boris | BUL |
| 32 | KOSTOEV Dzhafar | UAE |
| 33 | VEG Zsombor | HUN |
| 34 | BEN GHARES Koussay | TUN |

| | | | |
|----|---------------------|----|----------------------|
| 25 | KORREL M. (NED) | 45 | KORREL M. (NED) |
| 26 | FARA A. (AUT) | 46 | BUZACARINI R. (BRA) |
| 27 | MADSEN M. (DEN) | 47 | NIKIFOROV T. (BEL) |
| 28 | BOZBAYEV I. (KAZ) | 48 | VEG Z. (HUN) |
| 29 | BUZACARINI R. (BRA) | 49 | FONSECA J. (POR) |
| 30 | NIKIFOROV T. (BEL) | 50 | KOTSOIEV Z. (AZE) |
| 31 | GEORGIEV B. (BUL) | 51 | REYES K. (CAN) |
| 32 | KOSTOEV D. (UAE) | 52 | SULAMANIDZE I. (GEO) |
| 33 | VEG Z. (HUN) | 53 | ELNAHAS S. (CAN) |
| 34 | BEN GHARES K. (TUN) | 54 | TUROBOYEV M. (UZB) |
| 35 | BEN GHARES K. (TUN) | 55 | KORREL M. (NED) |
| 36 | BEN GHARES K. (TUN) | 56 | NIKIFOROV T. (BEL) |
| 37 | BEN GHARES K. (TUN) | 57 | KOTSOIEV Z. (AZE) |
| 38 | BEN GHARES K. (TUN) | 58 | REYES K. (CAN) |
| 39 | BEN GHARES K. (TUN) | 59 | TUROBOYEV M. (UZB) |
| 40 | BEN GHARES K. (TUN) | 60 | KORREL M. (NED) |
| 41 | BEN GHARES K. (TUN) | 61 | SULAMANIDZE I. (GEO) |
| 42 | BEN GHARES K. (TUN) | 62 | NIKIFOROV T. (BEL) |
| 43 | BEN GHARES K. (TUN) | 63 | REYES K. (CAN) |
| 44 | BEN GHARES K. (TUN) | 64 | TUROBOYEV M. (UZB) |
| 45 | BEN GHARES K. (TUN) | 65 | KORREL M. (NED) |
| 46 | BEN GHARES K. (TUN) | 66 | KOTSOIEV Z. (AZE) |
| 47 | BEN GHARES K. (TUN) | 67 | TUROBOYEV M. (UZB) |



REPECHAGE

| | | | |
|----|----------------------|----|--------------------|
| 61 | FONSECA J. (POR) | 65 | KORREL M. (NED) |
| 62 | SULAMANIDZE I. (GEO) | 66 | KOTSOIEV Z. (AZE) |
| 63 | ELNAHAS S. (CAN) | 67 | TUROBOYEV M. (UZB) |
| 64 | NIKIFOROV T. (BEL) | 68 | TUROBOYEV M. (UZB) |



FINAL RESULTS

1. TUROBOYEV Muzaffarbek UZB
2. REYES Kyle CAN
3. KORREL Michael NED
4. KOTSOIEV Zelym AZE
5. SULAMANIDZE Ilia GEO
6. NIKIFOROV Toma BEL
7. ELNAHAS Shady CAN
8. FONSECA Jorge POR





Tashkent World Championships Senior 2022

Uzbekistan, Tashkent, 6-12 Oct 2022

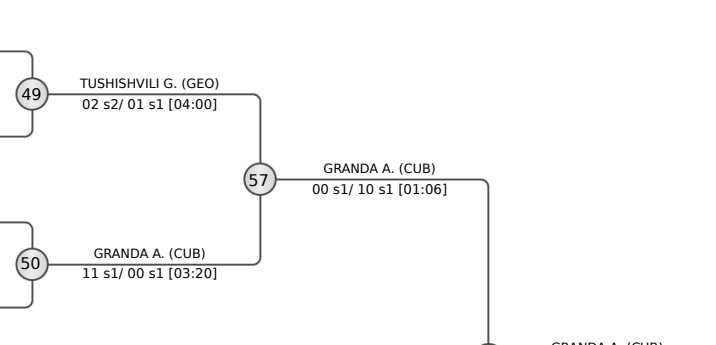
+100 kg

Seniors (36)

POOL A

| | | | |
|--|----------------------------------|-----|---|
| | TUSHISHVILI Guram | GEO | 1 |
| | SIMIONESCU Vladut | ROU | 2 |
| | DRAGIC Vito | SLO | 3 |
| | FOFANA Moustapha | GUI | 4 |
| | FREY Johannes | GER | 5 |
| | GRANDA Andy | CUB | 6 |
| | SIPOCZ Richard | HUN | 7 |
| | POLNEAU Boduit Wilfried Anderson | CIV | 8 |
| | ALLERSTORFER Daniel | AUT | 9 |

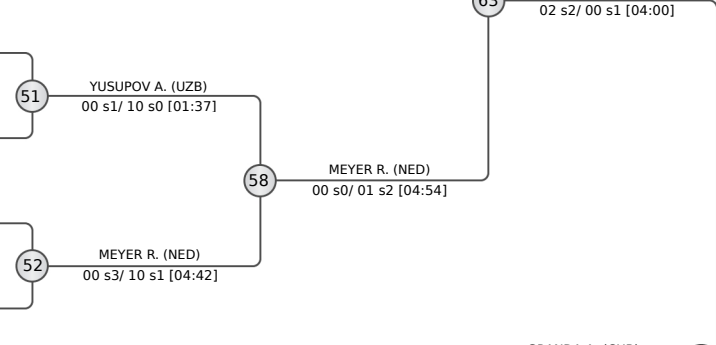
| | | | |
|---|-----------------------|----------------------|-----------------------|
| 1 | TUSHISHVILI G. (GEO) | 33 | TUSHISHVILI G. (GEO) |
| 2 | DRAGIC V. (SLO) | 00 s0/ 10 s0 [00:00] | 10 s0/ 00 s0 [01:37] |
| 3 | FOFANA M. (GUI) | | |
| 4 | FREY J. (GER) | 34 | FREY J. (GER) |
| 5 | FREY J. (GER) | 00 s0/ 10 s0 [00:21] | |
| 6 | GRANDA A. (CUB) | | |
| 7 | SIPOCZ R. (HUN) | 35 | GRANDA A. (CUB) |
| 8 | POLNEAU B. (CIV) | 01 s2/ 00 s1 [04:33] | |
| 9 | ALLERSTORFER D. (AUT) | 36 | ALLERSTORFER D. (AUT) |
| | ALLERSTORFER D. (AUT) | 00 s0/ 10 s0 [00:54] | |



POOL B

| | | | |
|--|-----------------------|-----|----|
| | SILVA Rafael | BRA | 9 |
| | DESCHENES Marc | CAN | 10 |
| | LI Ruixuan | CHN | 11 |
| | KAZHYBAYEV Yerassyl | KAZ | 12 |
| | YUSUPOV Alisher | UZB | 13 |
| | ODKHUU Tsetsentsengel | MGL | 14 |
| | ANDREWS Kody | NZL | 15 |
| | MEYER Roy | NED | 16 |
| | AGRO SYLVAIN Lorenzo | ITA | 17 |

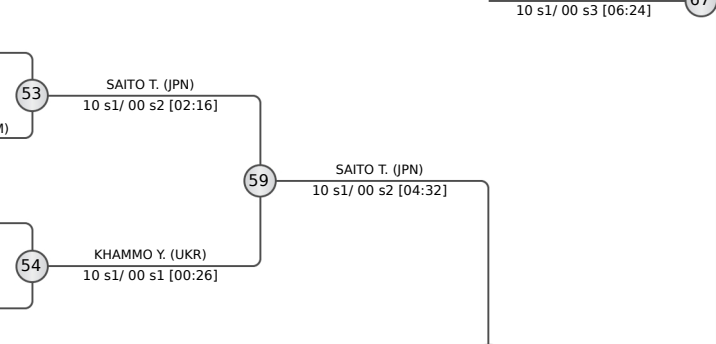
| | | | |
|----|---------------------|----------------------|----------------------|
| 9 | SILVA R. (BRA) | 37 | SILVA R. (BRA) |
| 10 | LI R. (CHN) | 00 s2/ 01 s1 [04:00] | 10 s2/ 00 s3 [04:52] |
| 11 | KAZHYBAYEV Y. (KAZ) | | |
| 12 | YUSUPOV A. (UZB) | 38 | YUSUPOV A. (UZB) |
| 13 | YUSUPOV A. (UZB) | 00 s1/ 02 s1 [01:48] | |
| 14 | ODKHUU T. (MGL) | | |
| 15 | ANDREWS K. (NZL) | 39 | ODKHUU T. (MGL) |
| 16 | ANDREWS K. (NZL) | 10 s0/ 00 s0 [01:07] | |
| 17 | MEYER R. (NED) | 40 | MEYER R. (NED) |
| | MEYER R. (NED) | 01 s0/ 00 s2 [04:42] | |



POOL C

| | | | |
|--|---------------------------|-----|----|
| | SPIJKERS Jur | NED | 17 |
| | SAITO Tatsuru | JPN | 18 |
| | NOVA ALCANTARA Jose | DOM | 19 |
| | KOMPANIEZ Serafim | ISR | 20 |
| | NDIAYE Mbagnick | SEN | 21 |
| | KHAMMO Yakiv | UKR | 22 |
| | BAKHTIYOROV Shokhrukhkhon | UZB | 23 |
| | CHOTCHAEV Azamat | BRN | 24 |
| | OMAR Cruz Leon | CUB | 25 |

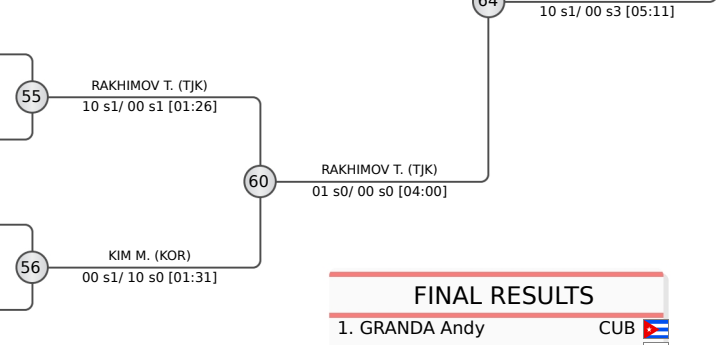
| | | | |
|----|-------------------------|----------------------|-------------------------|
| 17 | SPIJKERS J. (NED) | | |
| 18 | SAITO T. (JPN) | 41 | SAITO T. (JPN) |
| 19 | NOVA ALCANTARA J. (DOM) | | 00 s2/ 10 s2 [07:22] |
| 20 | NDIAYE M. (SEN) | 42 | NOVA ALCANTARA J. (DOM) |
| 21 | NDIAYE M. (SEN) | 00 s2/ 10 s1 [02:43] | 11 s1/ 00 s0 [02:07] |
| 22 | KHAMMO Y. (UKR) | | |
| 23 | BAKHTIYOROV S. (UZB) | 43 | KHAMMO Y. (UKR) |
| 24 | BAKHTIYOROV S. (UZB) | 10 s1/ 00 s2 [03:53] | |
| 25 | CHOTCHAEV A. (BRN) | 44 | CHOTCHAEV A. (BRN) |
| | CHOTCHAEV A. (BRN) | 02 s1/ 00 s2 [03:04] | |



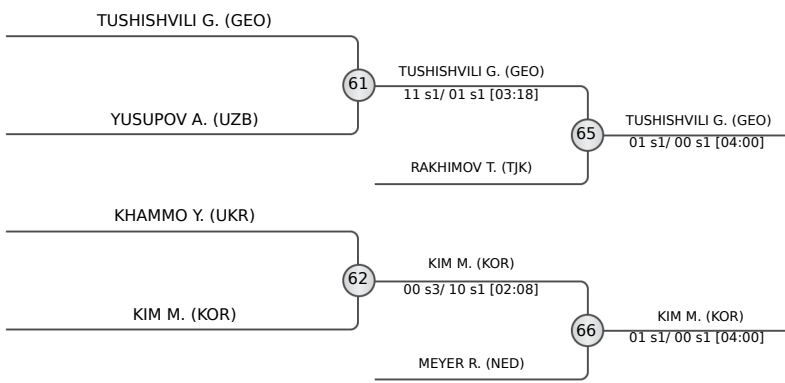
POOL D

| | | | |
|--|--------------------|-----|----|
| | RAKHIMOV Temur | TJK | 25 |
| | FIZEL Marius | SVK | 26 |
| | KONOVAL Christian | USA | 27 |
| | MARINIC Enej | SLO | 28 |
| | TERHEC Joseph | FRA | 29 |
| | KRPALEK Lukas | CZE | 30 |
| | PUUMALAINEN Martti | FIN | 31 |
| | SCHREIBER Jonas | GER | 32 |
| | KIM Minjong | KOR | 33 |

| | | | |
|----|--------------------|----------------------|----------------------|
| 25 | RAKHIMOV T. (TJK) | 45 | RAKHIMOV T. (TJK) |
| 26 | FIZEL M. (SVK) | 11 s0/ 00 s2 [03:37] | 02 s0/ 00 s0 [01:27] |
| 27 | MARINIC E. (SLO) | | |
| 28 | TERHEC J. (FRA) | 46 | TERHEC J. (FRA) |
| 29 | TERHEC J. (FRA) | 00 s0/ 02 s0 [02:20] | |
| 30 | KRPALEK L. (CZE) | 47 | KRPALEK L. (CZE) |
| 31 | KRPALEK L. (CZE) | 01 s1/ 00 s0 [04:28] | |
| 32 | SCHREIBER J. (GER) | 48 | KIM M. (KOR) |
| | SCHREIBER J. (GER) | 00 s0/ 02 s0 [01:04] | |



REPECHAGE



| FINAL RESULTS | | |
|---------------|-------------------|-----|
| 1. | GRANDA Andy | CUB |
| 2. | SAITO Tatsuru | JPN |
| 3. | TUSHISHVILI Guram | GEO |
| 3. | KIM Minjong | KOR |
| 5. | RAKHIMOV Temur | TJK |
| 5. | MEYER Roy | NED |
| 7. | KHAMMO Yakiv | UKR |
| 7. | YUSUPOV Alisher | UZB |

