

POOL A

	CHENE Lukas	PYF
	BAULU Bastien	PYF

CHENE L. (PYF)
113 s0/ 000 s0 [02:18]

POOL B

	ZAHRA James	MLT
	TRAN Kyle	USA

TRAN K. (USA)
010 s0/ 100 s0 [01:37]

POOL C

	LIMARE Vincent	FRA
	SZETO Tsz Hin	HKG

LIMARE V. (FRA)
100 s0/ 000 s0 [00:18]

POOL D

	REIA Rahiti	PYF
	KHAN Gavreil Shanran Loo E	HKG

KHAN G. (HKG)
000 s0/ 100 s0 [00:49]

TRAN K. (USA)
001 s2/ 002 s1 [04:27]

LIMARE V. (FRA)
101 s0/ 000 s0 [01:05]

LIMARE V. (FRA)
000 s0/ 100 s0 [00:16]

11

8

7

1

2

3

4

REPECHAGE

BAULU B. (PYF)

ZAHRA J. (MLT)

SZETO T. (HKG)

REIA R. (PYF)

ZAHRA J. (MLT)
000 s0/ 100 s0 [00:09]

KHAN G. (HKG)

SZETO T. (HKG)
110 s0/ 000 s1 [02:08]

CHENE L. (PYF)

ZAHRA J. (MLT)
100 s0/ 000 s0 [00:14]

SZETO T. (HKG)
100 s0/ 000 s0 [00:14]

5

6

9

10

FINAL RESULTS

- | | | |
|-------------------------------|-----|--|
| 1. LIMARE Vincent | FRA | |
| 2. TRAN Kyle | USA | |
| 3. ZAHRA James | MLT | |
| 3. SZETO Tsz Hin | HKG | |
| 5. KHAN Gavreil Shanran Loo E | HKG | |
| 5. CHENE Lukas | PYF | |

POOL A

	SORGIATI Vincent	FRA
	CHOI Hok Tin	HKG

1 SORGIATI V. (FRA)
100 s0/ 000 s0 [01:17]

POOL B

	AURIACOMBE Antoine	PYF
	LEMAIRE Tamatoa	PYF

2 AURIACOMBE A. (PYF)
110 s0/ 000 s1 [00:43]

POOL C

	WONG Ka Ki	HKG
	YERSIN Jefferson	PYF

3 WONG K. (HKG)
100 s0/ 000 s0 [00:23]

POOL D

	YEUNG Wing Yat	HKG
	BAC Hivatea	PYF

4 BAC H. (PYF)
001 s1/ 002 s0 [04:00]

7 SORGIATI V. (FRA)
101 s0/ 000 s1 [02:20]

8 WONG K. (HKG)
001 s2/ 000 s1 [04:00]

11 SORGIATI V. (FRA)
103 s0/ 000 s1 [03:28]

FINAL RESULTS		
1.	SORGIATI Vincent	FRA
2.	WONG Ka Ki	HKG
3.	BAC Hivatea	PYF
3.	AURIACOMBE Antoine	PYF
5.	CHOI Hok Tin	HKG
5.	YEUNG Wing Yat	HKG

REPECHAGE

CHOI H. (HKG)	5
LEMAIRE T. (PYF)	

CHOI H. (HKG)
020 s2/ 000 s1 [02:46]

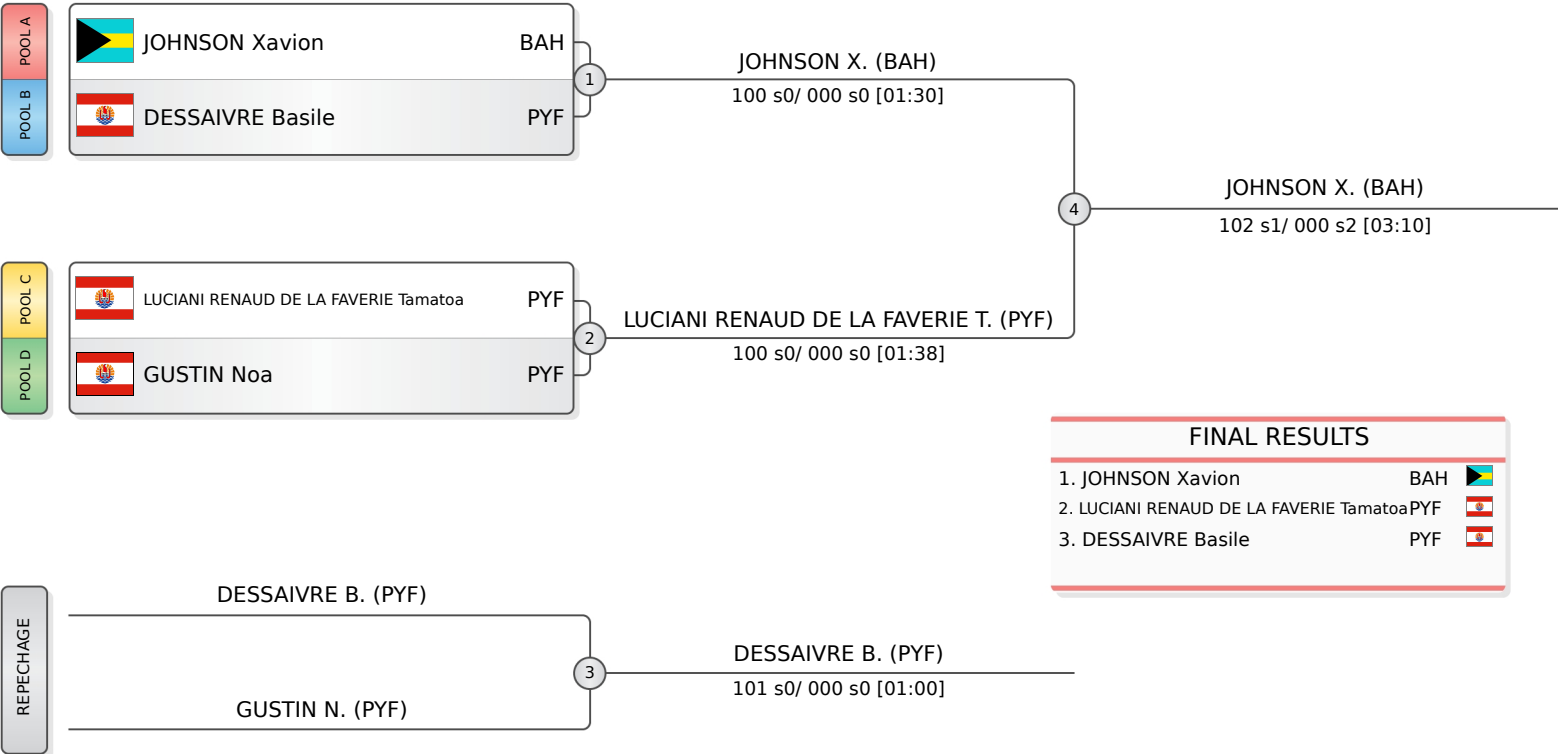
YERSIN J. (PYF)	6
YEUNG W. (HKG)	

6 YEUNG W. (HKG)
011 s1/ 100 s0 [02:20]

9 BAC H. (PYF)
002 s1/ 011 s2 [04:00]

10 AURIACOMBE A. (PYF)
002 s1/ 011 s2 [04:00]





POOL A

BURANI Vincent NCL

POOL B

BORCHASHVILLI Magamed AUT
 MOTESCU Matthieu PYF

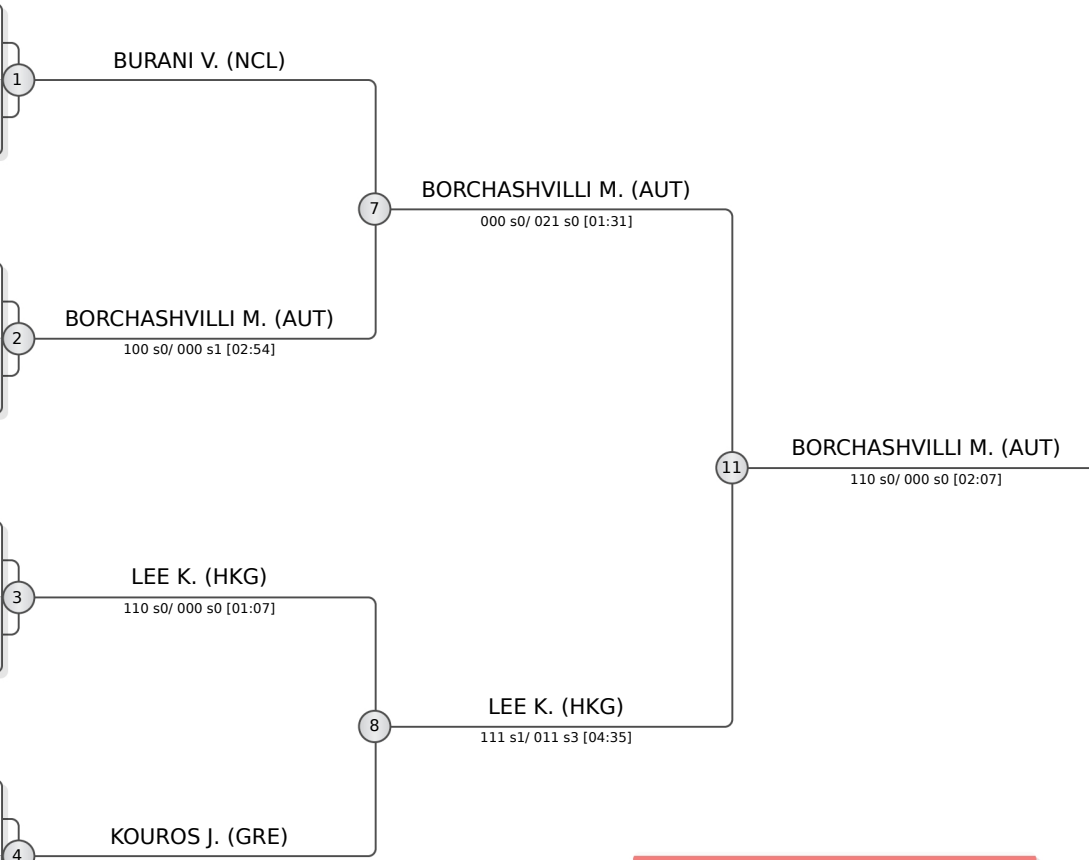
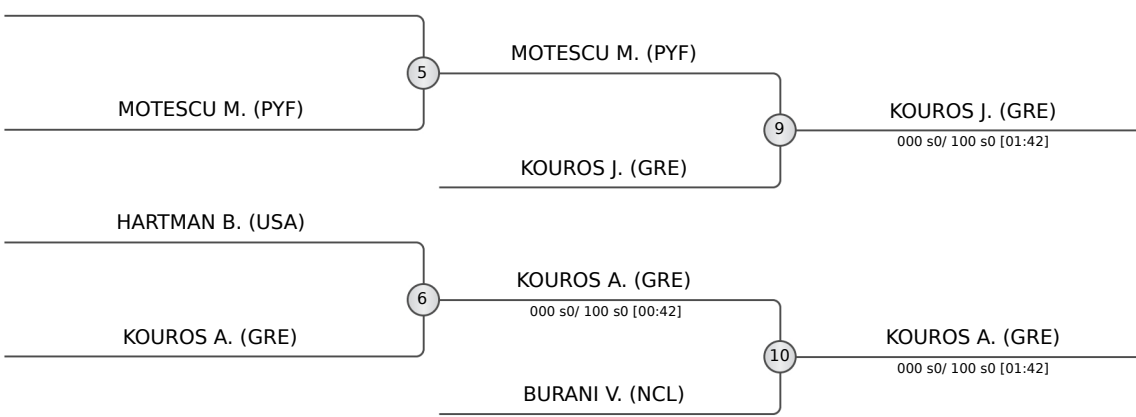
POOL C

LEE Kwok Wing HKG
 HARTMAN Ben USA

POOL D

KOUROS Jordan GRE
 KOUROS Antoni GRE

REPECHAGE



FINAL RESULTS	
1. BORCHASHVILLI Magamed	AUT
2. LEE Kwok Wing	HKG
3. KOUROS Jordan	GRE
3. KOUROS Antoni	GRE



Num.	Competitor	State	1	2	3	Wins	Points
1.	MUTAFYAN Harutyun	United States of America		100	100	2	200
2.	JOLIF Evan	French Polynesia	0		0	0	0
3.	MUDURA Darius	Romania	0	100		1	100

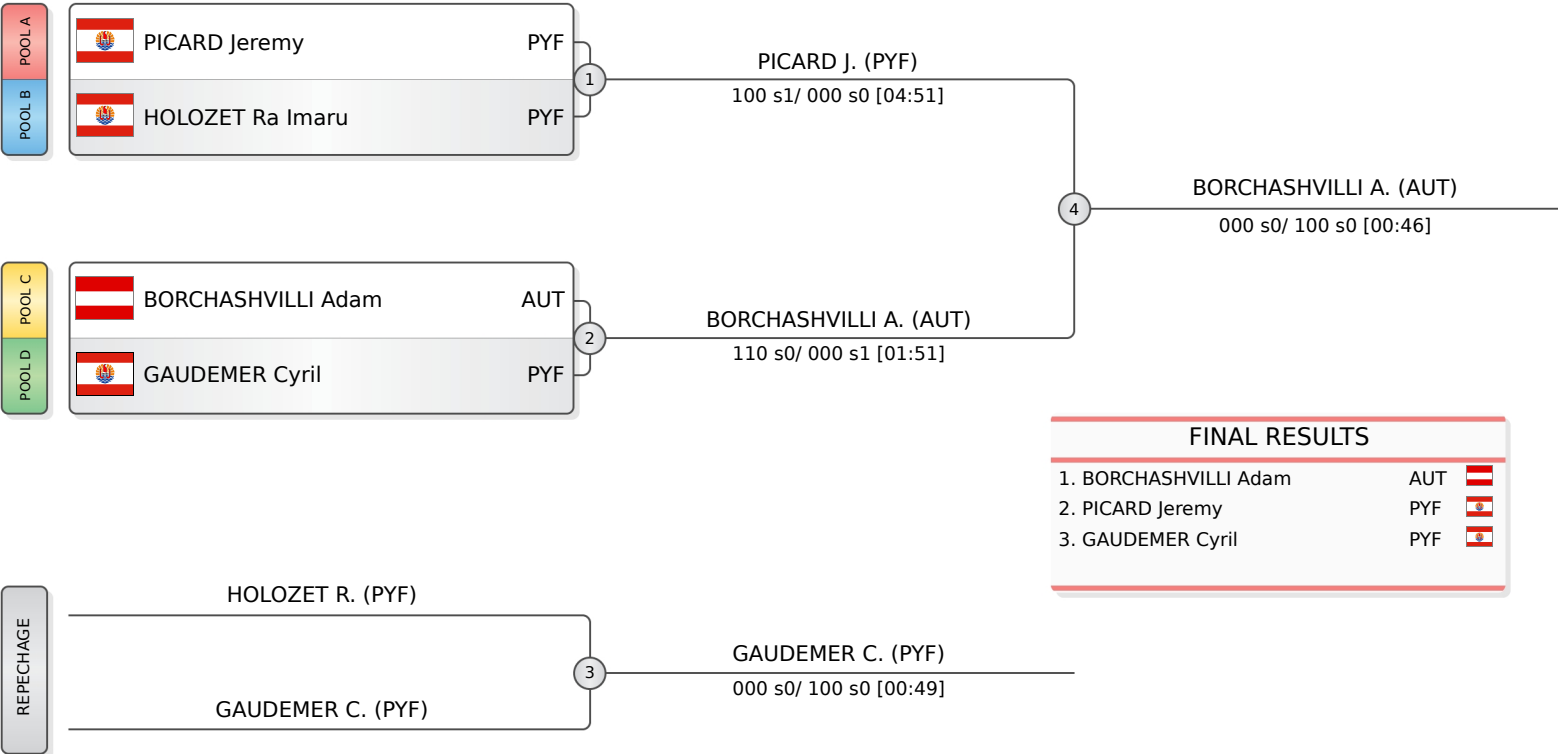
MUTAFYAN Harutyun	USA	1	MUTAFYAN H. (USA)
JOLIF Evan	PYF		021 s0/ 000 s1 [01:52]

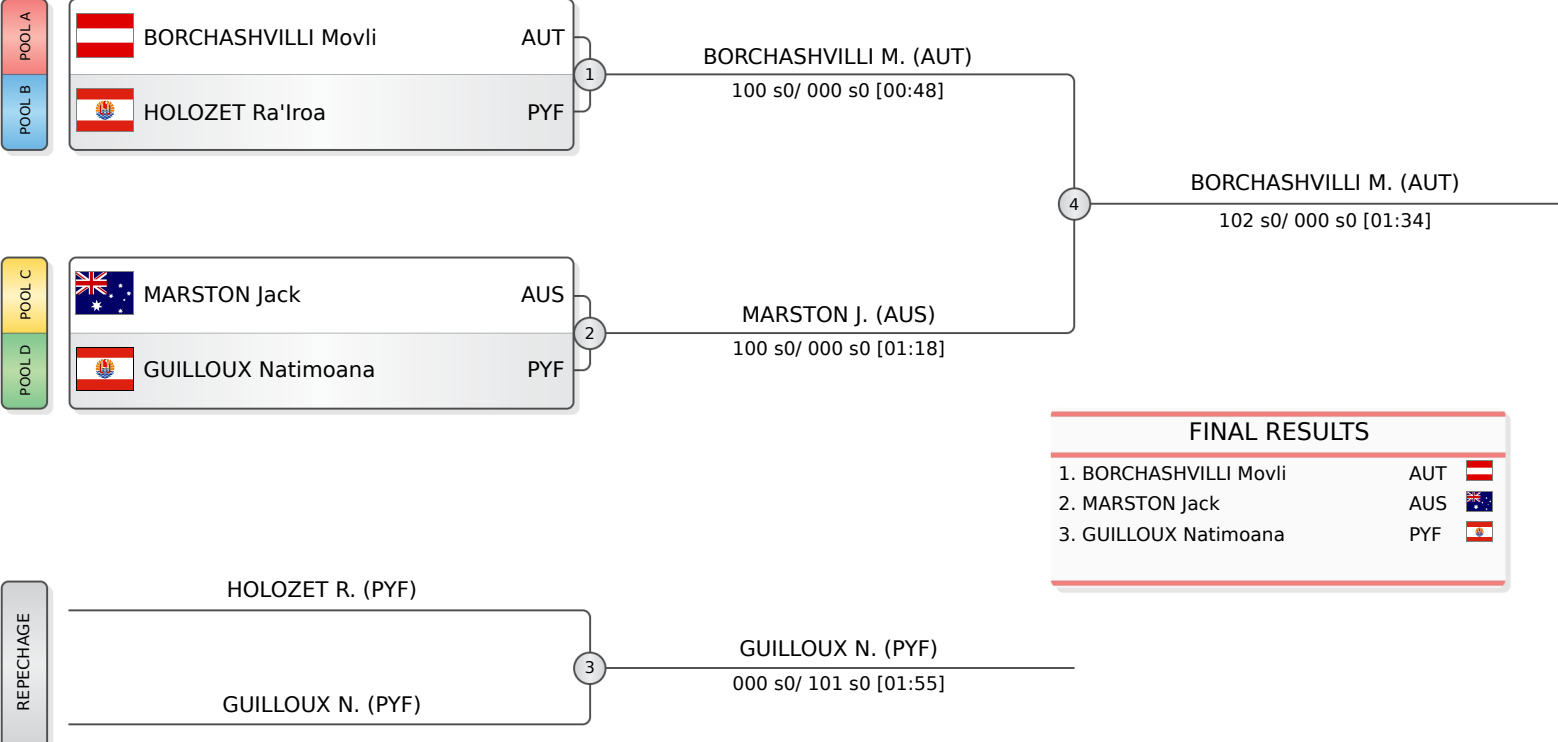
FINAL RESULTS	
1. MUTAFYAN Harutyun	USA
2. MUDURA Darius	ROU

MUTAFYAN Harutyun	USA	2	MUTAFYAN H. (USA)
MUDURA Darius	ROU		100 s0/ 000 s1 [01:35]

JOLIF Evan	PYF	3	MUDURA D. (ROU)
MUDURA Darius	ROU		001 s2/ 101 s2 [03:09]

MUTAFYAN Harutyun	USA	4	MUTAFYAN H. (USA)
MUDURA Darius	ROU		110 s0/ 000 s1 [02:55]





FINAL RESULTS		
1.	BORCHASHVILLI Movli	AUT
2.	MARSTON Jack	AUS
3.	GUILLOUX Natimoana	PYF

Num.	Competitor	State	1	2	3	Wins	Points
1.	POPOFF Ambre	French Polynesia		0	0	0	0
2.	REYES Monica	United States of America	1		0	1	1
3.	METROT Lea	France	100	100		2	200

POPOFF Ambre	PYF
REYES Monica	USA

1

REYES M. (USA)

000 s2/ 001 s0 [04:00]

FINAL RESULTS	
1. METROT Lea	FRA
2. REYES Monica	USA

POPOFF Ambre	PYF
METROT Lea	FRA

2

METROT L. (FRA)

000 s0/ 100 s0 [00:14]

REYES Monica	USA
METROT Lea	FRA

3

METROT L. (FRA)

000 s0/ 100 s0 [00:23]

METROT Lea	FRA
REYES Monica	USA

4

METROT L. (FRA)

100 s0/ 000 s0 [02:56]





Tahiti Oceania Open 2026

French Polynesia, Tahiti, 13-14 Jun 2026

-57 kg

Seniors (2)

Num.	Competitor	State	1	2	Wins	Points
1.	NONNON Auriane	French Polynesia		0	0	0
2.	POPOFF Jade	French Polynesia	100		1	100

NONNON Auriane	PYF
POPOFF Jade	PYF

1

POPOFF J. (PYF)

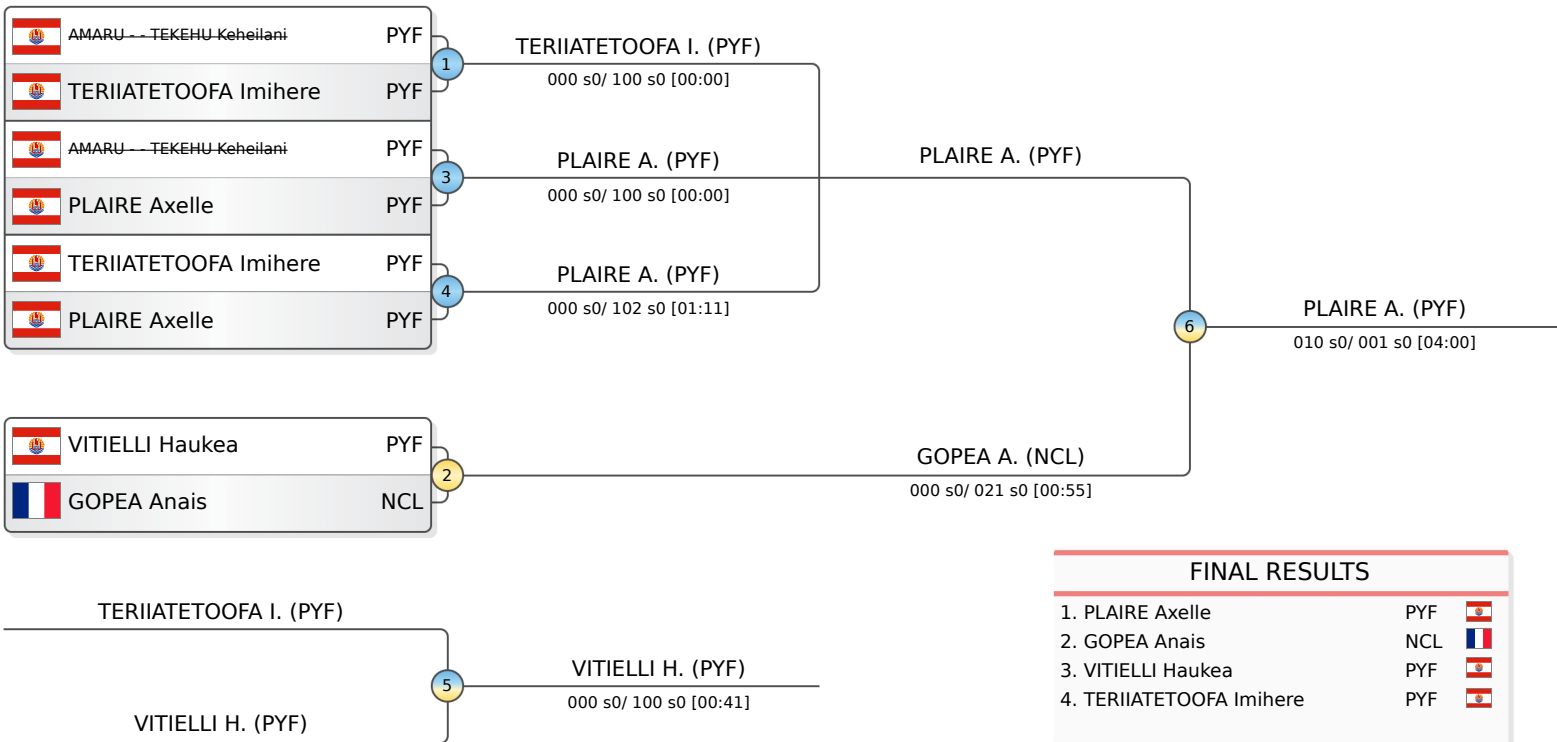
000 s0/ 100 s1 [03:51]

FINAL RESULTS	
1. POPOFF Jade	PYF



Num.	Competitor	State	1	3	5	Wins	Points
1.	AMARU - - TEKEHU Keheilani	French Polynesia		0	0	0	0
3.	TERIIATETOOFA Imihere	French Polynesia	100		0	1	100
5.	PLAIRE Axelle	French Polynesia	100	100		2	200

Num.	Competitor	State	2	4	Wins	Points
2.	VITIELLI Haukea	French Polynesia		0	0	0
4.	GOPEA Anais	New Caledonia	100		0	0



FINAL RESULTS		
1.	PLAIRE Axelle	PYF
2.	GOPEA Anais	NCL
3.	VITIELLI Haukea	PYF
4.	TERIIATETOOFA Imihere	PYF



Tahiti Oceania Open 2026

French Polynesia, Tahiti, 13-14 Jun 2026

-78 kg
Seniors (2)

Num.	Competitor	State	1	2	Wins	Points
1.	NZOSSI ELECKA Carla	French Polynesia		0	0	0
2.	ONUA Lotanna	United States of America	100		1	100

	NZOSSI ELECKA Carla	PYF
	ONUA Lotanna	USA

1

ONUA L. (USA)
001 s1/ 101 s0 [03:13]

FINAL RESULTS	
1. ONUA Lotanna	USA



Num.	Competitor	State	1	2	3	Wins	Points
1.	AZOULAI Laetitia	French Polynesia		100	100	2	200
2.	VERNAUDON Rauhiti	French Polynesia	0		100	1	100
3.	ATKINSON Anna	United States of America	0	0		0	0

AZOULAI Laetitia	PYF	1	AZOULAI L. (PYF)
VERNAUDON Rauhiti	PYF		

101 s0/ 000 s1 [04:19]

FINAL RESULTS		
1. VERNAUDON Rauhiti	PYF	
2. AZOULAI Laetitia	PYF	

AZOULAI Laetitia	PYF	2	AZOULAI L. (PYF)
ATKINSON Anna	USA		

100 s0/ 000 s3 [02:03]

VERNAUDON Rauhiti	PYF	3	VERNAUDON R. (PYF)
ATKINSON Anna	USA		

021 s0/ 000 s1 [02:29]

AZOULAI Laetitia	PYF	4	VERNAUDON R. (PYF)
VERNAUDON Rauhiti	PYF		

000 s0/ 001 s1 [04:00]

